



Sherbrooke, April 26, 2018

Notification

Attn.: All Logiflex distributors and representatives

RECEPTION DESK AVAILABLE MODIFICATIONS

Logiflex offers a wide range of reception desks you can tweak to make your furniture unique. You may modify Logiflex products in a limited way to create your perfect office space planning solutions. Add contrasting accent colors on the fronts of the furniture, or just change their dimensions to add a bit of flair and help them mesh with the room. Whether you want to change the configurations for greater efficiency or more work space, let Logiflex's experts help you build the ideal furniture.

AVAILABLE ALTERATIONS:

1. Changes to length, depth and height measurements for standard products;
2. Configuration changes;
3. Personalized options.

Logiflex will not create new styles of reception desks but will modify existing standard reception desk configurations to meet your needs. You will find in the following pages a few examples to better understand the possibilities Logiflex offers.

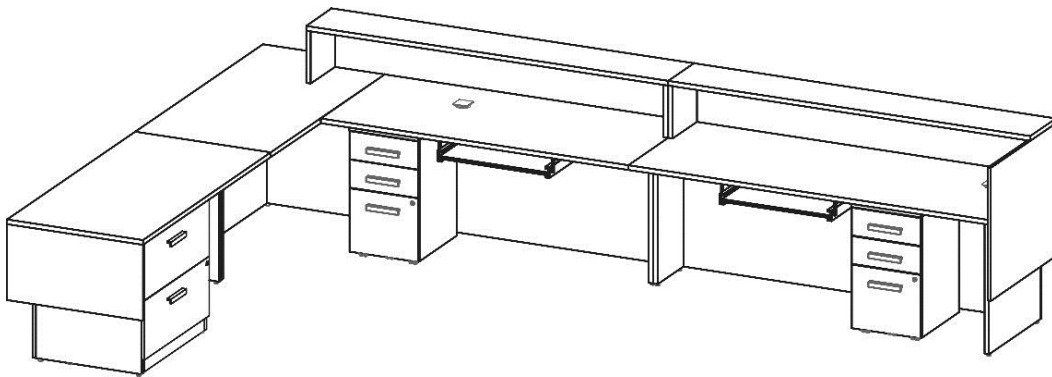
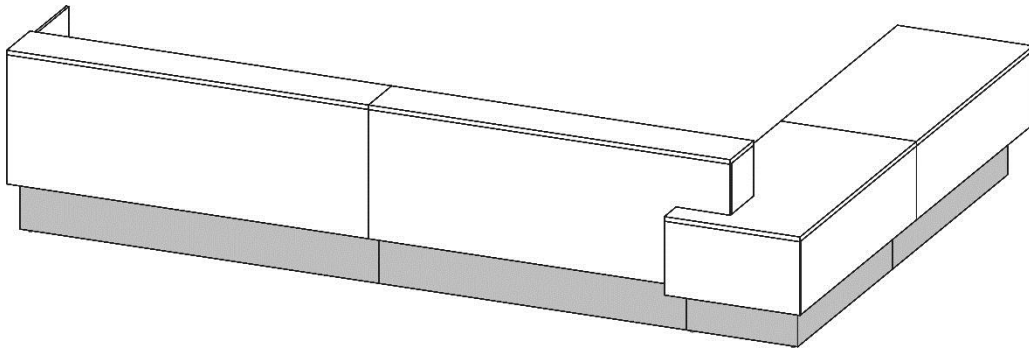
We appreciate and value your business and thank you for your understanding. If you have any questions or comments, please contact your account manager at 1-877-864-9323.

Best regards,

The Logiflex team

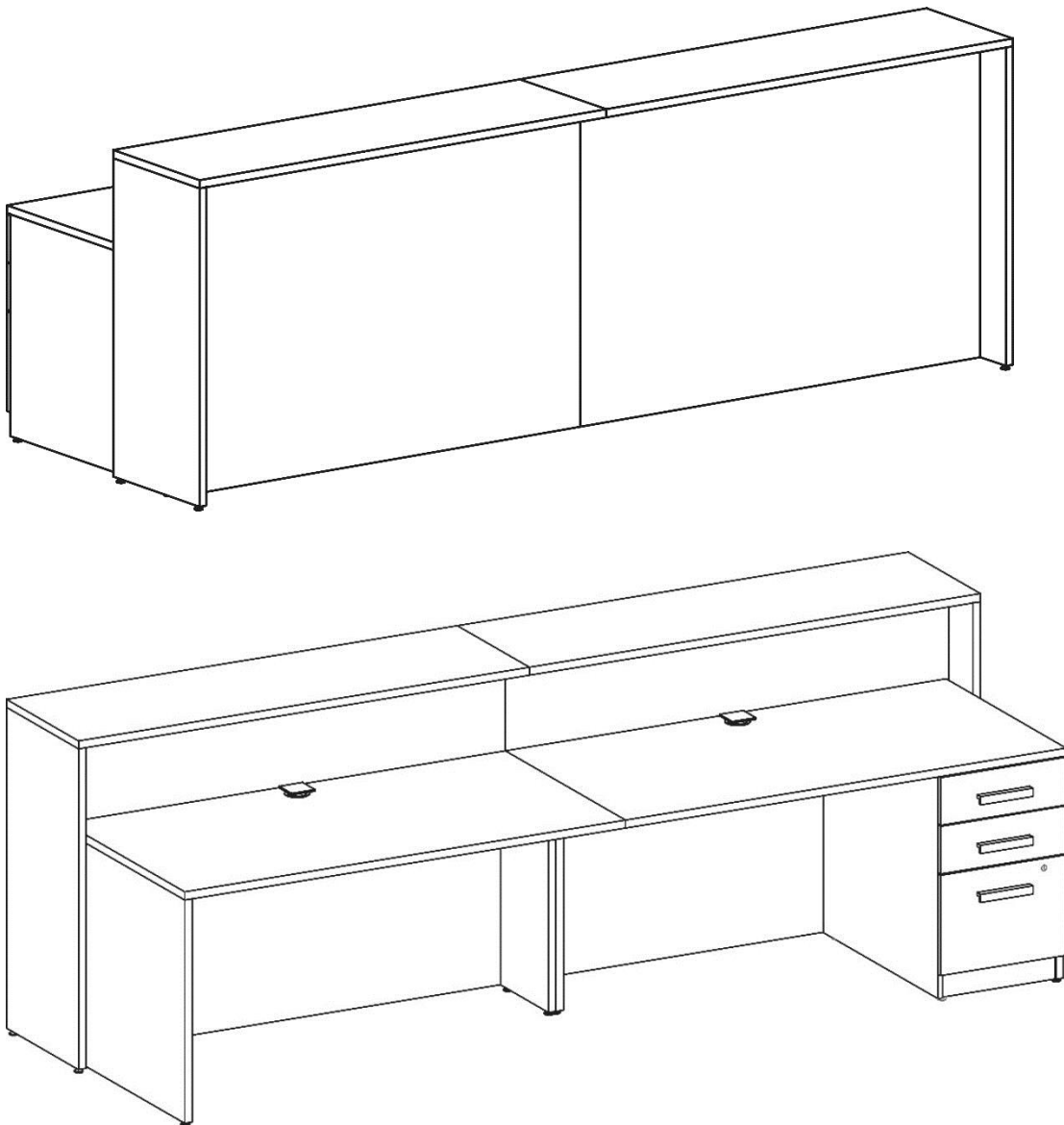
Changes to measurements for standard products

Example of an oversized Inbox reception desk



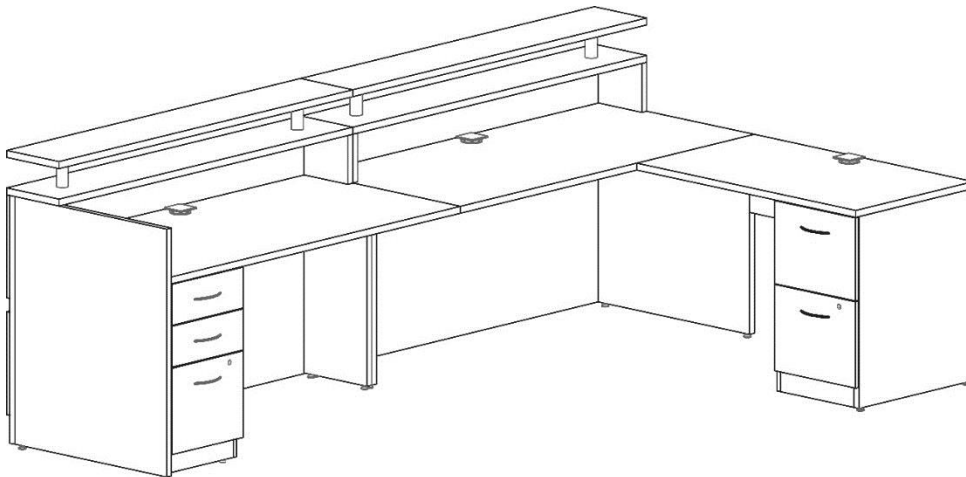
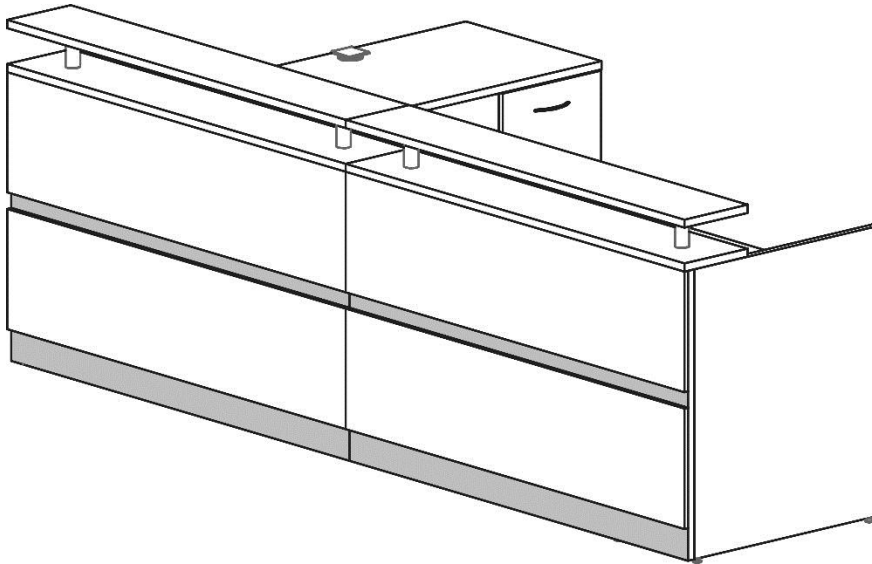
Changes to measurements for standard products

Example of an oversized M-Brace reception desk



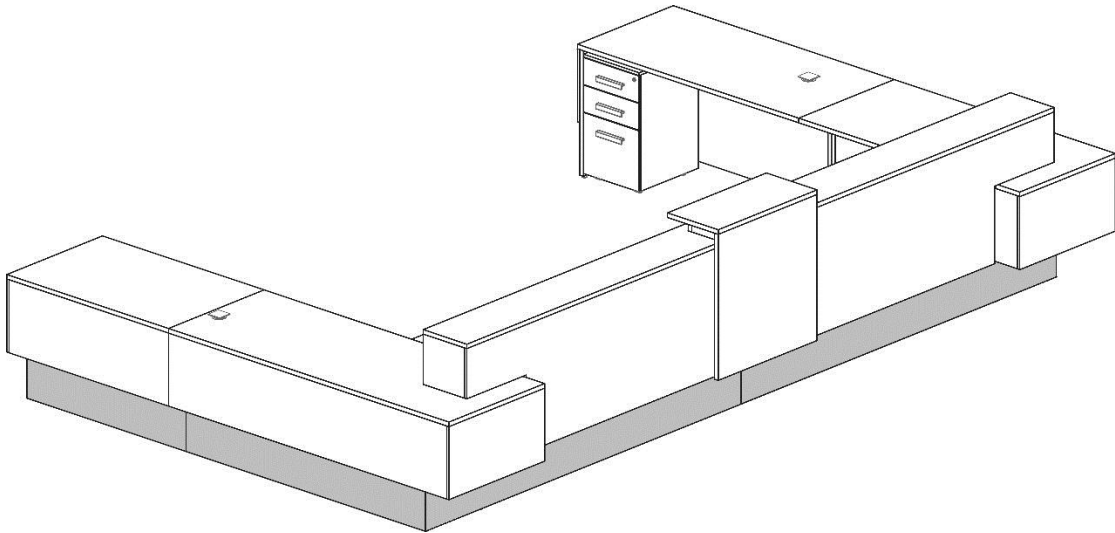
Changes to measurements for standard products

Example of a 3K oversized reception desk



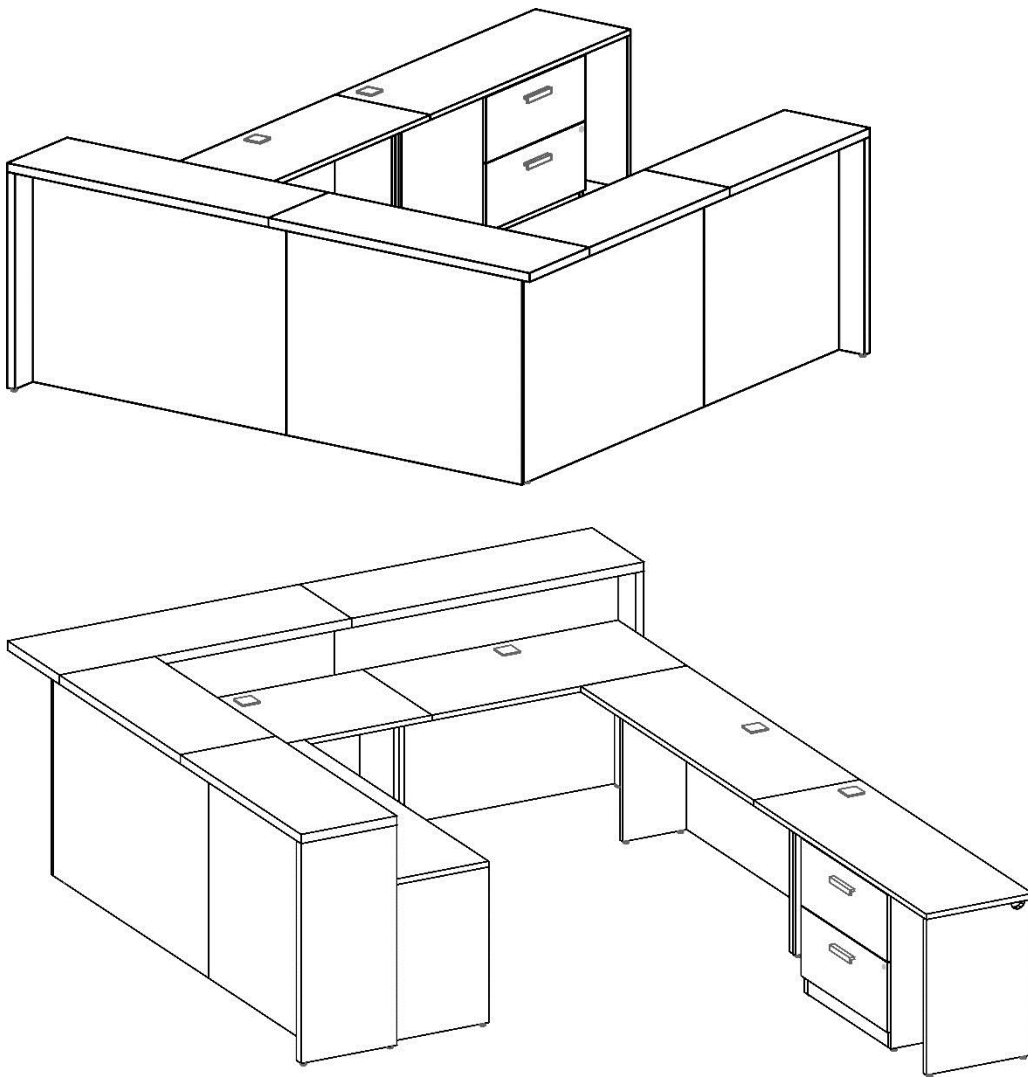
Configuration changes

Example to changes on a standard configuration of an Inbox reception desk. Here, a right and left L-shaped counters have been assembled with one transaction top shared between the two creating an extra large U-shaped reception desk with a low counter on each side.



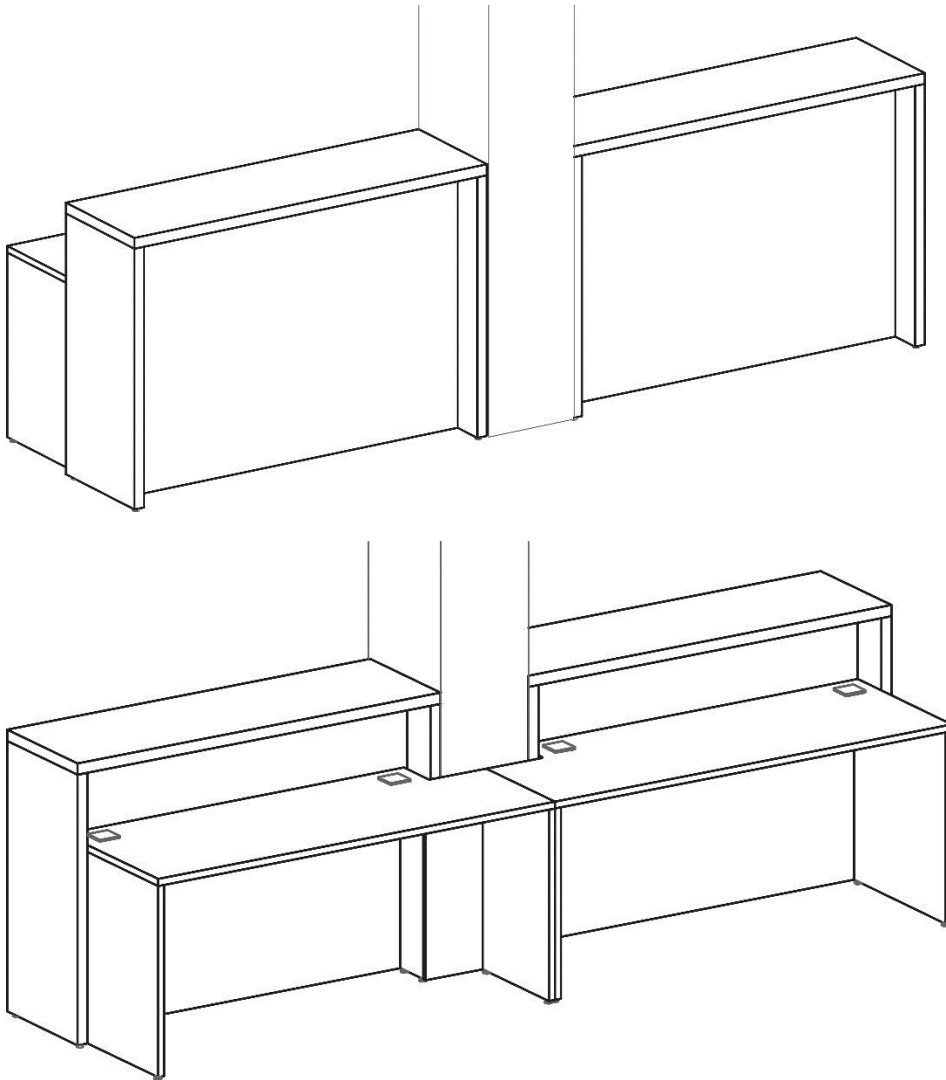
Configuration changes

Example to changes on a standard configuration of an M-Brace reception desk. A standard corner reception counter has extensions added on each extremity to create a longer reception desk.



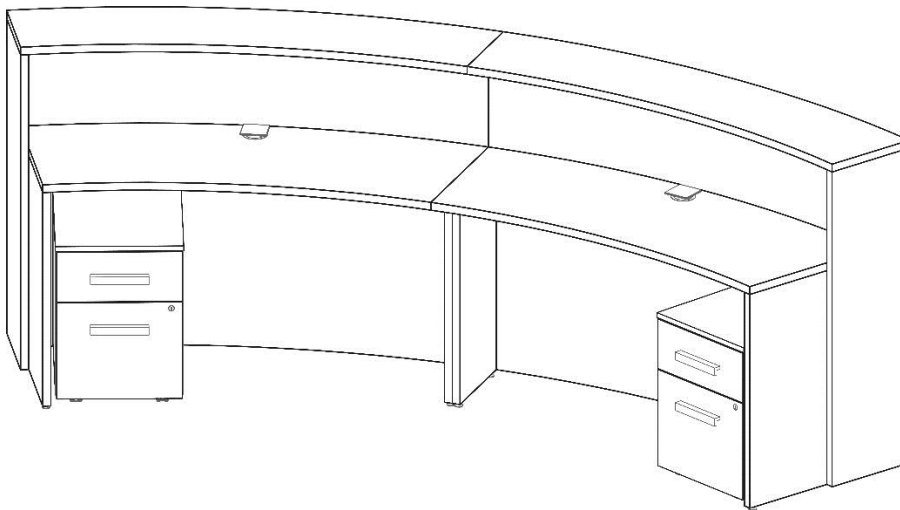
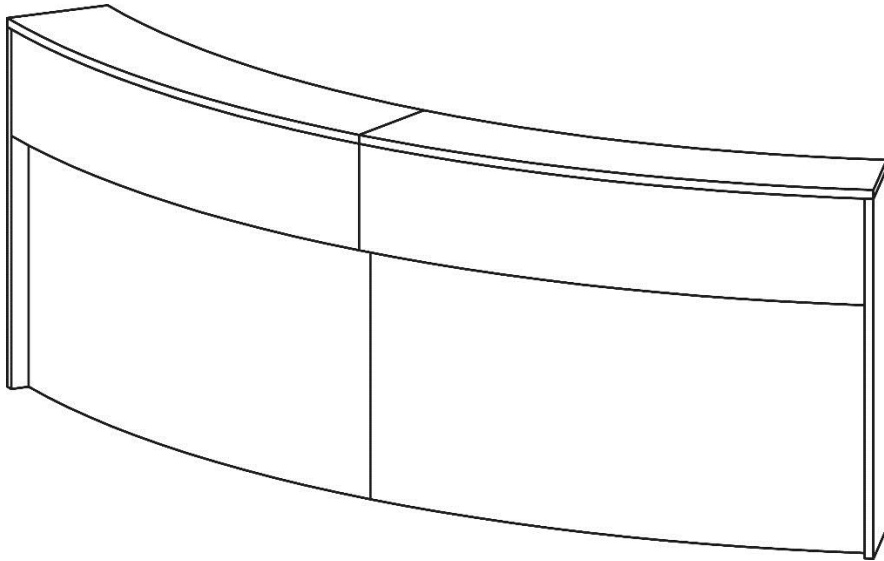
Configuration changes

Example to changes on a standard configuration of an M-Brace reception desk. Here, we demonstrate that it is possible to make a cut-out in the reception desk to contour the shape of a post in your layout.



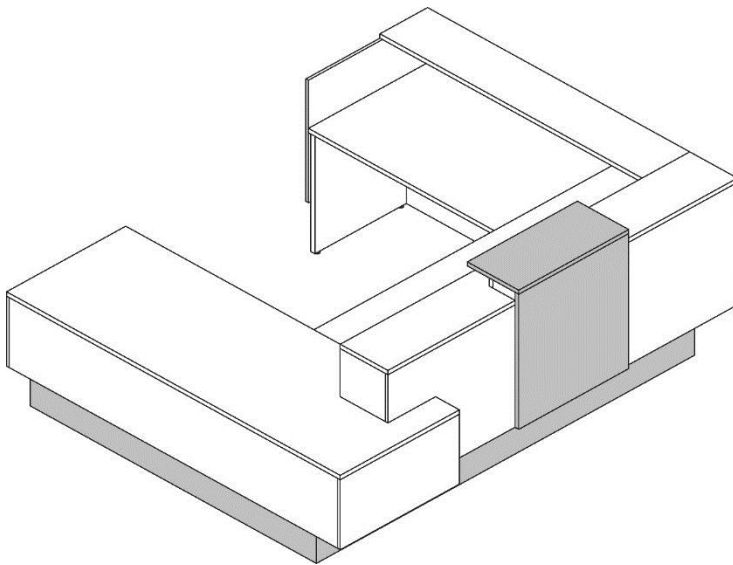
Configuration changes

Example to changes on a standard radius of a Spheric reception desk



Personalized options

Example of adding brushed aluminum HPL as an accent on the transaction top on an Inbox reception desk



Personalized options

Example of an oversized transaction top on an Inbox reception desk

