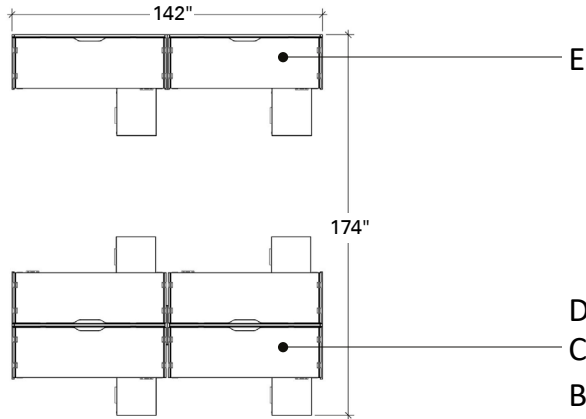


Typical Layouts

EP-C002b



Laminate: Kali
Metal: Satin Nickel

Note: Fabrics are specified for informational purpose only and may be of different grades. Typical pricing is based on grade 2 fabric.

ITEM	QTY	CODE	DESCRIPTION	LIST PRICE \$	TOTAL \$
A	6	EP 2370TSN	Elevation Plus table 23"D X 70"L with rectangular surface	2 880	17 280
B	1	EP 4971DBEAMSNLH	Elevation Plus power Beam 49"D X 71"L X 18"H	1 634	1 634
C	1	EP 4971DBEAMSNHR	Elevation Plus power Beam 49"D X 71"L X 18"H	1 634	1 634
D	1	EP 2571SBEAMSNLH	Elevation Plus power Beam 25"D X 71"L X 18"H	1 519	1 519
E	1	EP 2571SBEAMSNHR	Elevation Plus power Beam 25"D X 71"L X 18"H	1 519	1 519
F	4	LV 1836BC19SN	Low pedestal 18" X 36" X 19" H, B pedestal	1131	4 524
G	2	LV 1836CB19SN	Low pedestal 18" X 36" X 19" H, C pedestal	1131	2 262
H	6	LV 2170UASC2SN PL	Acrylic divider screen UAS 3/8" frosted finish 21" X 70"	861	5 166
I	12	LV 2124SASC2SN PL	Acrylic divider screen SAS 3/8" frosted finish 21" X 24"	503	6 036

TOTAL: 41 574

Price per individual desk 4 619

Electrical Accessories

2	BE-KDHB-1-BL	Single sided power block (1)	203	406
2	BE-KDBSM-1-BL	Double sided power block	390	780
2	BE-HW84	Hardwired conduit power entry 84"L	198	396
2	BE-J66	M/M jumper 66"L	190	380
8	WMS	Velcro tie with screw	14	112
1	8SR	Tool for removing simplex	5	5

TOTAL: 2 079