

# ELEVATION

Price List  
CANADA 2022



logiflex

# Table of Contents

Introduction	3	Height Adjustable Desks	20
Update Summary	4	Rectangular Desk	21
Product Map	5	Rectangular Desk with Laminate Panel Leg	22
Our social responsibility	6	Double Rectangular Desk with Laminate Panel Leg	26
Conditions of Sale	6	Rectangular Desk with Laminate Boxed Leg	30
Manufacturing Standards	7		
How to Use the Price List	8	Divider Screens	35
How to Order Double Desks	9	Acrylic	36
Appendix A: Colors and Finishes	10	Tackboards	39
Appendix B: Grommet and Communication Box	11		
Appendix C: Modesty Panel	12	Accessories	42
Appendix D: Wood Grain	12	Handles	43
Appendix E: Drawer Option	12	CPU Holders	44
Appendix F: Surface Dimensions	12	Miscellaneous Accessories	45
Appendix G: Quick Set Up Guide	13	Electrical Accessories	46
Appendix H: Calculation and Use of Electrical Components	14		
Appendix I: Electrical Wire Management Solutions	17		
Appendix J: Storage under worksurface	18		
Appendix K: Divider Screens	19		

---

## Introduction

*Elevation is your solution for providing users with the flexibility to work at different heights depending on their task, energy level or mood. The result is a more productive and healthier work environment. Height-adjustable Elevation desks can be built into any Logiflex furniture line, from private offices to benching layouts. Elevation also provides workstation electrification and wire management solutions.*

# Update Summary

The Elevation price list presents these principal modifications:

DATE	SECTION	MODIFICATIONS
December 1, 2022	Electrical accessories	<ul style="list-style-type: none"><li>• Adjustment of the names and images of certain items.</li></ul>

Previous updates:

DATE	SECTION	MODIFICATIONS
July 1, 2022	All the Price List	<ul style="list-style-type: none"><li>• All prices have been increased by approximately 5%.</li><li>• Replacement of the 1 circuit and 4 circuits electrical system.</li></ul>
	Appendix A	<ul style="list-style-type: none"><li>• Color availability chart update for the HPL.</li></ul>
February 1, 2022	All the Price List	<ul style="list-style-type: none"><li>• All prices have been increased by approximately 6%.</li></ul>
	Conditions of Sales	<ul style="list-style-type: none"><li>• The order modification / cancellation deadline is changed to 48 hours.</li></ul>
October 1, 2021	Appendix A	<ul style="list-style-type: none"><li>• Color availability chart update.</li></ul>

Product Map

Height Adjustable Desks

Rectangular Desk p. 21

Rectangular Desk with Laminate Panel p. 22

Double Rectangular Desk with Laminate Panel p. 26

Rectangular Desk with Laminate Boxed Leg p. 30

Laminate Wire Management p. 34

Divider Screens

Acrylic p. 36

Tackboard p. 39



## Our social responsibility

At Logiflex, we have chosen to be a responsible North American manufacturer by implementing initiatives for sustainable development. As much as possible, we source local materials and partner with suppliers who prioritize clean manufacturing processes. We also consolidate goods during transport to reduce our fuel consumption and we continually make changes that help reduce our waste production.

The company is ISO 9001 certified.

You can consult our eco-responsible approach as well as all our certifications in the [Certifications](#) section of our website. Find out how our products can help you obtain LEED credits and the Logiflex products that are Greenguard certified.

## Conditions of Sale

### Prices

The amounts listed in this document are suggested retail prices and may be changed without notice. Applicable taxes are not included. If you have an open and active account with Logiflex, merchandise will be invoiced at the prices prevailing at the time of shipment. A deposit may be requested if the opening of your account has not been completed or if your account has become inactive.

### Terms of Payment

Net 30 days F.O.B. Sherbrooke, Quebec. The invoice will be assigned the shipping date and is payable 30 days from that date. Logiflex remains the owner of the merchandise until the invoice is paid in full.

### Customized Products (Special Items)

Price requests for customized products or special items can be submitted via the "[Private Space](#)" section of our website, at [www.logiflex.ca](http://www.logiflex.ca). Our quotations department will study your request and send you a quotation and a technical drawing for approval as soon as possible. Modifications to quotations or technical drawings can be requested the same way. The approved quotation(s) and technical drawing(s) can then be attached to your purchase order.

### Orders

An official purchase order must be issued for all purchases. Your

purchase order must contain the following information:

- Your company letterhead
- Your reference number
- The delivery address (with contact name, email and phone number)
- The complete product codes
- Furniture colour(s)
- Quantities
- Descriptions
- Retail prices and net prices
- Project registration number (if applicable), and your approved quotation and technical drawing (for special items).

Please note that a quotation cannot serve as a purchase order.

### Returns

All returns must first be approved by Logiflex. If the return is accepted, a Logiflex customer service representative will send you an official return authorization form in order to facilitate procedures between you, the carrier, and the Logiflex merchandise reception clerk. Additional costs for shipping or other expenses may be applied following any merchandise returns.

### Modifications and/or Cancellations

You have 48 hours from the time we acknowledge receipt of your order to make any requests for corrections or modifications. You may cancel your order during this same 48-hour period. If you would like to modify or cancel your order after this 48-hour verification period, please check with a Logiflex customer service representative. Orders cannot be changed or cancelled if production has already begun or if Logiflex has already received the raw materials.

### Liability

Logiflex's liability ends once the carrier has delivered all items in good condition. A delivery receipt signed by the customer acknowledges that the shipment is complete and has been received in good condition.

### Claims

Logiflex recommends inspecting the shipment before signing the carrier's delivery receipt. You must notify Logiflex of any incomplete shipments or damaged furniture within 30 days after delivery. Requests to replace damaged products can be made via the "[Private Space](#)" section of our website, at [www.logiflex.ca](http://www.logiflex.ca). Our after-sales service department will examine your request and help you correct the situation.

### Changes

Logiflex reserves the right to make changes to the materials, accessories, components, specifications and designs, and to discontinue collections and/or models, at any time and without prior notice.

### Storage and/or Shipping Fees

According to the terms Logiflex set forth in the transport policy. The transport policy can be consulted online in the [Private Space](#).

### Items Delivered Disassembled

Some items are delivered disassembled, such as empty desks, empty returns, bridges, arched tables, D, P or Q tables, lateral tables, end tables, hook tables, corner tables and extended-corner tables.

### Warranty

Logiflex guarantees to the original purchaser that Logiflex products are free from defects in design, materials and workmanship for the product's lifetime, with certain exceptions.

You may consult the full warranty on the website:

[Logiflex Warranty](#)



## Manufacturing Standards

### Product Dimensions

For display purposes, the furniture dimensions represented in the price tables on each product page are rounded to the nearest whole number.

### Handles

Handles are included with all storage furniture. The standard is H052SN. Please refer to the Logiflex accessories selection at the end of this price list on [p. 43](#).

### Pedestals

All drawers are made of black Medium density fiberboard (MDF) with an average thickness of 7/16".

### Drawer Fronts

A PVC strip 1.5 mm thick is systematically applied along all drawer front edges.

### Levelers

All furniture items sit on 1" in diameter, white nylon levelers, allowing for up to 1-1/4" height adjustment.

### Colors

Colors have to be specified for all furniture items ordered. Consult the "How to Order" section on the product page for further details about the procedure. Consult the [Logiflex Colors and Finishes Guide](#) for the colors and finishes offered. Unless indicated otherwise in the order, the PVC edge will match the color and finish specified.

## How to Use the Price List

**Interactive Menu**

- Product line: Desk
- Product group: Height Adjustable Desks
- Product name: Rectangular Desk
- Product code: BAS

**Product image**

**Options**

- Cutout for wires: WAVC
- Grommet/Connectivity: CAPF/CCPF, A, B/C, D, MH3
- Wireless Charger: QIBL, QISL

**Manufacturing Standards**

- Delivered disassembled;
- 1" thick laminate top;
- 2 section metal leg;
- Programmable switch with LED display;
- Height: programmable to 3 positions from 27" to 47";
- Maximum load on frame: 220 lbs;
- 1 motor, two stage system;
- Metal legs with matching levelers.

**Additional Product Information and Notes**

Grommet and connectivity options cannot be specified in the same position. Ex: GRC and MH3A C.  
 MH3 connectivity units are also available with a 120" plug in cable.

**Prices**

Dimensions	A	B
3056	****	****
3060	****	****
3064	****	****
3068	****	****
3072	****	****

**How to Order**

Series	Dimensions	Product	Leg Finish	Grommet Position	Cutout (Appx. B)	Grommet Style	Connectivity+position (Appx. B)	Qi (Appx. B)	
EL	AB	BAS	SN (std)	NGR (std)	WAVC (std)	CAPF (std)	MH3A, MH3B, MH3C, MH3D	QIBLA, QIBLB, QISLA, QISLB	
<b>Example</b>	EL	3060	BAS	SN	GRC	NWAV	CAPF	MH3BR	QIBLA

**Standard Product Code**  
Details as per the price listed

**Options, if desired (\$)**  
Always after the product code



## How to Order Double Desks

Height Adjustable Desks

Desk  
Desk with Panel  
**Double Desk with Panel**

Desk with Boxed Leg  
Laminate Wire Management

Double Rectangular Desk with Laminate Panel Leg

**LPMDOO - LPDMOO**

**Leg Position**

Offset left and right of 4"

**Manufacturing Standards**

- Delivered disassembled;
- 1" thick laminate top and panel;
- Wire management channel with cutout for wires;
- 18"H modesty;
- 2 section metal leg;
- 1 motor, two stage system;
- Programmable switch with LED display;
- Height: programmable to 3 positions from 27" to 47";
- Maximum load on frame: 220 lbs;
- Metal legs with matching levelers;
- White levelers on laminate panel.

*Suggested clearance of 2" between work surfaces. The lengths of the tops must be the same on both desks.*

*Grommet and connectivity options cannot be specified in the same position on the same desk. Ex: GRC and MH3A.*

*MH3 connectivity units are also available with a 120" plug in cable p. 54.*

**Options**

**Leg Grommet**

**Cutout for wires**

**Grommet/Connectivity**

**Wireless Charger**

**Prices**

**Price per individual desk**

Dimensions A B	Price
3056 ****	←
3060 ****	
3064 ****	
3068 ****	
3072 ****	

**Price per double desk**

Dimensions A B	Price
3056 ****	←
3060 ****	
3064 ****	
3068 ****	
3072 ****	

**How to Order**

	A B	BL	SN (std)	NGR (std)	PNGR (std)	NWAV (std)	CCPF (std)	MH3A	MH3B	MH3C	MH3D	C	LR	QIBLA	QIBLB	QISLA	QISLB
<b>1</b>	EL																
<b>2</b>	EL																
<b>Example 1</b>	EL	3060	LPMDOO	SN	GRC	PNGR	NWAV	CAPF	MH3BR					QIBLA			
<b>Example 2</b>	EL	3060	LPMDOO	SN	GRC	PNGR	NWAV	CAPF	MH3BR					QIBLA			

① Specify the first desk on line 1

② Specify the second desk on line 2

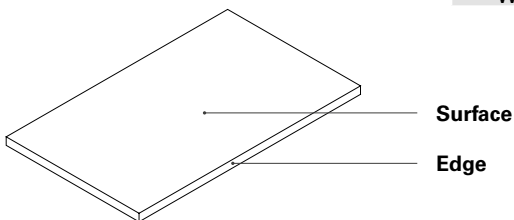
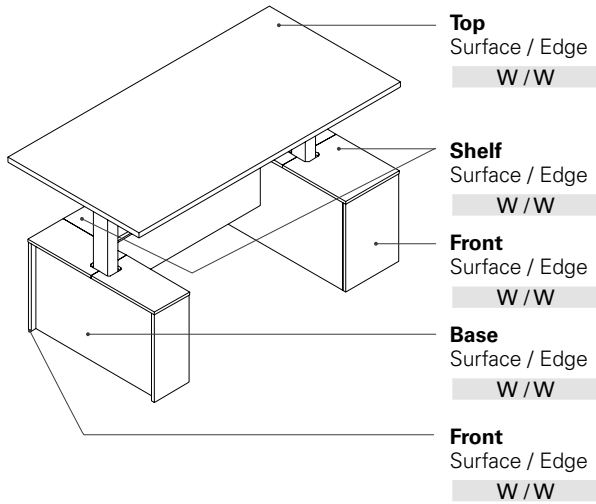
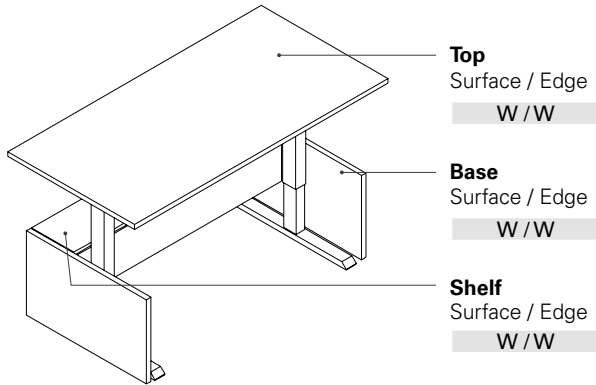
Price per individual desk

Price per double desk

Add the price of lines 1 and 2 for the total price for the shared desks

Appendix A: Colors and Finishes

How to specify your laminate colors



Availability Chart

FINI FINISH	CODE	COLOR COULEUR	THICKNESS ÉPAISSEUR			HPL STRATIFIÉ	PANVAL CODE
			5/8"	1"	1-5/8"		
OMNIA	DOO	Dosha <span style="color: green;">N</span>	•	•		•	K77
	VEO	Vega <span style="color: green;">N</span>	•	•			K78
AURA	GIA	Ginger Root   Gingembre	•	•		•	H72
	HAA	Haze   Brume	•	•	•	•	H57
	OHA	Ohm <span style="color: green;">N</span>	•	•	•	•	K69
	STA	Storm   Tempête	•	•	•	•	H58
	TUA	Tundra	•	•		•	H75
LYRA	ASY	Asha	•	•		•	K47
	CIY	Chiffon   Mousseline **	•	•	•		K60
	KAY	Kali	•	•		•	K46
SUPERMAT	IGS	Ingot grey   Gris lingot	•	•			828
	WGS	Willow grey   Gris saule	•	•			802
DOLOMITE	AU	Audacity   Audace **	•	•	•	•	241
	B	Jet Black   Noir intense *	•	•		•	888   S405-CA
	BC	Brown cherry   Cerisier brun	•	•	•	•	207
	C	Slate   Ardoise *	•	•		•	801
	DR	Driftwood   Bois de rive	•	•		•	744
	G	Mink Grey   Gris vison	•	•		•	805   OU-927
	NM	Natural Maple   Érable naturel	•	•	•	•	206
	PO	Porto	•	•		•	913   OU-648
	SW	Smoked Walnut   Noyer fumé	•	•	•	•	G21
	TO	Tobacco	•	•		•	205
	W	Polar White   Blanc polaire	•	•	•	•	555   459-CA
WK	Whisky	•	•	•	•	245	
HIGH GLOSS   SUPER LUSTRE	W-H	Polar White - fronts   Blanc polaire - façades	•				

\* Non recommended color for work surfaces.

\*\* For conference tables with 2 or more parts, we do not recommend the use of colors with irregular and contrasted woodgrain like Chiffon, Audacity or Coastal Pear as it results in a pronounced wood grain mismatch.

Colors may vary from 2% to 5% between tfl and hpl laminates due to different technical applications.

See our complete [Colors & Finishes Guide](#)

N New

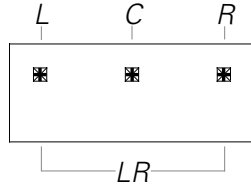
Appendix B: Grommet and Communication Box

**Grommet**

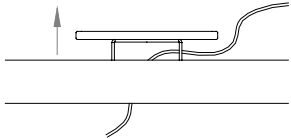


**C\_PF**

Square metal grommet in satin nickel, chrome and black finish

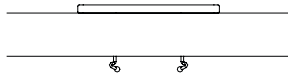


Position : L, C, R, LR



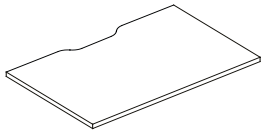
**Open position**

Allows wire management



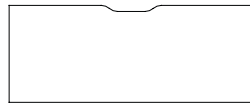
**Closed position**

**Cutout for wires**



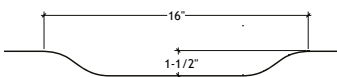
**WAVC**

Wire management cut-out

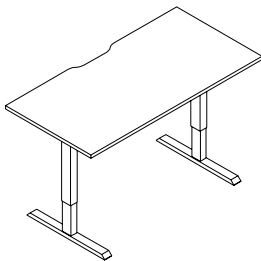


C

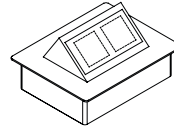
Position: C



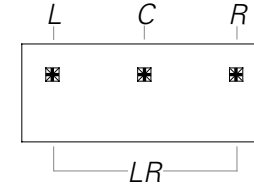
Dimensions



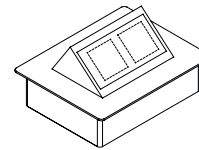
**Connection Unit**



**MH3**

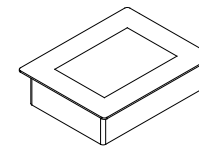


Position : L, C, R, LR



**Open position**

Push to open



**Closed position**

**Wireless Charger**

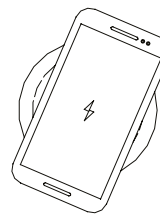


**QIBL**



A

B

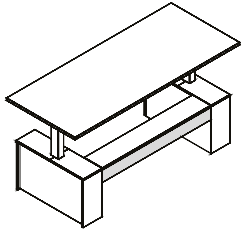


Charges Qi capable devices

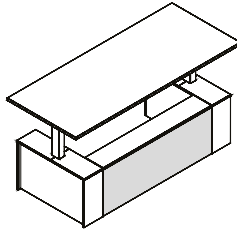
# Introduction

## Appendix C: Modesty Panel

### Modesty Height



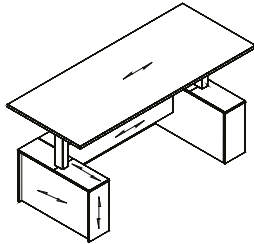
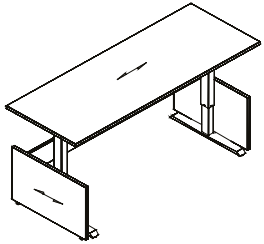
**PM**  
Partial Modesty  
(10" high)



**FM**  
Full Modesty  
(18" high)

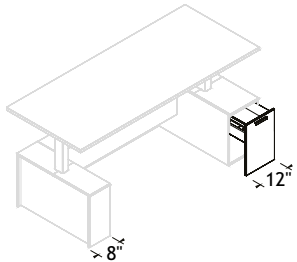
## Appendix D: Wood Grain

Wood grain runs lengthwise on desk surfaces on the side legs and the modesties. The wood grain runs vertically on fronts of doors and legs. See adjacent image for wood grain direction placements.



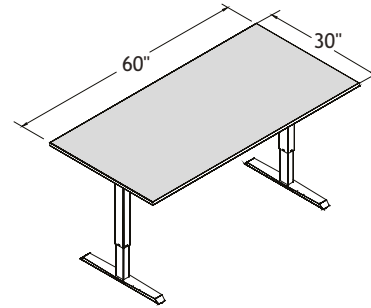
## Appendix E: Drawer Option

The drawer option is offered on the 12" boxed legs. The drawer dimensions are 8" x 11-1/8" x 3-1/8"H.



## Appendix F: Surface Dimensions

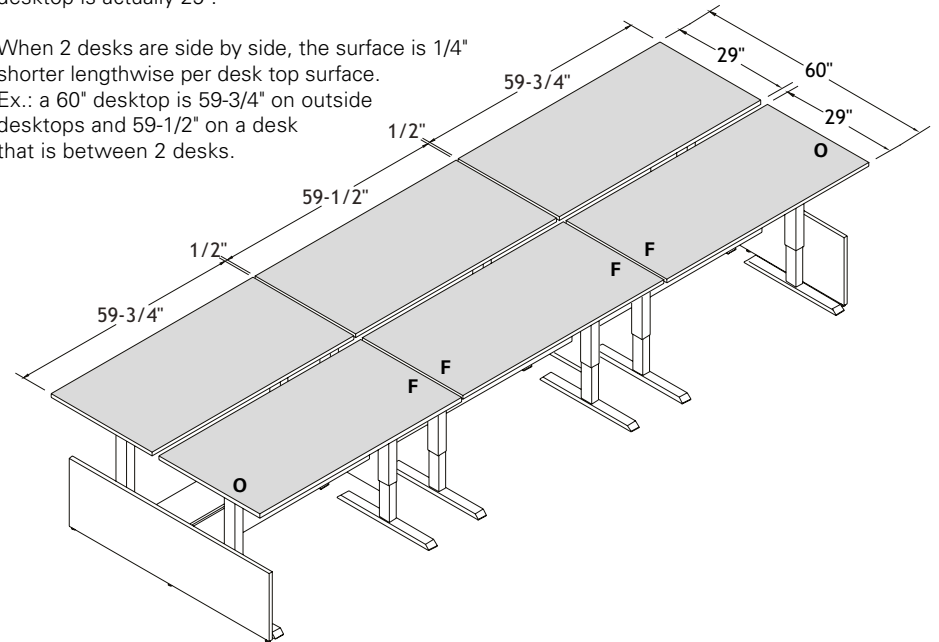
In the example below, the dimensions for the surface shown in the price grid for a single table, with or without laminate panels or boxed legs, are as indicated. Ex.: a 30" x 60" desktop is 30" x 60"



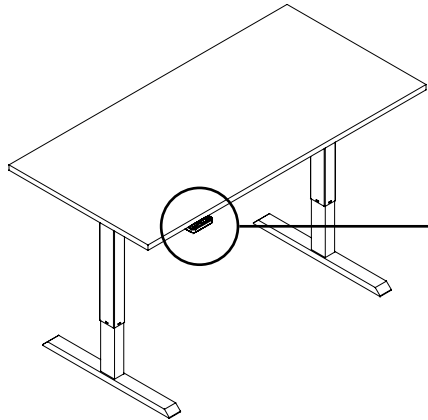
In the example below where double rectangular desks are strung together, the surface dimensions are slightly smaller to allow the desks to operate without obstructing the vertical movement of the desk.

The depth is 1" shorter, allowing a 2" gap between facing desk. This additional space allows for the addition of divider screens without obstructing the vertical movement of the desk. Ex.: a 30" desktop is actually 29".

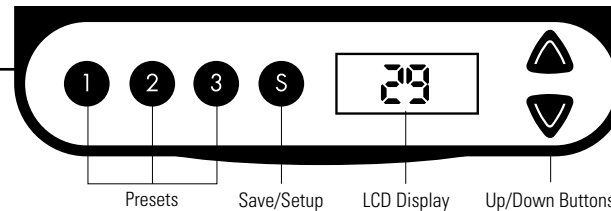
When 2 desks are side by side, the surface is 1/4" shorter lengthwise per desk top surface. Ex.: a 60" desktop is 59-3/4" on outside desktops and 59-1/2" on a desk that is between 2 desks.



## Appendix G: Quick Set Up Guide



The height control panel is designed for the use of the Elevation height adjustable table collection. The control panel offers basic up and down buttons as well as programming up to three programmable height settings for up to three individuals. The control panel is equipped with a power wire measuring 68"L.



### Initial Calibration

After assembly, the Elevation height adjustable table must be calibrated to ensure smooth and trouble free movement.

1. Press and hold ▼ until it stops by itself.
2. Press and hold ▲ until it stops by itself.
3. Press and hold ▼ again until it stops by itself.

The table is now calibrated. If you notice that the movements are jerky or uneven, the table should be re-calibrated.

**Note:** The table may be used without any programming by pressing the ▲ or ▼ buttons. Additionally, you can adjust the height of the table without affecting the programmed presets.

### Additional Information

#### Re-programming the Desk Frame

Your desk control panel should be programmed to Setup No.3 (P3). To re-program, follow these instructions.

1. Press S for 10 seconds (be aware that the user select menu will display after 2 seconds, continue pressing the button).
2. Press the ▲ or ▼ to select P3 setting.
3. Press S to save the setting.

#### Changing Measurements to Inches or CM

Press S + ▲ for 2 seconds to select CM.

Press S + ▼ for 2 seconds to select Inches.

### Programming and Using the Presets

#### Step A: Selecting Individual Users

You may program height settings for up to 3 individual users. You must be sure to select the correct 'user' when programming and using the presets.

1. Press S for 2 seconds until the user 'U' menu is displayed.
2. Press ▲ or ▼ to select U-1, U-2 or U-3.
3. Press S to select user.

#### Step B: Programming a User's Height Preset

You may program up to 3 height presets per user.

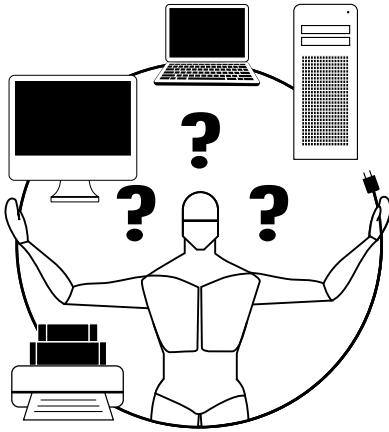
1. Press ▲ or ▼ to desired height shown on the LCD display.
2. Program Preset 1: adjust table to desired height, then press and hold S then 1 for 2 seconds, release both buttons when the display blinks.

Height preset 1 is now programmed. Repeat the above steps to preset height 2 and 3.

#### Step C: Using the Presets

1. Verify that your "user" is selected, follow Step A.
2. Press the desired preset button, 1 - 2 or 3.  
Keep pressing until the desk automatically stops at the preset height.

## Appendix H: Calculation and Use of Electrical Components



### An Introduction to Calculation and Use of Electrical Components

Most people are uncomfortable with anything related to electricity. This step-by-step guide is intended for people who are not familiar with electrical installations but who have to specify what system they need when ordering furniture. In this guide, you will learn how to choose and specify the electrical components required for your projects. The list that follows illustrates and identifies each product and describes its applications.

The electrical components are all recognized by the Underwriters Laboratory (UL) as office furniture accessories and are manufactured according to Canadian Standards Association (CSA) and UL electrical standards.

**Note:** All electrical connections must be performed by a certified electrician.

By following these 3 simple steps, you can easily determine the number of circuits required to ensure safe use of your electrical system.

1. Determining the Number of Amperes Required
2. Calculating the Total Amperes
3. Determining How Many Circuits You Need

### STEP 1: Determining the Number of Amperes Required

#### What is Amperage

An Ampere (Amp or A) is a unit for measuring the rate at which electric current flows. All electrical equipment has an amperage rate. By following these few simple steps, you can easily determine the number of circuits required to ensure safe use of your electrical equipment.

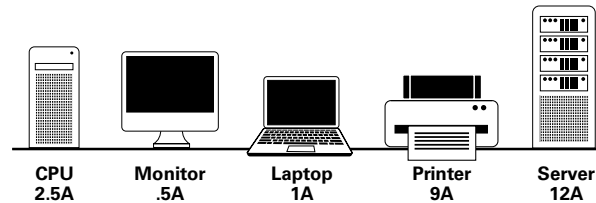
#### Determine the Number of Amperes Required

On your computer or other electric devices (ie: monitor, central processing unit, printer) find the plate that provides the technical specifications as follows:

Input: 120V - 1.8A.

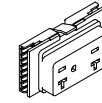
If you cannot locate this information on the machine, you will probably find it in the user manual.

Here are a few examples of how many Amps some equipment may consume. Please note that these are examples and the number of amperes may vary from one machine to another.



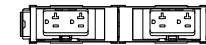
### Electrical System Capacity

Our electrical system is designed for circuits of 20 amps each. This includes electrical components such as computers, printers, laptops, monitors, server or other devices.

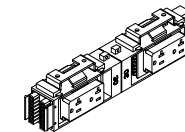


20A

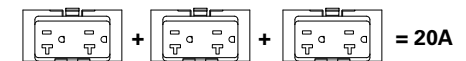
A single Duplex has a maximum capacity of 20 A



Each power block can hold 2 Duplex



Each power block can hold 4 Duplex



If the duplexes are connected to the same circuit, the capacity is divided between them. For example, 3 duplexes connected to the same circuit have a total capacity of 20A.

## Appendix H: Calculation and Use of Electrical Components

### STEP 2: Calculating the Total Amperes

#### Add the Amperes

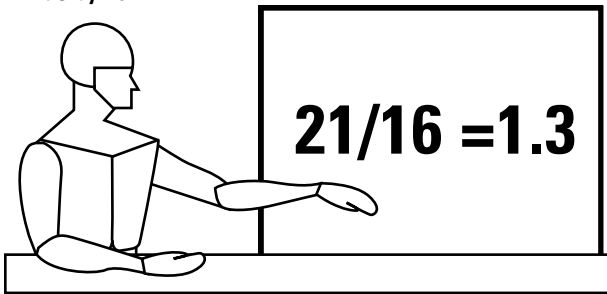
Add the number of amps for each machine. In our example, there are 4 CPUs at 2.5A per computer, 4 monitors at 0.5A and one printer at 9A.



$$2.5A + .5A + 2.5A + .5A + 2.5A + .5A + 2.5A + .5A + 9A = 21A$$

The total number of amperes used in this example equals to 21A.

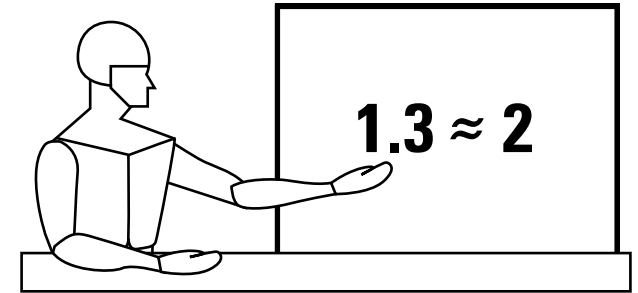
#### Divide by 16



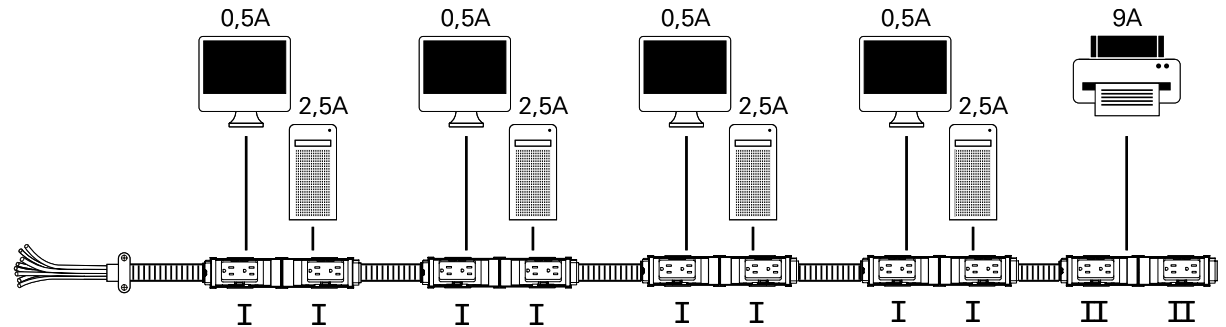
Most machines and computers used in offices or schools are used continuously for many hours at a time. In this type of situation, national electrical codes usually limit circuits at 80% of their capacity of continuous use. Our electrical system is designed for circuits of 20 amps each. So 80% of 20A is 16 Amps. You must therefore divide the total number of amperes calculated by 16.

### STEP 3: Determining How Many Circuits You Need

In most cases, this number will contain decimals. Round up to the next whole number, and this will be the number of circuits required for your equipment to run safely. If the number obtained is higher than 4 (the maximum number of circuits for a system), you must reduce the total amperage or add another electrical system. Continuing with our example, the 1.3A is rounded up to 2A.



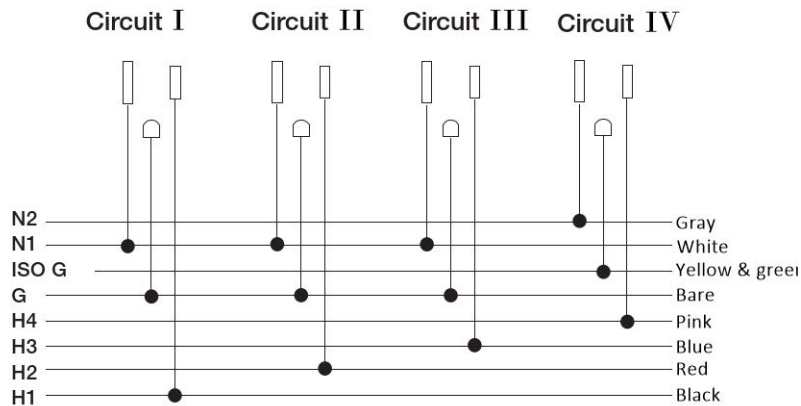
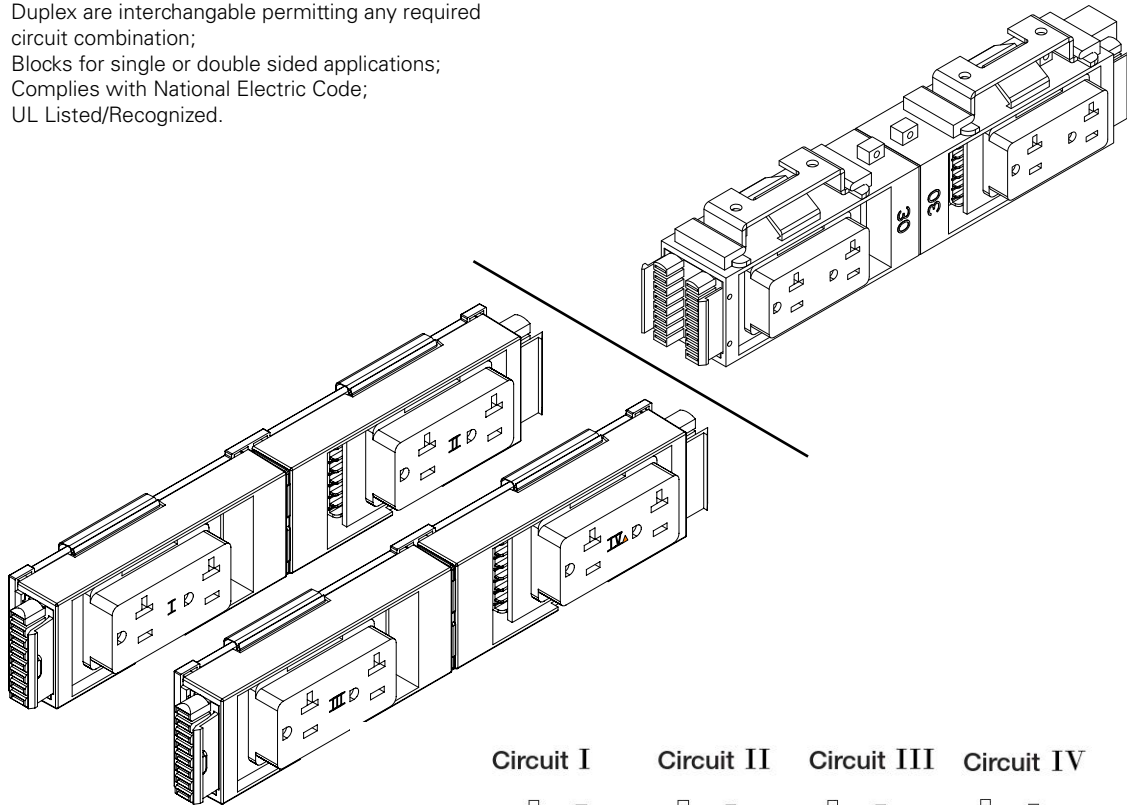
Here is one possible configuration. Using 5 power blocks joined together with junction cables, only 2 circuits are being used. The 4 workstations would be on the first circuit for a total of 16 amps. The printer would be on the second circuit.



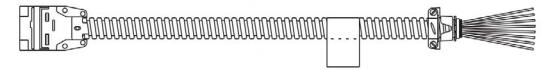
Appendix H: Calculation and Use of Electrical Components

**Block with 4 Circuits (3 + 1)**

- Duplex are interchangeable permitting any required circuit combination;
- Blocks for single or double sided applications;
- Complies with National Electric Code;
- UL Listed/Recognized.

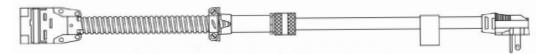


**Starter Cable with Bare Ends**



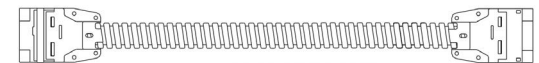
- 4 circuit starter cable with hardwire at one end;
- 4 circuits rated for 20 AMP each;
- Available in lengths from 12" to 180";
- Whip end to be connected to building power by an electrician.

**Starter Cable with Plug**



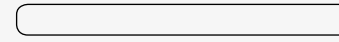
- 1 circuit starter cable with 20A electrical plug;
- Circuit rated for 20 AMP;
- Available in lengths from 36" to 180".

**Junction Cable**

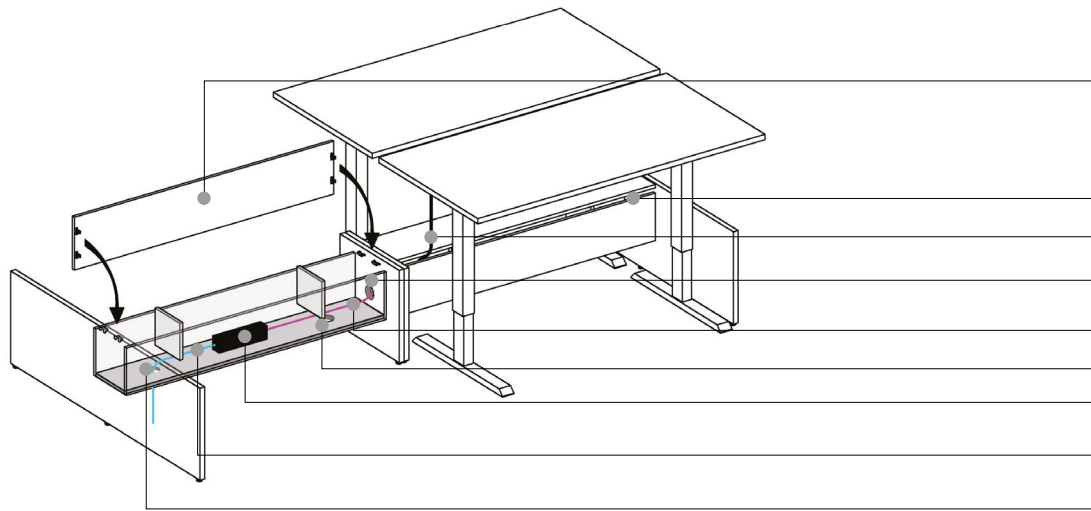


- 4 circuit cord;
- All circuits rated for 20 AMP;
- Available in lengths from 12" to 216".





Appendix I: Electrical Wire Management Solutions



Removable panel

1" clearance for wire management

Fabric Sleeve for wires

Option: 2-1/2" round grommet

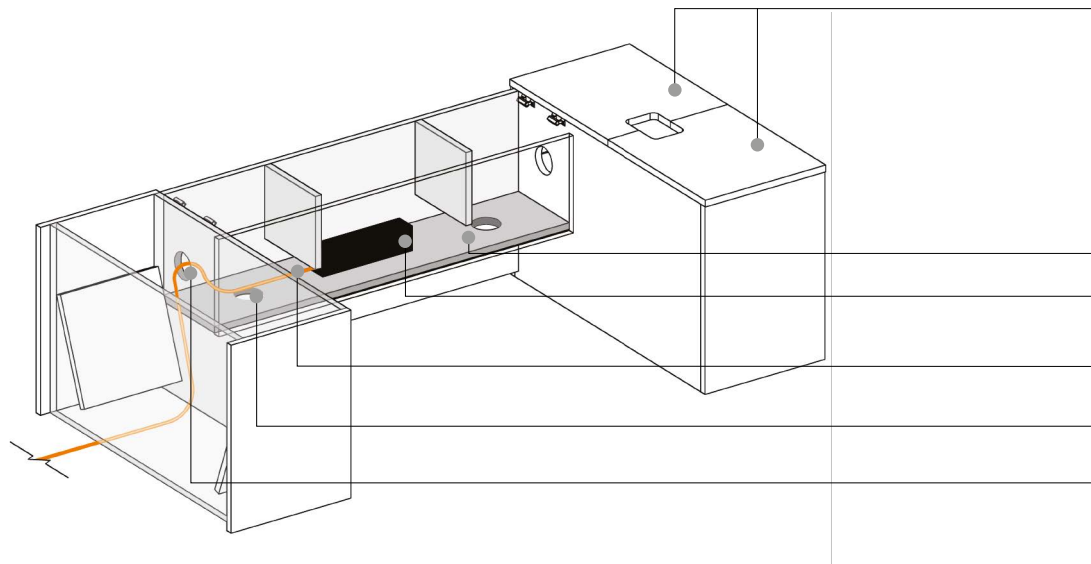
Junction Cable 84 FF

Available space of 2-1/2" high

Power Block PW4/PW8

Starter Cable 84 SB2

2-1/2" round grommet in the base of the unit, on the left and right.



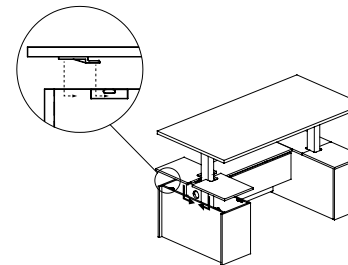
Available space of 2-1/2" high

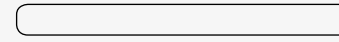
Power Block PW4/PW8

Starter Cable 84 SB2

2-1/2" round grommet in the base of the unit, on the left and right.

2-1/2" round grommet in the side of the unit, on the left and right.

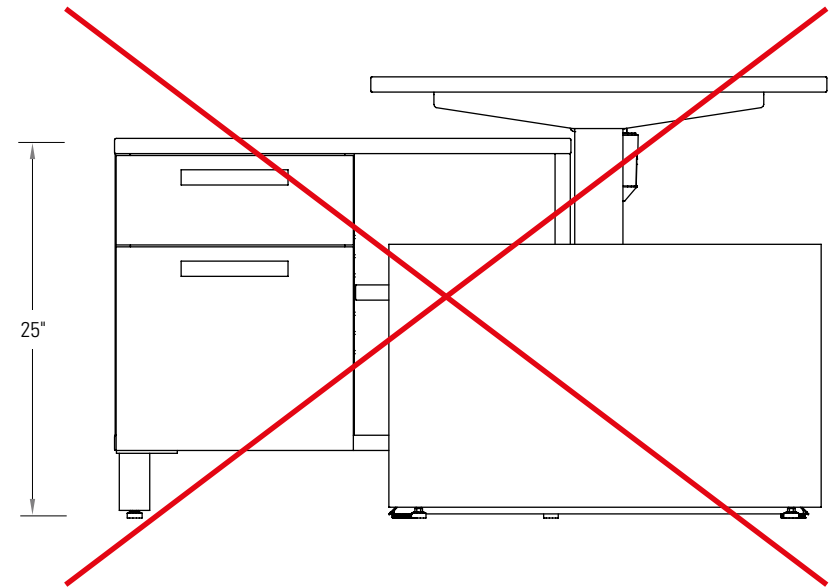
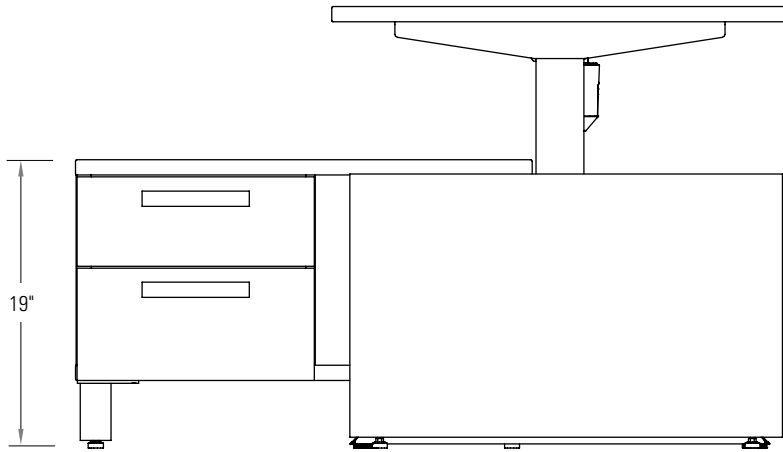




## Appendix J: Storage under worksurface

Only low pedestals at 19"H and less can be positioned under height adjustable surfaces (to clear the mechanism).

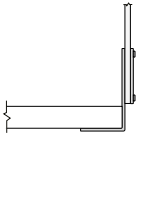
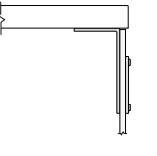
Pedestals that are higher than 19"H can not be positioned under height adjustable surfaces (collision with the mechanism).

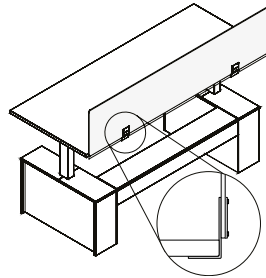


Appendix K: Divider Screens

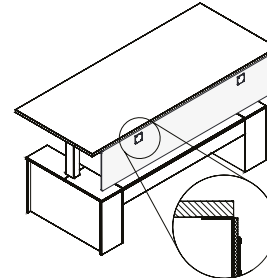
Under Mount Clip Applications

Code Definitions

Clip	Insertion	Position	Illustration
<b>U</b> Under Mount	<b>A</b> Acrylic (C1) 1/4" (C2) 3/8"	<b>S</b> Surface	
	<b>B</b> Tackboard 7/8" (+/- 1/8")	<b>M</b> Modesty	



UAS UBS



UAM UBM

**\*Note:** When ordering a divider screen that is between two metal legs, the total length is 4" shorter than the length of the desk surface because of the width of the legs.

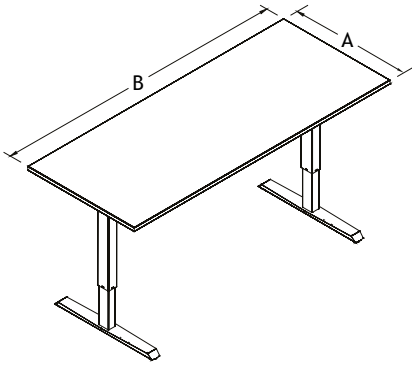
---

Height Adjustable Desks

# Height Adjustable Desks

## Rectangular Desk

BAS



### Manufacturing Standards

- Delivered disassembled;
- 1" thick laminate top;
- 2 section metal leg;
- Control panel with LED display;
- Height: programmable to 3 positions from 27" to 47";
- Maximum load on frame: 220 lbs;
- 1 motor, two stage system;
- Metal legs with matching levelers.

*Grommets are recess back 5-1/2".*

*Grommet and connectivity options cannot be specified in the same position. Example of what not to do: GRC and MH3A C together.*

*MH3 connectivity units are also available with a 120" plug in cable p. 38.*

### Options

C

**Cutout for wires**

\$25 ea.

L C R

LR

**Grommet/Connectivity**

\$25 ea.    \$378    \$378    \$378

A B

**Wireless Charger**

\$588

### Prices

Dimensions	
A	B
3056	1528
3060	1545
3064	1563
3068	1579
3072	1599

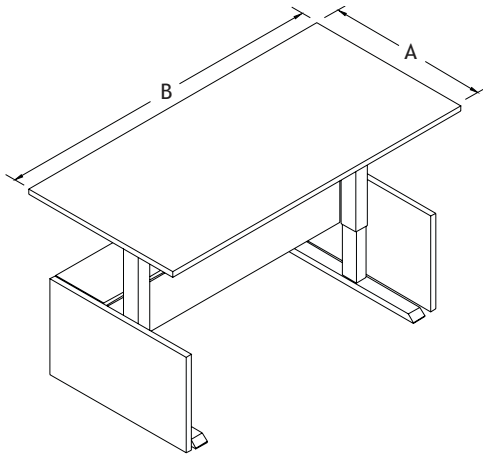
### How to Order

EL	AB	BAS	BL SN (std)	GRL GRC GRR GLR NGR (std)	WAVC NWAV (std)	CAPF CBPF CCPF	MH3A MH3B MH3C MH3D	L R LR	QIBLA QIBLB
series	dimensions	product	leg finish	grommet position	cutout (Appx. B)	grommet style	connectivity+position (Appx. B)		Qi (Appx. B)
<b>Example</b> EL	3060	BAS	SN	GRC	NWAV	CAPF	MH3BR		QIBLA

# Height Adjustable Desks

## Rectangular Desk with Laminate Panel Leg

LPS00



### Leg Position



Offset left and right of 4"

### Manufacturing Standards

- Delivered disassembled;
- 1" thick laminate top and panel;
- Wire management channel with cutout for wires;
- 18"H modesty;
- 2 positioning brackets;
- 2 section metal leg;
- Control panel with LED display;
- Height: programmable to 3 positions from 27" to 47";
- Maximum load on frame: 220 lbs;
- 1 motor, two stage system;
- Metal legs with matching levelers;
- White levelers on laminate panel.

*Grommets are recess back 5-1/2".*

*Grommet and connectivity options cannot be specified in the same position. Example of what not to do: GRC and MH3A C together.*

*MH3 connectivity units are also available with a 120" plug in cable p. 38.*

### Options

**Leg Grommet**

**PGR**

\$0

**Cutout for wires**

C

\$25 ea.

**Grommet/Connectivity**

L C R

LR

\$25 ea. \$378 \$378 \$378

**Wireless Charger**

A B

\$588

### Prices

Dimensions	
A	B
3056	2168
3060	2186
3064	2204
3068	2221
3072	2239

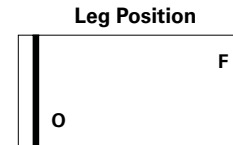
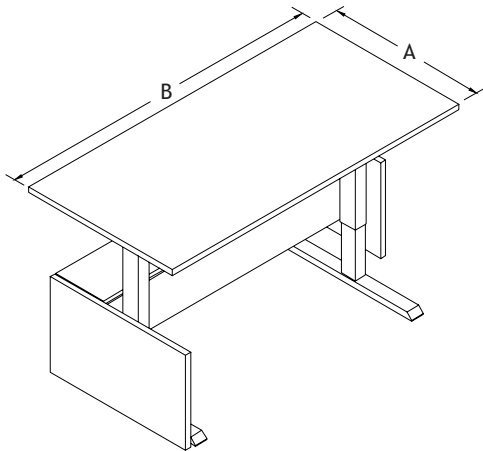
### How to Order

EL	AB	LPS00	BL	GRL GRC GRR GLR	PGR L PGR R PG LR	WAVC NWAV (std)	CAPF CBPF CCPF	MH3A MH3B MH3C MH3D	L R LR	QIBLA QIBLB
series	dimensions	product	leg finish	grommet position	leg grommet	cutout (Appx. B)	grommet style	connectivity+position (Appx. B)	Qi (Appx. B)	
<b>Example EL</b>	3060	<b>LPS00</b>	SN	GRC	PNGR	NWAV	CAPF	MH3BR	QIBLA	

# Height Adjustable Desks

## Rectangular Desk with Laminate Panel Leg

LPSOF



Offset left of 4" / Flush right

### Manufacturing Standards

- Delivered disassembled;
- 1" thick laminate top and panel;
- Wire management channel with cutout for wires;
- 18"H modesty;
- 2 positioning brackets;
- 2 section metal leg;
- 1 motor, two stage system;
- Control panel with LED display;
- Height: programmable to 3 positions from 27" to 47";
- Maximum load on frame: 220 lbs;
- Metal legs with matching levelers;
- White levelers on laminate panel.

*Grommets are recess back 5-1/2".*

*Grommet and connectivity options cannot be specified in the same position. Example of what not to do: GRC and MH3A C together.*

*MH3 connectivity units are also available with a 120" plug in cable p. 38.*

### Options

**Leg Grommet**

**PGR**

\$0

**Cutout for wires**

C

\$25 ea.

**Grommet/Connectivity**

L C R

LR

\$25 ea. \$378 \$378 \$378

**Wireless Charger**

A B

\$588

### Prices

Dimensions	
A	B
3056	2201
3060	2218
3064	2233
3068	2250
3072	2269

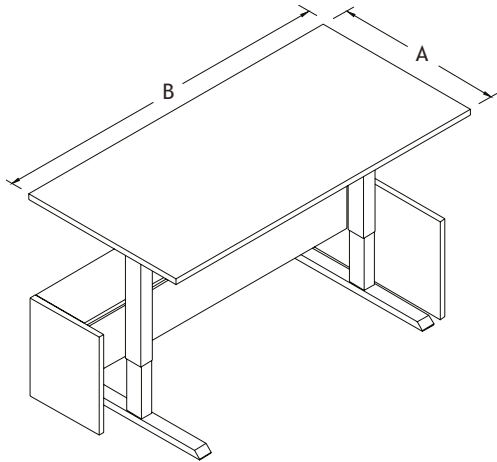
### How to Order

EL	AB	LPSOF	BL SN (std)	GRL GRC GRR GLR NGR (std)	PGR L PGR R PG LR PNGR (std)	WAVC NWAV (std)	CAPF CBPF CCPF	MH3A MH3B MH3C MH3D	L R LR	QIBLA QIBLB
series	dimensions	product	leg finish	grommet position	leg grommet	cutout (Appx. B)	grommet style	connectivity+position (Appx. B)	Qi (Appx. B)	
<b>Example EL</b>	3060	<b>LPSOF</b>	SN	GRC	PNGR	NWAV	CAPF	MH3BR	QIBLA	

# Height Adjustable Desks

## Rectangular Desk with Laminate Panel Leg

LPSFO



### Leg Position



Flush left / Offset right of 4"

### Manufacturing Standards

- Delivered disassembled;
- 1" thick laminate top and panel;
- Wire management channel with cutout for wires;
- 18"H modesty;
- 2 positioning brackets;
- 2 section metal leg;
- 1 motor, two stage system;
- Control panel with LED display;
- Height: programmable to 3 positions from 27" to 47";
- Maximum load on frame: 220 lbs;
- Metal legs with matching levelers;
- White levelers on laminate panel.

*Grommets are recess back 5-1/2".*

*Grommet and connectivity options cannot be specified in the same position. Example of what not to do: GRC and MH3A C together.*

*MH3 connectivity units are also available with a 120" plug in cable p. 38.*

### Options

**Leg Grommet**

**PGR**

\$0

**Cutout for wires**

C

\$25 ea.

**Grommet/Connectivity**

L C R

LR

\$25 ea. \$378 \$378 \$378

**Wireless Charger**

A B

\$588

### Prices

Dimensions	
A	B
3056	2201
3060	2218
3064	2233
3068	2250
3072	2269

### How to Order

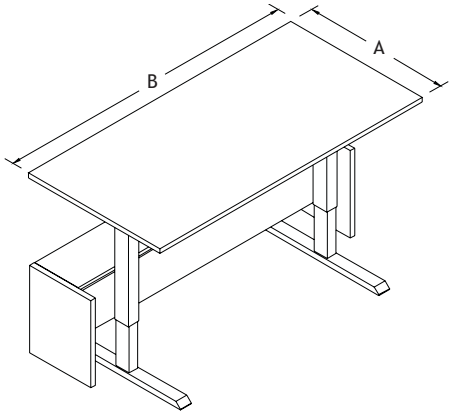
EL	AB	LPSFO	BL SN (std)	GRL GRC GRR GLR NGR (std)	PGR L PGR R PG LR PNGR (std)	WAVC NWAV (std)	CAPF CBPF CCPF	MH3A MH3B MH3C MH3D	L R LR	QIBLA QIBLB
series	dimensions	product	leg finish	grommet position	leg grommet	cutout (Appx. B)	grommet style	connectivity+position (Appx. B)	Qi (Appx. B)	
<b>Example EL</b>	3060	<b>LPSFO</b>	SN	GRC	PNGR	NWAV	CAPF	MH3BR	QIBLA	



# Height Adjustable Desks

## Rectangular Desk with Laminate Panel Leg

LPSFF



### Leg Position



Flush left and right

### Manufacturing Standards

- Delivered disassembled;
- 1" thick laminate top and panel;
- Wire management channel with cutout for wires;
- 18" H modesty;
- 2 positioning brackets;
- 2 section metal leg;
- 1 motor, two stage system;
- Control panel with LED display;
- Height: programmable to 3 positions from 27" to 47";
- Maximum load on frame: 220 lbs;
- Metal legs with matching levelers;
- White levelers on laminate panel.

*Grommets are recess back 5-1/2".*

*Grommet and connectivity options cannot be specified in the same position. Example of what not to do: GRC and MH3A C together.*

*MH3 connectivity units are also available with a 120" plug in cable p. 38.*

### Options

#### Leg Grommet

**PGR**

\$0

#### Cutout for wires

C

\$25 ea.

#### Grommet/Connectivity

L C R

LR

\$25 ea. \$378 \$378 \$378

#### Wireless Charger

A B

\$588

### Prices

Dimensions	
A	B
3056	2196
3060	2214
3064	2231
3068	2248
3072	2267

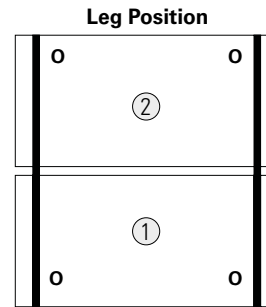
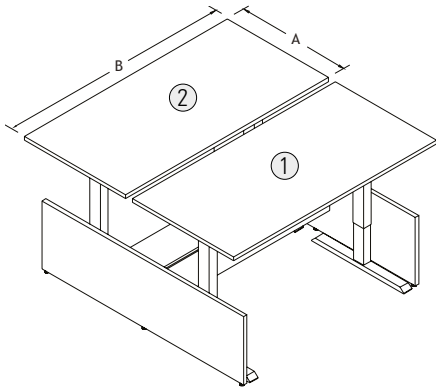
### How to Order

EL	AB	LPSFF	BL (std)	GRL GRC GRR GLR (std)	PGR L PGR R PG LR (std)	WAVC NWAV (std)	CAPF CBPF CCPF	MH3A MH3B MH3C MH3D	L R LR	QIBLA QIBLB
series	dimensions	product	leg finish	grommet position	leg grommet	cutout (Appx. B)	grommet style	connectivity+position (Appx. B)	Qi (Appx. B)	
<b>Example</b> EL	3060	LPSFF	SN	GRC	PNGR	NWAV	CAPF	MH3BR	QIBLA	

# Height Adjustable Desks

## Double Rectangular Desk with Laminate Panel Leg

LPMD00 - LPDM00



Offset left and right of 4"

### Manufacturing Standards

- Delivered disassembled;
- 1" thick laminate top and panel;
- Wire management channel with cutout for wires;
- 18"H modesty;
- 2 positioning brackets per individual desk;
- 2 section metal leg;
- 1 motor, two stage system;
- Control panel with LED display;
- Height: programmable to 3 positions from 27" to 47";
- Maximum load on frame: 220 lbs;
- Metal legs with matching levelers;
- White levelers on laminate panel.

*Suggested clearance of 2" between wrksurfaces. The lengths of the tops must be the same on both desks.*

*Grommets are recess back 5-1/2".*

*Grommet and connectivity options cannot be specified in the same position. Example of what not to do: GRC and MH3A C together.*

*MH3 connectivity units are also available with a 120" plug in cable p. 38.*

### Options

**Leg Grommet**

**PGR**

\$0

**Cutout for wires**

\$25 ea.

**Grommet/Connectivity**

\$25 ea.   \$378   \$378   \$378

**Wireless Charger**

\$588

### Prices

**Price per individual desk**

Dimensions	
A	B
3056	1967
3060	1976
3064	1983
3068	1992
3072	2000

**Price per double desk**

Dimensions	
A	B
3056	3932
3060	3950
3064	3968
3068	3984
3072	4003

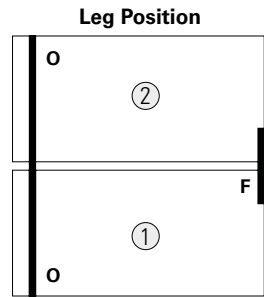
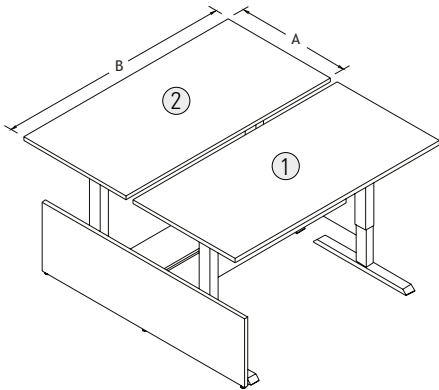
### How to Order

		A	B	BL SN (std)	GRL GRC GRB GLR NGR (std)	PGR L PGR R PG LR PNGR (std)	WAVC NWAV (std)	CAPF CBPF CCPF	MH3A MH3B MH3C MH3D	L C R LR	QIBLA QIBLB
<b>1</b>	EL										
<b>2</b>	EL										
<b>Example 1</b>	EL	3060	LPMD00	SN	GRC	PNGR	NWAV	CAPF	MH3BR		QIBLA
<b>Example 2</b>	EL	3060	LPDM00	SN	GRC		NWAV	CAPF	MH3BR		QIBLA

# Height Adjustable Desks

## Double Rectangular Desk with Laminate Panel Leg

LPMDOF - LPDMFO



Offset left of 4" / Flush right

### Manufacturing Standards

- Delivered disassembled;
- 1" thick laminate top and panel;
- Wire management channel with cutout for wires;
- 18"H modesty;
- 2 positioning brackets per individual desk;
- 2 section metal leg;
- 1 motor, two stage system;
- Control panel with LED display;
- Height: programmable to 3 positions from 27" to 47";
- Maximum load on frame: 220 lbs;
- Metal legs with matching levelers;
- White levelers on laminate panel.

*Suggested clearance of 2" between wrksurfaces. The lengths of the tops must be the same on both desks.*

*Grommets are recess back 5-1/2".*

*Grommet and connectivity options cannot be specified in the same position. Example of what not to do: GRC and MH3A C together.*

*MH3 connectivity units are also available with a 120" plug in cable p. 38.*

### Options

**Leg Grommet**

**PGR**

\$0

**Cutout for wires**

**C**

\$25 ea.

**Grommet/Connectivity**

**L C R LR**

\$25 ea. \$378 \$378 \$378

**Wireless Charger**

\$588

### Prices

**Price per individual desk**

Dimensions	
A	B
3056	1979
3060	1987
3064	1996
3068	2003
3072	2014

**Price per double desk**

Dimensions	
A	B
3056	3959
3060	3974
3064	3991
3068	4010
3072	4026

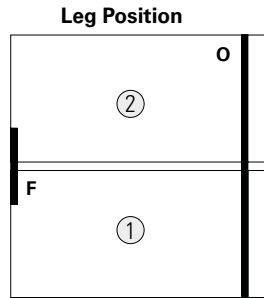
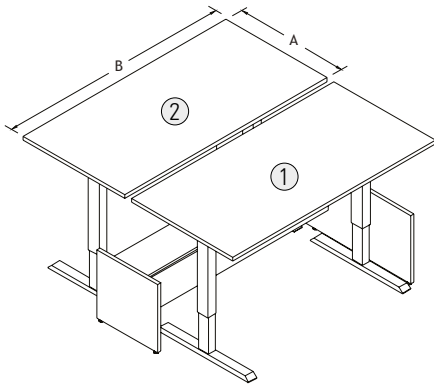
### How to Order

		A	B	BL SN (std)	GRL GRC GRB GLR NGR (std)	PGR L PGR R PG LR PNGR (std)	WAVC NWAV (std)	CAPF CBPF CCPF	MH3A MH3B MH3C MH3D	L R LR	QIBLA QIBLB
<b>1</b>	EL										
<b>2</b>	EL										
<b>Example 1</b>	EL	3060	LPMDOF	SN	GRC	PNGR	NWAV	CAPF	MH3BR		QIBLA
<b>Example 2</b>	EL	3060	LPDMFO	SN	GRC		NWAV	CAPF	MH3BR		QIBLA

# Height Adjustable Desks

## Double Rectangular Desk with Laminate Panel Leg

LPMDFO - LPDMOF



Flush left / Offset right of 4"

**Manufacturing Standards**

- Delivered disassembled;
- 1" thick laminate top and panel;
- Wire management channel with cutout for wires;
- 18"H modesty;
- 2 positioning brackets per individual desk;
- 2 section metal leg;
- 1 motor, two stage system;
- Control panel with LED display;
- Height: programmable to 3 positions from 27" to 47";
- Maximum load on frame: 220 lbs;
- Metal legs with matching levelers;
- White levelers on laminate panel.

*Suggested clearance of 2" between wrksurfaces. The lengths of the tops must be the same on both desks.*

*Grommets are recess back 5-1/2".*

*Grommet and connectivity options cannot be specified in the same position. Example of what not to do: GRC and MH3A C together.*

*MH3 connectivity units are also available with a 120" plug in cable p. 38.*

**Options**

**Leg Grommet**

**PGR**

\$0

**Cutout for wires**

**C**

\$25 ea.

**Grommet/Connectivity**

**L C R LR**

\$25 ea. \$378 \$378 \$378

**Wireless Charger**

**A B**

\$588

**Prices**

**Price per individual desk**

Dimensions	
A	B
3056	1979
3060	1987
3064	1996
3068	2003
3072	2014

**Price per double desk**

Dimensions	
A	B
3056	3959
3060	3974
3064	3991
3068	4010
3072	4026

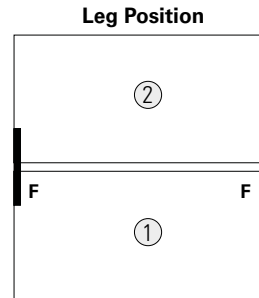
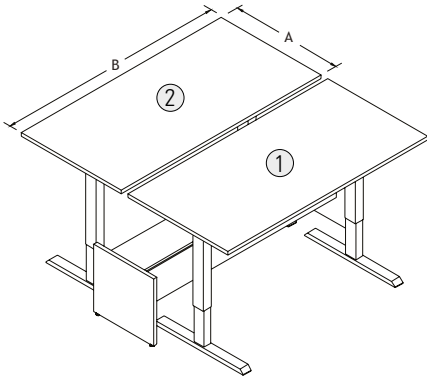
**How to Order**

		A B	BL SN (std)	GRL GRC GRB GLR NGR (std)	PGR L PGR R PG LR PNGR (std)	WAVC NWAV (std)	CAPF CBPF CCPF	MH3A MH3B MH3C MH3D	L R LR	QIBLA QIBLB
<b>1</b>	EL									
<b>2</b>	EL									
<b>Example 1</b>	EL	3060	LPMDFO	SN	GRC	PNGR	NWAV	CAPF	MH3BR	QIBLA
<b>Example 2</b>	EL	3060	LPDMOF	SN	GRC		NWAV	CAPF	MH3BR	QIBLA

# Height Adjustable Desks

## Double Rectangular Desk with Laminate Panel Leg

LPMDFF - LPDMFF



Flush left and right

**Manufacturing Standards**

- Delivered disassembled;
- 1" thick laminate top and panel;
- Wire management channel with cutout for wires;
- 18"H modesty;
- 2 positioning brackets per individual desk;
- 2 section metal leg;
- 1 motor, two stage system;
- Control panel with LED display;
- Height: programmable to 3 positions from 27" to 47";
- Maximum load on frame: 220 lbs;
- Metal legs with matching levelers;
- White levelers on laminate panel.

*Suggested clearance of 2" between wrksurfaces. The lengths of the tops must be the same on both desks.*

*Grommets are recess back 5-1/2".*

*Grommet and connectivity options cannot be specified in the same position. Example of what not to do: GRC and MH3A C together.*

*MH3 connectivity units are also available with a 120" plug in cable p. 38.*

**Options**

**Leg Grommet**

PGR

\$0

**Cutout for wires**

C

\$25 ea.

**Grommet/Connectivity**

L C R

LR

\$25 ea. \$378 \$378 \$378

**Wireless Charger**

A B

\$588

**Prices**

**Price per individual desk**

Dimensions	
A	B
3056	1940
3060	1949
3064	1958
3068	1967
3072	1976

**Price per double desk**

Dimensions	
A	B
3056	3881
3060	3898
3064	3914
3068	3932
3072	3950

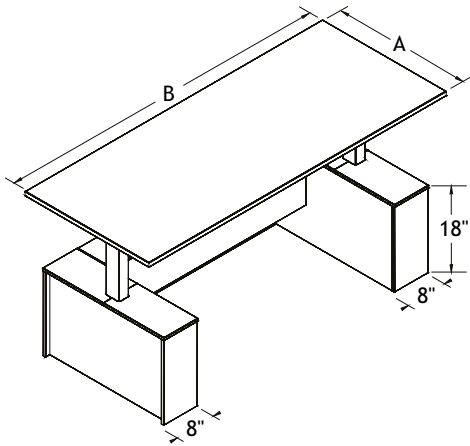
**How to Order**

		A B	BL SN (std)	GRL GRC GRB GLR NGR (std)	PGR L PGR R PG LR PNGR (std)	WAVC NWAV (std)	CAPF CBPF CCPF	MH3A MH3B MH3C MH3D	L C R LR	QIBLA QIBLB
<b>1</b>	EL									
<b>2</b>	EL									
<b>Example 1</b>	EL	3060	SN	GRC	PNGR	NWAV	CAPF	MH3BR		QIBLA
<b>Example 2</b>	EL	3060	SN	GRC		NWAV	CAPF	MH3BR		QIBLA

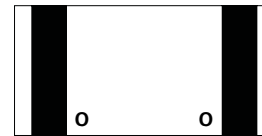
# Height Adjustable Desks

## Rectangular Desk with Laminate Boxed Leg

LBS00



### Leg Position



Offset left and right of 4"

### Manufacturing Standards

- Delivered disassembled;
- 1" thick laminate top and panel;
- Wire management channel with cutout for wires;
- 18"H modesty;
- 2 section metal leg;
- 1 motor, two stage system;
- Control panel with LED display;
- Height: programmable to 3 positions from 27" to 47";
- Maximum load on frame: 220 lbs;
- Metal legs with matching levelers;

**Modesty:** If choice of modesty is not specified, the standard FM (18"H) will be used, PM (10"H) modesty is available at no extra charge.

Grommets are recess back 5-1/2".

Grommet and connectivity options cannot be specified in the same position. Example of what not to do: GRC and MH3A C together.

MH3 connectivity units are also available with a 120" plug in cable p. 38.

### Options

Modesty		Leg Grommet		Cutout for wires		Grommet/Connectivity			Wireless Charger
Partial Modesty 10" high	Full Modesty 18" high	L R LR	C	L C R LR	A B				
\$0	\$0	PGR \$0	\$25 ea.	\$25 ea.   \$378   \$378   \$378	\$588				

### Prices

Dimensions	
A	B
3056	2999
3060	3017
3064	3031
3068	3052
3072	3067
3456	3057
3460	3075
3464	3099
3468	3120
3472	3141

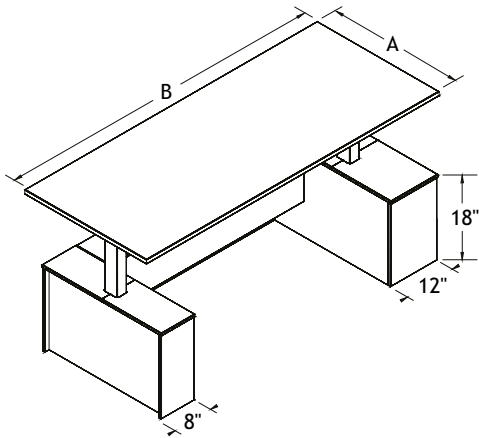
### How to Order

EL	AB	LBS00	BL SN (std)	PM FM (std)	GRL GRC GRR GLR NGR (std)	PGR L PGR R PG LR PNGR (std)	WAVC NWAV (std)	CAPF CBPF CCPF	MH3A MH3B MH3C MH3D	L C R LR	QIBLA QIBLB
series	dimensions	product	leg finish	modesty	grommet position	leg grommet	cutout (Appx. B)	grommet style	connectivity+position (Appx. B)	Qi (Appx. B)	
<b>Example</b>	EL	3060	LBS00	SN	FM	GRC	PNGR	NWAV	CAPF	MH3BR	QIBLA

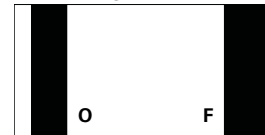
# Height Adjustable Desks

## Rectangular Desk with Laminate Boxed Leg

LBSOF



### Leg Position



Offset left of 4" / Flush right

### Manufacturing Standards

- Delivered disassembled;
- 1" thick laminate top and panel;
- Wire management channel with cutout for wires;
- 18"H modesty;
- 2 section metal leg;
- 1 motor, two stage system;
- Control panel with LED display;
- Height: programmable to 3 positions from 27" to 47";
- Maximum load on frame: 220 lbs;
- Metal legs with matching levelers;

**Drawer:** The drawer option is only available on the flush boxed leg. For handles other than H052 standard, please choose from the Logiflex list at no extra charge p. 43.

**Modesty:** If choice of modesty is not specified, the standard FM (18"H) will be used, PM (10"H) modesty is available at no extra charge.

Grommets are recess back 5-1/2".

Grommet and connectivity options cannot be specified in the same position. Example of what not to do: GRC and MH3A C together.

MH3 connectivity units are also available with a 120" plug in cable p. 38.

### Options

Modesty		Leg Grommet		Grommet/Connectivity			Wireless Charger		Drawer
Partial Modesty 10" high	Full Modesty 18" high	PGR	Cutout for wires	L C R	LR	A B			
\$0	\$0	\$0	\$25 ea.	\$25 ea.	\$378	\$378	\$588	\$92	

### Prices

Dimensions	
A	B
3056	3014
3060	3029
3064	3048
3068	3065
3072	3083
3456	3069
3460	3092
3464	3113
3468	3135
3472	3155

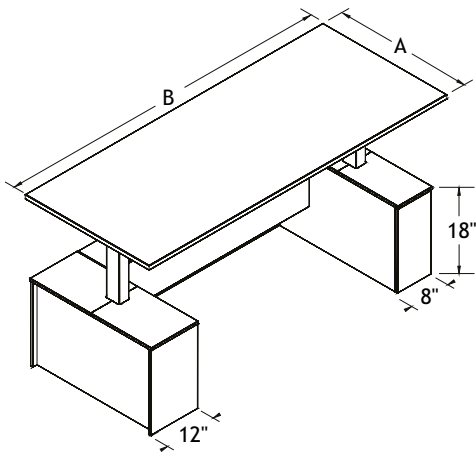
### How to Order

EL	AB	LBSOF	BL	PM	GRL	GRC	GRR	GLR	PGR L	PGR R	PG LR	PNGR	WAVC	NWAV	CAPF	CBPF	CCPF	MH3A	MH3B	MH3C	MH3D	L	C	R	LR	QIBLA	QIBLB	DRR	NDR	H052SN
series	dimensions	product	leg finish	modesty	grommet position				leg grommet				cutout (Appx. B)				grommet style				connectivity+position (Appx. B)				Qi (Appx. B)		drawer		handles (p. 43)	
<b>Example</b>	EL	3060	LBSOF	SN	FM	GRC	PNGR	NWAV	CAPF	MH3BR	QIBLA	NDR	H052SN																	

# Height Adjustable Desks

## Rectangular Desk with Laminate Boxed Leg

LBSFO



### Leg Position



Flush left / Offset right of 4"

### Manufacturing Standards

- Delivered disassembled;
- 1" thick laminate top and panel;
- Wire management channel with cutout for wires;
- 18"H modesty;
- 2 section metal leg;
- 1 motor, two stage system;
- Control panel with LED display;
- Height: programmable to 3 positions from 27" to 47";
- Maximum load on frame: 220 lbs;
- Metal legs with matching levelers;

**Drawer:** The drawer option is only available on the flush boxed leg. For handles other than H052 standard, please choose from the Logiflex list at no extra charge p. 43.

**Modesty:** If choice of modesty is not specified, the standard FM (18"H) will be used, PM (10"H) modesty is available at no extra charge.

Grommets are recess back 5-1/2".

Grommet and connectivity options cannot be specified in the same position. Example of what not to do: GRC and MH3A C together.

MH3 connectivity units are also available with a 120" plug in cable p. 38.

### Options

Modesty		Leg Grommet		Grommet/Connectivity			Wireless Charger	Drawer
Partial Modesty 10" high	Full Modesty 18" high	PGR	C	L C R	LR	A B		L
\$0	\$0	\$0	\$25 ea.	\$25 ea.	\$378	\$378	\$588	\$92

### Prices

Dimensions	
A	B
3056	3014
3060	3029
3064	3048
3068	3065
3072	3083
3456	3069
3460	3092
3464	3113
3468	3135
3472	3155

### How to Order

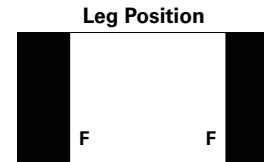
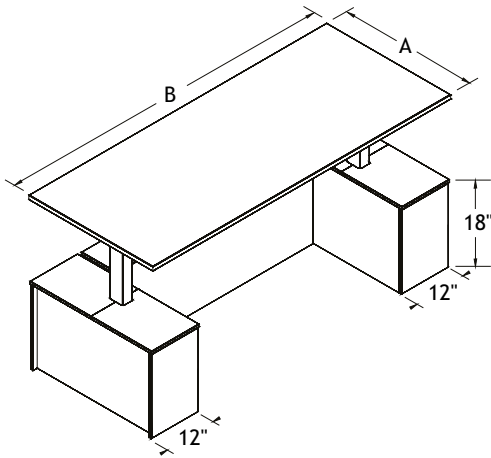
EL	AB	LBSFO	BL	PM	GRL	GRC	GRR	GLR	PGR L	PGR R	PG LR	PNGR	WAVC	NWAV	CAPF	CBPF	CCPF	MH3A	MH3B	MH3C	MH3D	L	R	C	LR	QIBLA	QIBLB	DRL	NDR	H052SN
series	dimensions	product	leg finish	modesty	grommet position	leg grommet	cutout (Appx. B)	grommet style	connectivity+position (Appx. B)		Qi (Appx. B)	drawer	handles (p. 43)																	
<b>Example</b>	EL	3060	LBSFO	SN	FM	GRC	PNGR	NWAV	CAPF	MH3BR	QIBLA	NDR	H052SN																	



# Height Adjustable Desks

## Rectangular Desk with Laminate Boxed Leg

LBSFF



Flush left and right

### Manufacturing Standards

- Delivered disassembled;
- 1" thick laminate top and panel;
- Wire management channel with cutout for wires;
- 18"H modesty;
- 2 section metal leg;
- 1 motor, two stage system;
- Control panel with LED display;
- Height: programmable to 3 positions from 27" to 47";
- Maximum load on frame: 220 lbs;
- Metal legs with matching levelers;

**Drawer:** The drawer option is only available on the flush boxed leg. For handles other than H052 standard, please choose from the Logiflex list at no extra charge p. 43.

**Modesty:** If choice of modesty is not specified, the standard FM (18"H) will be used, PM (10"H) modesty is available at no extra charge.

Grommets are recess back 5-1/2".

Grommet and connectivity options cannot be specified in the same position. Example of what not to do: GRC and MH3A C together.

MH3 connectivity units are also available with a 120" plug in cable p. 38.

### Options

Modesty		Leg Grommet		Grommet/Connectivity			Wireless Charger	Drawer
Partial Modesty 10" high	Full Modesty 18" high	PGR	C	L C R	LR	A B		L R LR
\$0	\$0	\$0	\$25 ea.	\$25 ea.	\$378	\$378	\$588	\$92 ea.

### Prices

Dimensions	
A	B
3056	3026
3060	3045
3064	3062
3068	3079
3072	3096
3456	3084
3460	3105
3464	3128
3468	3148
3472	3171

### How to Order

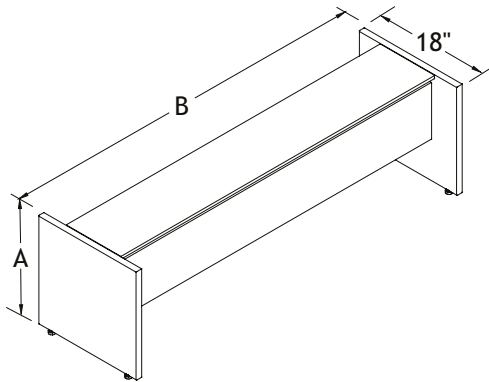
EL	AB	LBSFF	BL	PM	GRL GRC GRB GLR	PGR L PGR R PG LR PNGR	WAVC NWAV	CAPF CBPF CCPF	MH3A MH3B MH3C MH3D	L C R LR	QIBLA QIBLB	DRL DRR DLR NDR	H052SN
series	dimensions	product	leg finish	modesty	grommet position	leg grommet	cutout (Appx. B)	grommet style	connectivity+position (Appx. B)	Qi (Appx. B)	drawer	handles (p. 43)	
<b>Example</b>	EL	3060	LBSFF	SN	FM	GRC	PNGR	NWAV	CAPF	MH3BR	QIBLA	NDR	H052SN

# Height Adjustable Desks



## Laminate Wire Management for Elevation Desks

### LWM



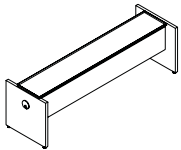
### Manufacturing Standards

- Wire management channel;
- White levelers;

**Note:** The laminate wire management channel was designed to be used with the Elevation collection bases and is not recommended to be used with other manufacturer's products

### Options

#### Leg Grommet



PGR  
\$0

### Prices

Dimensions	
A	B
1844	540
1850	557
1856	575
1862	591
1868	609

### How to Order

	AB		PGR L PGR R PG LR PNGR (std)
EL		LWM	
series	dimensions	product	leg grommet

**Example** EL 1844 LWM PGR

---

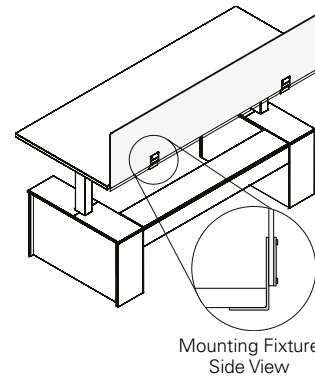
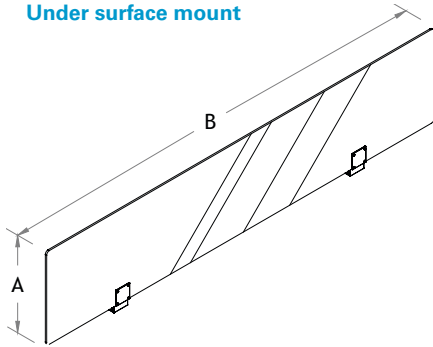
# Divider Screens

# Divider Screens

## Acrylic

### UAS

Under surface mount



### Manufacturing Standards

- Acrylic divider screen, frosted finish (PL), to be installed above a surface;
- 2 satin nickel finish metal mounts for mounting under a surface.

C1: Acrylic 1/4"  
C2: Acrylic 3/8"

Dimension "B" is 1/2" recessed.

### Prices

Dimensions			
A	B	C1	C2
1524		327	382
1530		347	416
1536		366	447
1542		385	483
1548		406	517
1554		425	549
1556		437	567
1560		445	583
1564		458	602
1566		465	617
1568		475	634
1572		486	652

2124		435	
2130		483	
2136		530	
2142		578	
2148		624	
2154		671	
2156		696	
2160		718	
2164		742	
2166		765	
2168		790	
2172		814	

### How to Order

EL	A B	UAS	C1 C2	BL SN (std)	PL (std)
series	dimensions	product	acrylic thickness	metal finish (Appx. A)	acrylic finish (Appx. A)

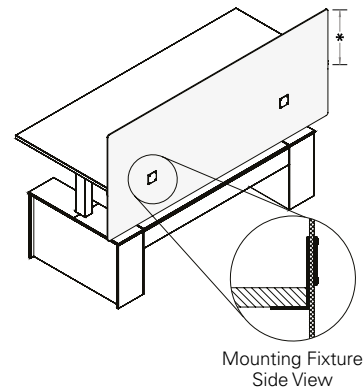
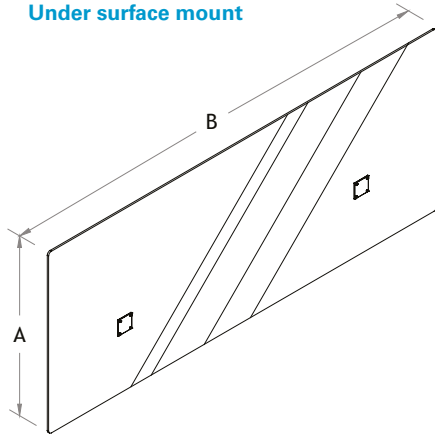
**Example** EL 1572 UAS C1 SN PL

# Divider Screens

## Acrylic

### UAC

Under surface mount



### Manufacturing Standards

- Acrylic divider screen, frosted finish (PL), to position in front of the surface;
- 2 satin nickel finish metal mounts for mounting under a surface.

\*Screen height above surface: 22"H = 13" / 24"H = 15"

C1: Acrylic 1/4"

C2: Acrylic 3/8"

Dimension "B" is 1/2" recessed.

Applicable only on single desks.

### Prices

Dimensions			
A	B	C1	C2
2224		373	463
2230		406	517
2236		438	570
2242		468	624
2248		501	676
2254		533	732
2256		548	759
2260		564	785
2264		581	814
2266		596	838
2268		613	866
2272		627	894

2424		384	481
2430		420	539
2436		454	596
2442		487	655
2448		523	713
2454		555	774
2456		575	801
2460		591	832
2464		608	860
2466		625	917
2468		645	888
2472		660	947

### How to Order

EL	A B	UAC	C1 C2	BL SN (std)	PL (std)
series	dimensions	product	acrylic thickness	metal finish (Appx. A)	acrylic finish (Appx. A)

**Example**

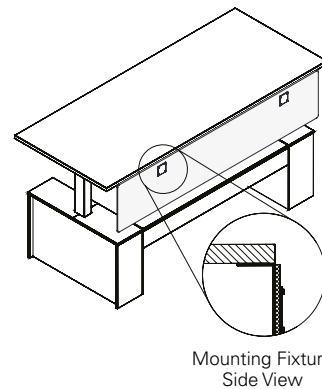
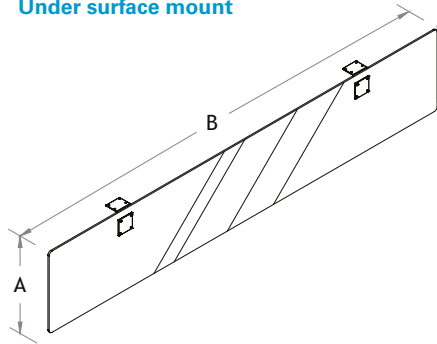
EL	2272	UAC	C1	SN	PL
----	------	-----	----	----	----

# Divider Screens

## Acrylic

### UAM

Under surface mount



### Manufacturing Standards

- Acrylic divider screen, frosted finish (PL), to be installed under a surface;
- 2 satin nickel finish metal mounts for mounting under a surface.

C1: Acrylic 1/4"  
C2: Acrylic 3/8"

Dimension "B" is 1/2" recessed.

### Prices

Dimensions			
A	B	C1	C2
0824		300	337
0830		313	359
0836		327	382
0842		340	405
0848		354	425
0854		366	447
0856		372	461
0860		379	470
0864		385	484
0866		392	495
0868		398	504
0872		406	517

### How to Order

EL	A B	UAM	C1 C2	BL SN (std)	PL (std)
series	dimensions	product	acrylic thickness	metal finish (Appx. A)	acrylic finish (Appx. A)

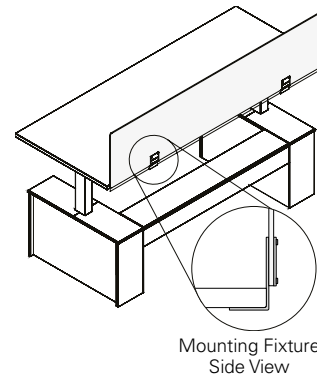
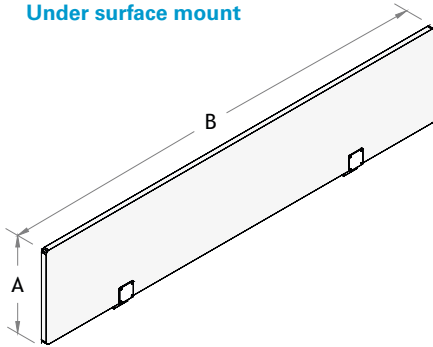
**Example** EL 0872 UAM C1 SN PL

# Divider Screens

## Tackboards

### UBS

Under surface mount



### Manufacturing Standards

- 7/8" thick tackboard covered with fabric to be installed above a surface;
- 2 satin nickel finish metal mounts for mounting under a surface.

Dimension "B" is 1/2" recessed.

### Prices

Dimensions		COM/GR1	GR2	GR3	GR4	GR5	GR6
A	B						
1524		414	431	458	480	502	526
1530		425	448	480	507	539	568
1536		438	466	502	539	574	609
1542		449	485	525	567	608	651
1548		464	501	548	596	645	693
1554		477	520	573	625	678	732
1556		484	527	583	643	698	754
1560		488	538	595	655	713	775
1564		496	545	604	670	732	795
1566		501	552	618	684	750	816
1568		507	563	629	700	771	836
1572		515	570	644	713	785	856

### How to Order

	A B		BL SN (std)
EL		UBS	
series	dimensions	product	metal finish (Appx. A)

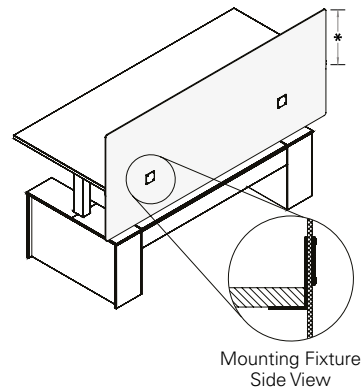
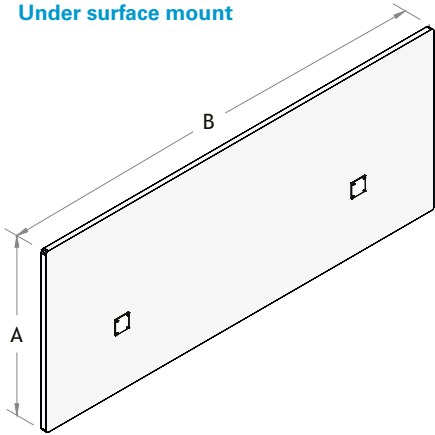
**Example** EL 1572 UBS SN

# Divider Screens

## Tackboards

### UBC

Under surface mount



### Manufacturing Standards

- 7/8" thick tackboard covered with fabric to position in front of the surface;
- 2 satin nickel finish metal mounts for mounting on a surface.

\*Screen height above surface: 22"H = 13" / 24"H = 15"

Dimension "B" is 1/2" recessed.

Applicable only on single desks.

### Prices

Dimensions		COM/GR1	GR2	GR3	GR4	GR5	GR6
A	B						
2224		445	475	513	551	590	627
2230		466	503	550	599	647	696
2236		486	532	589	647	702	759
2242		505	561	626	694	759	827
2248		526	588	663	739	816	891
2254		546	615	701	786	870	958
2256		557	628	720	811	902	989
2260		567	645	738	834	928	1023
2264		578	655	757	857	958	1058
2266		588	671	776	880	985	1090
2268		597	685	795	905	1015	1124
2272		608	700	814	927	1040	1154

2424	454	486	526	568	609	651
2430	474	517	568	618	671	721
2436	497	545	608	670	731	793
2442	520	576	650	720	792	865
2448	541	607	688	773	854	938
2454	563	636	730	823	914	1007
2456	575	653	750	840	946	1042
2460	585	667	772	874	977	1077
2464	596	683	791	901	1007	1111
2466	607	698	811	922	1036	1150
2468	618	712	832	957	1069	1188
2472	628	727	852	975	1098	1222

### How to Order

EL	A B	UBC	BL SN (std)
series	dimensions	product	metal finish (Appx. A)

**Example** EL 2224 UBC SN



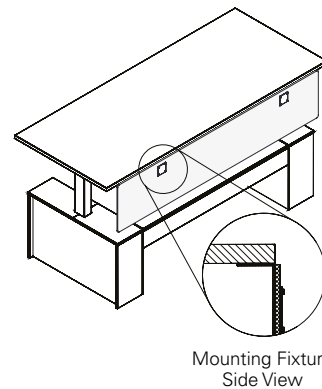
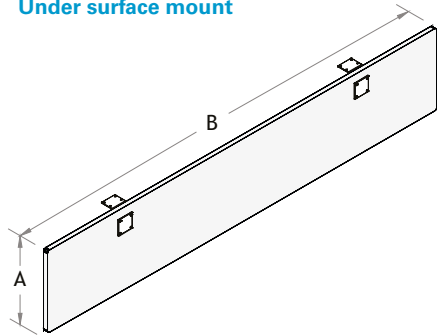
# Divider Screens



## Tackboards

### UBM

Under surface mount



### Manufacturing Standards

- 7/8" thick tackboard covered with fabric to be installed under a surface;
- 2 satin nickel finish metal mounts for mounting under a surface.

Dimension "B" is 1/2" recessed.

### Prices

Dimensions		COM/GR1	GR2	GR3	GR4	GR5	GR6
A	B						
0824		390	407	431	454	475	498
0830		403	425	456	481	508	539
0836		416	442	476	509	543	579
0842		427	462	499	539	578	617
0848		441	476	522	567	613	659
0854		456	495	544	595	646	698
0856		462	502	555	612	665	717
0860		466	512	567	625	679	738
0864		471	521	576	638	699	758
0866		479	527	591	653	717	778
0868		485	539	601	668	735	798
0872		490	545	614	681	750	818

### How to Order

EL	A B	UBM	BL SN (std)
series	dimensions	product	metal finish (Appx. A)

**Example** EL 0872 UBM SN

---

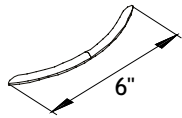
Accessories

# Accessories

## Handles

### HJA

Handle

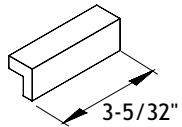


- 6" metal handle;
- 5-1/32" (128mm) center to center.

Code	\$	Description
HJA	13	<i>Satin Nickel</i>
HJAB	13	<i>Black</i>

### H051

Handle

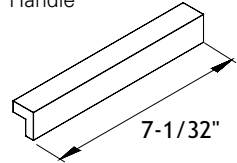


- 3-5/32" metal handle;
- 2-17/32" (64mm) center to center.

Code	\$	Description
H051CHR	13	<i>Chrome</i>
H051SN	13	<i>Satin Nickel</i>
H051BL	13	<i>Black</i>
H051WH	13	<i>White</i>

### H052

Handle

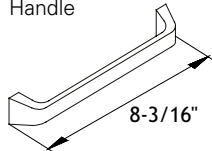


- 7-1/32" metal handle;
- 6-9/32" (160mm) center to center.

Code	\$	Description
H052CHR	13	<i>Chrome</i>
H052SN	13	<i>Satin Nickel</i>
H052BL	13	<i>Black</i>
H052WH	13	<i>White</i>

### H070

Handle

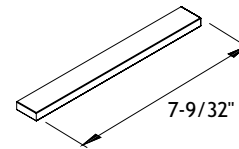


- 8-3/16" metal handle;
- 7-1/2" (190.5mm) center to center.

Code	\$	Description
H070BN	13	<i>Brushed Nickel</i>
H070CHR	13	<i>Chrome</i>

### H071

Handle

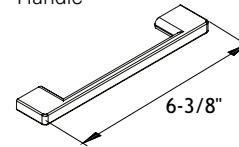


- 7-9/32" metal handle;
- 6-5/16" (160.338mm) center to center.

Code	\$	Description
H071CHR	13	<i>Chrome</i>
H071BN	13	<i>Brushed Nickel</i>
H071BL	13	<i>Black</i>
H071WH	13	<i>White</i>

### H072

Handle

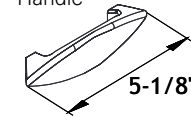


- 6-3/8" metal handle;
- 5-1/32" (127.8mm) center to center.

Code	\$	Description
H072CHR	13	<i>Chrome</i>
H072BL	13	<i>Black</i>
H072WH	13	<i>White</i>

### SXP003

Handle



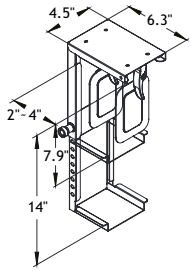
- 5-1/8" metal handle;
- 3-25/32" (96mm) center to center.

Code	\$	Description
SXP003	13	<i>Satin Nickel</i>

CPU Holders

MCPU50

Miniature CPU Holder

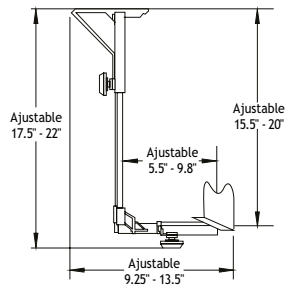


- Height adjustable: 8" - 14";
- Width adjustable: 2" - 4";
- Maximum capacity: 10 kg (22 lbs);
- Need a minimum 5" deep clearance.

Code	\$	Description
MCPU50	162	

MCPU90

CPU Holder



- Black metal CPU holder;
- Easy manipulation;
- Vertical adjustment:
  - Height: 15.5" x 20"
  - Width: 5.5" x 9.8"
- Horizontal adjustment:
  - Height: 17.5" x 22"
  - Width: 9.25" x 13.5"

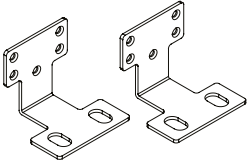
Code	\$	Description
MCPU90	195	<i>per unit</i>

# Accessories

## Miscellaneous Accessories

### KPBOO

Positioning Bracket

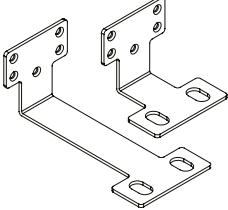


- Set of 2 positioning brackets laminate leg panels on Elevation desk models: LPSOO, LMPDOO and LPDMOO;
- Screws included ;
- Finishes: black and satin nickel.

Code	\$	Description
KPBOOBL	60	Black
KPBOOSN	60	Satin Nickel

### KPBOF

Positioning Bracket

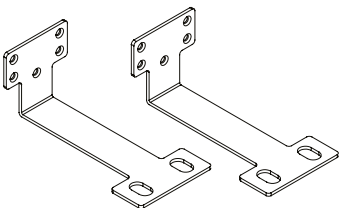


- Set of 2 positioning brackets laminate leg panels on Elevation desk models: LPSFO, LPMDFO and LPMDOF;
- Screws included ;
- Finishes: black and satin nickel.

Code	\$	Description
KPBOFBL	60	Black
KPBOFSN	60	Satin Nickel

### KPBFF

Positioning Bracket

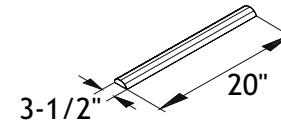


- Set of 2 positioning brackets laminate leg panels on Elevation desk models: LPSFF, LPMDF and LPDMFF;
- Screws included ;
- Finishes: black and satin nickel.

Code	\$	Description
KPBFFBL	60	Black
KPBFFSN	60	Satin Nickel

### AP

Wrist Rest

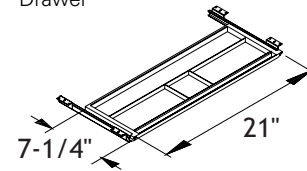


- Black gel wrist rest.

Code	\$	Description
AP	67	

### TCPM3

Drawer

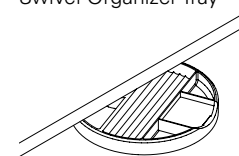


- Plastic sliding drawer;
- Finish: White and black;
- Need a minimum 10 1/2" deep clearance.

Code	\$	Description
TCPM3 BL	279	Black
TCPM3 WH	279	White

### SWV

Swivel Organizer Tray



- Storage drawer that rotate 360 degrees;
- Mounts flush to the edge;
- Dimensions: 8-1/4"D x 13-5/8"W x 1-3/8"H.

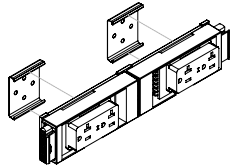
Code	\$	Description
SWV	60	

# Accessories

## Electrical Accessories

### BE-KDHB-1

Single sided power block (1)



Set including:

- 1 double half power block;
- 2 Duplex -1 circuit;
- 2 mounting plates;
- Max. 10 duplex per circuit (5 double half power block BE-KDHB-1).



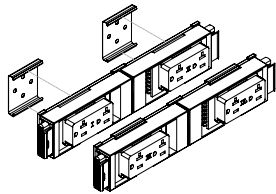
Code	\$	Description
------	----	-------------

BE-KDHB-1-BL	188	
--------------	-----	--

BE-KDHB-1-WH	198	
--------------	-----	--

### BE-KDHB-4

Single sided power block (2)



Set including:

- 2 Double half power block;
- 4 Duplex -1 of each circuit;
- 4 Mounting plates;
- Max. 40 duplex (20 double half power block).



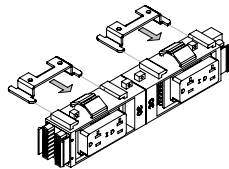
Code	\$	Description
------	----	-------------

BE-KDHB-4-BL	376	
--------------	-----	--

BE-KDHB-4-WH	386	
--------------	-----	--

### BE-KDBSM-1

Double sided power block



Set including:

- 1 double power block;
- 4 duplex -1 circuit;
- 2 slide mounting brackets;
- Max. 10 duplex per circuit (2 double power block).



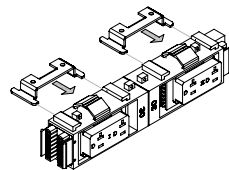
Code	\$	Description
------	----	-------------

BE-KDBSM-1-BL	351	
---------------	-----	--

BE-KDBSM-1-WH	369	
---------------	-----	--

### BE-KDBSM-4

Double sided power block



Set including:

- 1 double power block;
- 4 duplex -1 of each circuit;
- 2 slide mounting brackets;
- Max. 40 duplex (10 double power block).



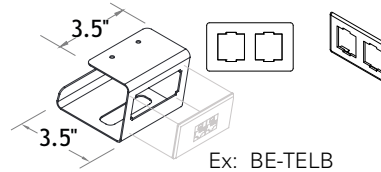
Code	\$	Description
------	----	-------------

BE-KDBSM-4-BL	351	
---------------	-----	--

BE-KDBSM-4-WH	369	
---------------	-----	--

### SMWM

Cable Support

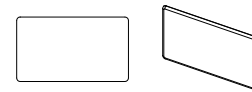


- 3.5" metal wire support with 1 telecom plate cutout;
- Satin nickel finish.

Code	\$	Description
SMWM	28	

### BE-TELA

Telecom plate



- Blank plate;
- 3-1/8" x 1-3/4";
- Colors: Black, White and Satin nickel;
- To be used with the APB, APF or AP2 cover plate option of the supply walls.

Code	\$	Description
------	----	-------------

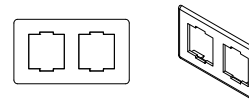
BE-TELA-BL	5	
------------	---	--

BE-TELA-WH	5	
------------	---	--

BE-TELA-SN	5	
------------	---	--

### BE-TELB

Telecom plate



- 2 spaces to install connection ports;
- 3-1/8" x 1-3/4";
- Adapter included.
- Colors: Black, White and Satin nickel.

Code	\$	Description
------	----	-------------

BE-TELB-BL	5	
------------	---	--

BE-TELB-WH	5	
------------	---	--

BE-TELB-SN	5	
------------	---	--

### BE-HW

Hardwired conduit power entry



\* To be connected to an electrical box by an electrician.

- 8 wires - 4 circuits 20A;
- For 8 trac system;
- Bare wires at one end
- Male end.

Code	\$	Description
------	----	-------------

BE-HW-72	171	8 wire, 4 circuit - 72"L
----------	-----	--------------------------

BE-HW-84	188	8 wire, 4 circuit - 84"L
----------	-----	--------------------------

BE-HW-96	208	8 wire, 4 circuit - 96"L
----------	-----	--------------------------

BE-HW-120	243	8 wire, 4 circuit - 120"L
-----------	-----	---------------------------

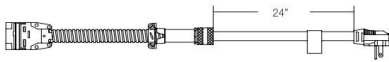
BE-HW-180	358	8 wire, 4 circuit - 180"L
-----------	-----	---------------------------

# Accessories

## Electrical Accessories

### BE-PI72

Corded Power entry



- Corded power entry of 72";
- Right angle 20 Amp plug;
- Male end;
- 1 circuit 20A;
- Must be plug on 20A outlet

Code	\$	Description
------	----	-------------

BE-PI72	213	
---------	-----	--

### BE-NYHW

NYC flex hardwired power infeed



- \* To be connected to an electrical box by an electrician.
- 8 wires - 4 circuits 20 A;
- Bare wires at one end;
- For 8 trac system;
- Male end.

Code	\$	Description
------	----	-------------

BE-NYHW-72	388	
BE-NYHW-84	407	
BE-NYHW-96	424	
BE-NYHW-108	443	
BE-NYHW-120	462	

### BE-J

M/M jumper



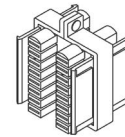
- Non-adjustable;
- 8 wire - 4 circuits;
- M/M;
- For 8 trac system;
- Minimum 12" - Maximum 216".

Code	\$	Description
------	----	-------------

BE-J12	109	8 wire cable / 4 circuit - 12"L
BE-J18	117	8 wire cable / 4 circuit - 18"L
BE-J24	124	8 wire cable / 4 circuit - 24"L
BE-J36	134	8 wire cable / 4 circuit - 36"L
BE-J42	144	8 wire cable / 4 circuit - 42"L
BE-J48	153	8 wire cable / 4 circuit - 48"L
BE-J54	160	8 wire cable / 4 circuit - 54"L
BE-J60	172	8 wire cable / 4 circuit - 60"L
BE-J66	180	8 wire cable / 4 circuit - 66"L
BE-J72	189	8 wire cable / 4 circuit - 72"L
BE-J78	197	8 wire cable / 4 circuit - 78"L
BE-J84	209	8 wire cable / 4 circuit - 84"L
BE-J96	226	8 wire cable / 4 circuit - 96"L
BE-J120	264	8 wire cable / 4 circuit - 120"L
BE-J216	490	8 wire cable / 4 circuit - 216"L

### BE-HC

Harness connector F/F



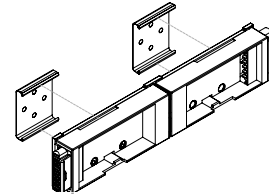
- Used to connect jumper cables and blocks together;
- 1-1/2" x 2-1/4".

Code	\$	Description
------	----	-------------

BE-HC	49	
-------	----	--

### BE-DHB

Single sided power block



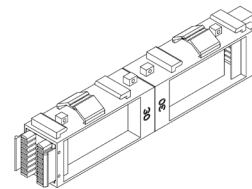
- Maximum of 2 duplex per block;
- Includes mounting plates ;
- F/F ;
- For 8-trac system ;
- Duplex ordered separately.

Code	\$	Description
------	----	-------------

BE-DHB	98	
--------	----	--

### BE-DBSM

Double sided power block



- Maximum of 4 duplex per block;
- For 8-trac system ;
- Slide mounting sold separately ;
- F/F ;
- Duplex ordered separately.

Code	\$	Description
------	----	-------------

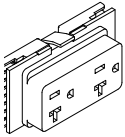
BE-DBSM	141	
---------	-----	--

# Accessories

## Electrical Accessories

### BE-D20-C

Duplex

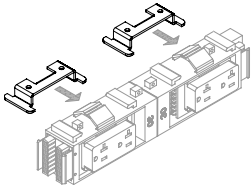


- 20 Amp;
- Height 1-1/18";
- For BE-DHB & BE-DBSM blocks ;
- Colors: Black or white ;
- Maximum of 10 Duplex per circuit.

Code	\$	Description
BE-D20-C-1-BL	45	Circuit 1 - 20A - Black
BE-D20-C-2-BL	45	Circuit 2 - 20A - Black
BE-D20-C-3-BL	45	Circuit 3 - 20A - Black
BE-D20-C-4-BL	45	Isolated Circuit 4 - 20A - Black
BE-D20-C-1-WH	50	Circuit 1 - 20A - White
BE-D20-C-2-WH	50	Circuit 2 - 20A - White
BE-D20-C-3-WH	50	Circuit 3 - 20A - White
BE-D20-C-4-WH	50	Isolated Circuit 4 - 20A - White

### BE-SM58-2

Slide mount bracket



- 2 brackets;
- Only for the double power block (BE DBSM);
  - 5/8" height;
  - Screws included.

Code	\$	Description
BE-SM58-2	30	

### WM

Velcro Tie

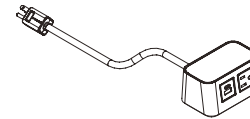


- Velcro tie for electrical cable;
- The non-metallic buckle is safe to use around electrical devices;
- Dimensions: 3/4" x 10";
- Color: black.

Code	\$	Description
WM	12	Unit price
WMS	13	with #8, 9/16" Robertson screw, per unit

### BR1

Branch unit

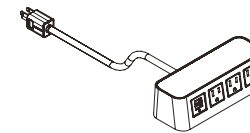


- 1 power outlet / 1 dual charger USB-a+c;
- Table top with braided storm 120 IN power cord.

Code	\$	Description
BR1BL	453	Black
BR1WH	581	White

### BR2

Branch unit

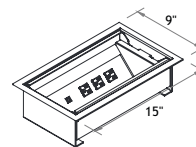


- 3 power outlet / 1 dual charger USB-a;
- Table top with braided storm 120 IN power cord.

Code	\$	Description
BR2BL	453	Black
BR2WH	581	White

### OAS

Oasis



- OAS A: 6 power receptacles, 2 USB (chargers), cutout for 1 Telecom plate;
- OAS B: 6 power receptacles, 2 USB (chargers), HDMI F/F with 36" patch cord attached, Mini Stereo Inline, 15 Pin HD VGA F/F with 72" patch cord attached;
- OAS C: 6 power receptacles, 2 USB (chargers), HDMI F/F with 36" patch cord attached;
- 108" power cable with electric plug;
- Satin Nickel finish.



Code	\$	Description
OASA	2472	
OASB	2862	
OASC	2670	

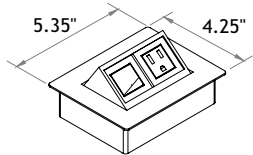


# Accessories

## Electrical Accessories

### MH3A

Connectivity unit



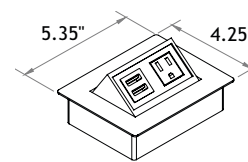
- Retractable connectivity unit with 1 electrical outlet and 1 empty telecommunication outlet (outlet not included);
- 72" or 120" power cable with electric plug;
- Finish: Satin Nickel.



Code	\$	Description
MH3A	378	Satin Nickel, 72" power cable
MH3A120	390	Satin Nickel, 120" power cable

### MH3D

Connectivity unit



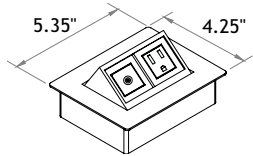
- Retractable connectivity unit with 1 electrical outlet and 2 USB (chargers);
- 72" or 120" power cable with electric plug;
- Finish: Satin Nickel.



Code	\$	Description
MH3DSN	378	Satin Nickel, 72" power cable
MH3DSN120	390	Satin Nickel, 120" power cable
MH3DBL	378	Black, 72" power cable
MH3DBL120	390	Black, 120" power cable
MH3DWH	378	White, 72" power cable
MH3DWH120	390	White, 120" power cable

### MH3B

Connectivity unit



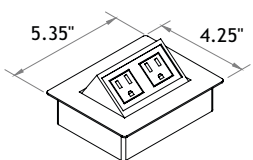
- Retractable connectivity unit with 1 audio jack and 1 electrical outlet;
- 72" or 120" power cable with electric plug;
- Finish: Satin Nickel.



Code	\$	Description
MH3B	378	Satin Nickel, 72" power cable
MH3B120	390	Satin Nickel, 120" power cable

### MH3C

Connectivity unit



- Retractable connectivity unit with 2 electrical outlets;
- 72" or 120" power cable with electric plug;
- Finish: Satin Nickel.



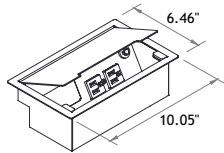
Code	\$	Description
MH3C	378	Satin Nickel, 72" power cable
MH3C120	390	Satin Nickel, 120" power cable

# Accessories

## Electrical Accessories

### INT

Interact



- Interact:
  - 72" power cable with electric plug for INT A, INT B and INT C models;
  - Satin Nickel finish.
- INT A: 2 power receptacles and a cutout for 1 telecom plate, 3rd electrical outlet on underside.
- INT B: 2 power receptacles, 3rd electrical outlet on underside, HDMI F/F with 36" patch cord attached, Mini Stereo Inline, 15 Pin HD VGA F/F.
- INT C: 2 power receptacles, 3rd electrical outlet on underside, HDMI F/F with 36" patch cord attached.



Code	\$	Description
INT A	680	
INT B	1072	
INT C	879	

*With electric plug*

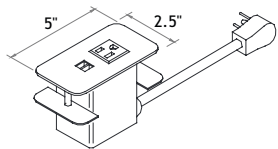


Code	\$	Description
INT A HW	524	
INT B HW	1072	
INT C HW	878	

*Hardwire: to be connected to an electrical box by an electrician.*

### COV1

Cove Unit



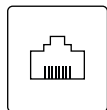
- 108" power cable with electric plug;
- Satin nickel finish.



Code	\$	Description
COV1	548	1 power, 2 USB (chargers)

### POR 01

RJ45, CAT 6 connectivity port

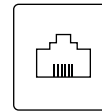


- RJ45, CAT6 connector;
- RJ45 M/F cable - 72" ;
- Finish: Black.

Code	\$	Description
POR 01	135	

### POR 02

RJ11 connectivity port

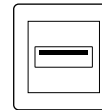


- RJ11 connector, 4 pin
- RJ11 M/F cable - 84";
- Finish: Black.

Code	\$	Description
POR 02	40	

### POR 03

USB connectivity port

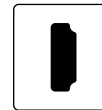


- 1 USB (data/passive);
- USB M/F cable - 72";
- Finish: Black.

Code	\$	Description
POR 03	84	

### POR 04

HDMI connectivity port

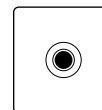


- HDMI connector;
- HDMI M/F cable - 18";
- Finish: Black.

Code	\$	Description
POR 04	124	

### POR 05

Mini Stereo Jack

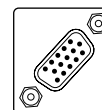


- 3.5 mm Mini Stereo Jack, M/F;
- Audio M/F cable -120";
- Finish: Black.

Code	\$	Description
POR 05	45	

### POR 06

VGA Connector



- VGA connector, 15 pin;
- VGA M/F cable -120";
- Finish: Black.

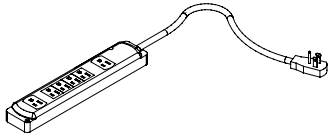
Code	\$	Description
POR 06	156	

# Accessories

## Electrical Accessories

### F-714

Power bar



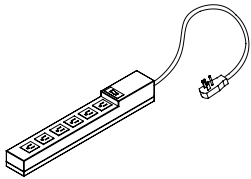
- Power bar with 6 AC 15 Amp electric outlets;
- 120" 14-3 power cable with electric plug.



Code	\$	Description
F-714	112	

### PBL

Power bar



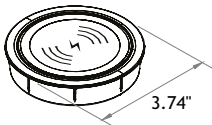
- Power bar with 6 electric outlets;
- 120" power cable with electric plug.



Code	\$	Description
PBL	58	

### QIBL

Wireless Charger



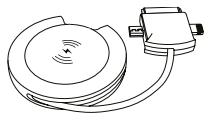
- Air charger wireless;
- Qi compatible device;
- 72" power cable with electric plug;
- Finish: Black.



Code	\$	Description
QIBL	588	

### QIRE

Qi Adapter

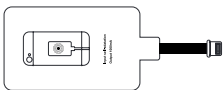


- Receiver to adapt devices not Qi compatible.
- Built-in connections for Apple 30 pin and lightning, Micro-USB.

Code	\$	Description
QIRE	162	

### QIIP

Transmitter for iPhone

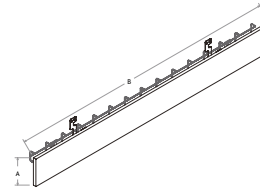


- Receiver for phones without Qi technology;
- For wireless charge devices;
- Adapter for Apple lightning port.

Code	\$	Description
QIIP	107	

### CTCOVER

Laminate cover

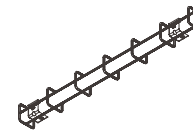


- Laminate cover for cable tray;
- Mounting brackets;
- Dimension "B" is 1/4" recessed.

Code	\$	Description
CTCOVER0630 44	6 x 30	
CTCOVER0636 50	6 x 36	
CTCOVER0642 55	6 x 42	
CTCOVER0648 61	6 x 48	
CTCOVER0654 66	6 x 54	
CTCOVER0660 72	6 x 60	
CTCOVER0666 77	6 x 66	
CTCOVER0672 83	6 x 72	
CTCOVER0678 88	6 x 78	
CTCOVER0684 94	6 x 84	

### CT

Metal cable tray



Metal cable tray

- In stainless steel;
- Dimensions: 2x4; Interior dimensions: 1-7/8"D x 1-7/8"H
- Length of 24" and 118" (118" can be cut on site).
- With mounting hardware

Code	\$	Description
CT24	50	
CT118	99	

# Accessories

## Electrical Accessories

### DSG

Double-sided grommet



Passe-fils double-face

- Hole diameter: 2.5"
- Use for electrical cable management with division panels. Drilling to be done by the installer.
- Grommet to cut on site for desired thickness to cover.

Code	\$	Description
DSG BL	22	Black
DSG WH	22	White

### WF36-WF55

Fabric sleeve for wires



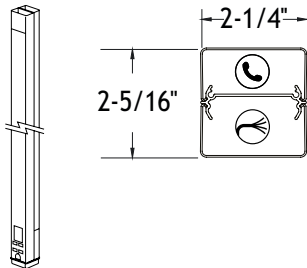
- Flexible fabric wire organizer;
- 3" diameter;
- With zipper.

Code	GR1	GR2	GR3	GR4	GR5	GR6
WF36	134	167	216	264	312	359
WF55	153	186	234	281	330	378

The standard fabric is Grade 2, Ennis Fabrics - Cornerblock Charcoal

### WMP

Wire Management Pole

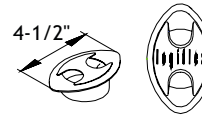


- Blank steel pole to bring cables from the ceiling to a work station;
- Satin nickel finish with a gray boot base;
- 2 compartments: 1 power/1 communications
- Mounting hardware, entrance end plate and ceiling trim plate included;
- Wires and outlets not included;
- Height: 12' 5"

Code	\$	Description
WMP	428	

### ELPF

Black Plastic Grommet

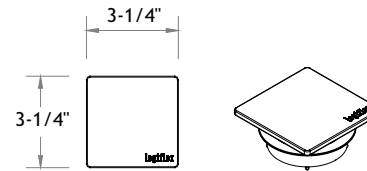


- Standard black plastic grommet with the Logiflex logo engraved;
- 2-1/2" diameter cutout.

Code	\$	Description
ELPF	5	Unit price

### C\_PF

Grommet

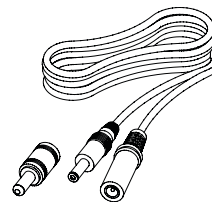


- Square metal grommet with the Logiflex logo engraved;
- Finish: Satin Nickel, Black and Chrome;
- 2-1/2" diameter cutout.

Code	\$	Description
CAPF	25	Unit price - Satin Nickel
CBPF	25	Unit price - Black
CCPF	25	Unit price - Chrome
CDPF	25	Unit price - White

### CTRL EXT

Controller Extension



- Extension with adaptor to position the Elevation desk controller on the right on 64" desktops or longer.

Code	\$	Description
CTRL EXT	32	

As our product line is constantly evolving and expanding, we recommend that you visit [logiflex.ca](http://logiflex.ca) for updates.

logiflex

1235 St-Roch N., Sherbrooke QC J1N 0H2 Canada  
T : 1.877.864.9323 | F : 1.800.474.7830 | [logiflex.ca](http://logiflex.ca)