

ELEVATION PLUS

Price List
CANADA 2025



logiflex

Table of Contents

Introduction	3	Accessories	40
Product Map	5	Handles	41
Product Map	6	CPU Holders	42
Our social responsibility	7	Computer Monitor Brackets	42
Conditions of Sale	7	Miscellaneous Accessories	43
Manufacturing Standards	8	Electrical Accessories	44
How to Use the Price List	9		
Appendix A: Colors and Finishes	10		
Appendix B : Elevation Plus adjustable tables	11		
Appendix C: Grommet and Connection Unit	13		
Appendix D : Elevation Plus Power Beam	14		
Appendix E : Laminate complements - Executive office	15		
Appendix F: Calculation/Use of Electrical Components	17		
Appendix G: Divider Screens	20		
Height Adjustable Tables	21		
Rectangular Tables	22		
L-Shaped Tables	23		
Power Beam - 1 side	24		
Power Beam - 2 sides	25		
Individual Shroud	26		
Individual Shroud with Drawers	27		
Shells	28		
Modesties for table with shrouds	30		
Laminated Cover	31		
Credenzas for Height Adjustable Table	32		
Open Storage for Height Adjustable Table	37		
Bookcases for Height Adjustable Table	38		

Update Summary

The Elevation Plus price list presents these principal modifications:

DATE	SECTION	MODIFICATIONS
March 3, 2025	All the Price List	<ul style="list-style-type: none"> All prices have been increased by approximately 3%.

Previous updates:

DATE	SECTION	MODIFICATIONS
December 11, 2024	Accessories	<ul style="list-style-type: none"> Price adjustment for CT24 and CT118 cable trays.
December 10, 2024	Accessories	<ul style="list-style-type: none"> Addition of the Shift double monitor arm with docking: SHIFT-2A.
October 8, 2024	Storage	<ul style="list-style-type: none"> Addition of Millenium credenzas and open storage : CLOEP, OCLEP, KOEP, OKEP & OEP. Addition of Volt credenzas and bookcase : CLOEP, OCLEP & BBLEP. Addition of Xtension credenzas and bookcase : KOEP, OKEP & BBLEP.
March 1, 2024	All the Price List	<ul style="list-style-type: none"> All prices have been increased by approximately 5%.
November 22, 2023	Appendix A	<ul style="list-style-type: none"> Removal of high gloss finish.
	Electrical accessories	<ul style="list-style-type: none"> Addition of the wire management system BE-WMS-32 & BE-WMD-32. Addition of items for 15a electric circuit: BE1-DMB, BE1-DC, BE1-PI, BE1-J & BE1-HC. Removal of QIRE, OAS, INT, COV1 & F-714. Replacement of QIBL by CQIBL & CQIWH.
July 4, 2023	Electrical accessories	<ul style="list-style-type: none"> Chicago Code : Certain electrical components are now marked prohibited or restricted for orders in chicago. (USA pricelist only).
May 22, 2023	All the Price List	<ul style="list-style-type: none"> Addition of white metal.
February 1, 2023	All the Price List	<ul style="list-style-type: none"> All prices have been increased by approximately 5%. New certification Indoor Advantage Gold (replace Greenguard). Changed WF36-WF55 to WS36-WS54 (fabric sleeve).

Introduction

Product Map

Height Adjustable Tables

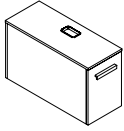
Power Beams

Tables p. 21

Power Beam p. 23

Laminate complements for executive office

Individual shroud p. 25



Shells p. 27

Modesties for table with shrouds p. 29

Laminate Cover p. 31

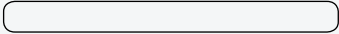
Divider Screens and modesties

Acrylic p. 30

Laminate p. 30

Tackboard p. 29

Introduction



Product Map

Credenzas

Millenium Credenzas p. 32

Volt Credenzas p. 34

Xtension Credenzas p. 35

Millenium open storage p. 37

Volt bookcase p. 38

Xtension bookcase p. 39

Our social responsibility

At Logiflex, we have chosen to be a responsible North American manufacturer by implementing initiatives for sustainable development. As much as possible, we source local materials and partner with suppliers who prioritize clean manufacturing processes. We also consolidate goods during transport to reduce our fuel consumption and we continually make changes that help reduce our waste production.

The company is ISO 9001 certified.

You can consult our eco-responsible approach as well as all our certifications in the [Certifications](#) section of our website. Find out how our products can help you obtain LEED credits and the Logiflex products that are Indoor Advantage Gold certified.

Conditions of Sale

Prices

The amounts listed in this document are suggested retail prices and may be changed without notice. Applicable taxes are not included. If you have an open and active account with Logiflex, merchandise will be invoiced at the prices prevailing at the time of shipment. A deposit may be requested if the opening of your account has not been completed or if your account has become inactive.

Terms of Payment

Net 30 days F.O.B. Sherbrooke, Quebec. The invoice will be assigned the shipping date and is payable 30 days from that date. Logiflex remains the owner of the merchandise until the invoice is paid in full.

Customized Products (Special Items)

Price requests for customized products or special items can be submitted via the ["Private Space"](#) section of our website, at www.logiflex.ca. Our quotations department will study your request and send you a quotation and a technical drawing for approval as soon as possible. Modifications to quotations or technical drawings can be requested the same way. The approved quotation(s) and technical drawing(s) can then be attached to your purchase order.

Orders

An official purchase order must be issued for all purchases. Your purchase order must contain the following information:

- Your company letterhead
- Your reference number
- The delivery address (with contact name, email and phone number)
- The complete product codes
- Furniture colour(s)
- Quantities
- Descriptions
- Retail prices and net prices
- Project registration number (if applicable), and your approved quotation and technical drawing (for special items).

Please note that a quotation cannot serve as a purchase order.

Returns

All returns must first be approved by Logiflex. If the return is accepted, a Logiflex customer service representative will send you an official return authorization form in order to facilitate procedures between you, the carrier, and the Logiflex merchandise reception clerk. Additional costs for shipping or other expenses may be applied following any merchandise returns.

Modifications and/or Cancellations

You have 48 hours from the time we acknowledge receipt of your order to make any requests for corrections or modifications. You may cancel your order during this same 48-hour period. If you would like to modify or cancel your order after this 48-hour verification period, please check with a Logiflex customer service representative. Orders cannot be changed or cancelled if production has already begun or if Logiflex has already received the raw materials.

Liability

Logiflex's liability ends once the carrier has delivered all items in good condition. A delivery receipt signed by the customer acknowledges that the shipment is complete and has been received in good condition.

Claims

Logiflex recommends inspecting the shipment before signing the carrier's delivery receipt. You must notify Logiflex of any incomplete shipments or damaged furniture within 30 days after delivery. Requests to replace damaged products can be made via the ["Private Space"](#) section of our website, at www.logiflex.ca. Our after-sales service department will examine your request and help you correct the situation.

Changes

Logiflex reserves the right to make changes to the materials, accessories, components, specifications and designs, and to discontinue collections and/or models, at any time and without prior notice.

Storage and/or Shipping Fees

According to the terms Logiflex set forth in the transport policy. The transport policy can be consulted online in the [Private Space](#).

Items Delivered Disassembled

Some items are delivered disassembled, such as empty desks, empty returns, bridges, arched tables, D, P or Q tables, lateral tables, end tables, hook tables, corner tables and extended-corner tables.

Warranty

Logiflex guarantees to the original purchaser that Logiflex products are free from defects in design, materials and workmanship for the product's lifetime, with certain exceptions.

You may consult the full warranty on the website: [Logiflex Warranty](#)

Introduction

Manufacturing Standards

Product Dimensions

The dimensions of the adjustable tables are exact. For storage, the dimensions indicated in the price list are rounded to the nearest inch in order to simplify the display. In fact, the actual dimensions are slightly smaller than the displayed dimensions for display purposes.

Handles

Handles are included with all storage furniture. The standard is H052SN. Please refer to the Logiflex accessories selection at the end of this price list on [p. 41](#).

Pedestals

All drawers are made of black Medium density fiberboard (MDF) with an average thickness of 7/16".

Drawer Fronts



A PVC strip 1.5 mm thick is systematically applied along all drawer front edges.

Levelers

All furniture items sit on 1" in diameter, white nylon levelers, allowing for up to 1-1/4" height adjustment.

Colors

Colors have to be specified for all furniture items ordered. Consult the "How to Order" section on the product page for further details about the procedure. Consult the [Logiflex Colors and Finishes Guide](#) for the colors and finishes offered. Unless indicated otherwise in the order, the PVC edge will match the color and finish specified.

SERIES	PREVIEW	COMPONENT	MATERIAL	EDGES / MOLDING
EP		1" surface	Thermofused laminate (TFL) - 1" high-density particle board.	1.5 mm polyvinyl chloride (PVC)
		Front, back and modesty	Thermofused laminate (TFL) - 5/8" high-density particle board.	1.5 mm polyvinyl chloride (PVC) on showing surfaces and 0.5 mm polyvinyl chloride (PVC) on non-showing surfaces.

Introduction

How to Use the Price List

Interactive Menu
 Product line → Height Adjustable Tables
 Product group → Rectangular Tables
 Product name → T
 Product code → T

Product image → [Image of a height adjustable table]

Navigation buttons
 Previous View
 Previous Page
 Next Page
 Product Map
 Table of Contents

Product-specific manufacturing standards
Manufacturing Standards
 Elevation Plus table with electric height adjustment:
 • 1" laminate rectangular top;
 • Two telescopic "T" legs (3 sections), on levelers. Metal finishes: Black or satin nickel;
 • Adjustment range: 24-1/2" to 50" H;
 • Multi-engine system with collision detector;
 • Maximum weight load: 320 lbs;
 • Programmable control keypad with up / down adjustment control, 3 memory settings and digital height display. The keyboard can be installed on the left or on the right;
 • Support bar;
 • Assembly required.
 Maximum height of under the desk storage: 19-1/2"
Screen or modesty: To add a divider screen or modesty panel, see p. 17
Technical Information: For full specifications see p. 9

Additional Product Information and Notes

Illustrated options
Options
 Cutout for wires (WAVC \$21)
 Grommet/Connectivity (C-PF \$21 ea., A \$320, B/C \$320, D \$320)
 Wireless Charger (QIBL \$498)

Navigation Buttons (when blue)

Ordering instructions
How to Order

EP	AB	T	BL SN (std)	WAVC (std) NWAV	GRC (std) NGR	MH3A, MH3B, MH3C, MH3D	L, C, R, LR	QI (Appx. B) QIBLA, QIBLB
series	dimensions	product	leg finish	cutout (Appx. B)	grommet position	connectivity+position (Appx. B)		QI (Appx. B)
Example EP	2958	T	SN	NWAV	GRC	MH3BR		QIBLA

 February 19, 2021 LOGIFLEX | ELEVATION PLUS 19

Prices
 Dimensions A, B
 23 46 ****
 23 52 ****
 23 58 ****
 23 64 ****
 23 70 ****
 29 46 ****
 29 52 ****
 29 58 ****
 29 64 ****
 29 70 ****

Prices
Dimensions

Blue text hyperlink

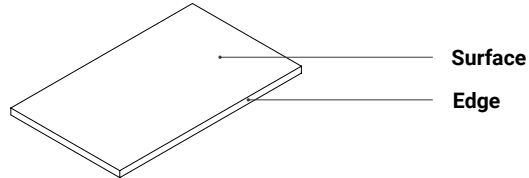
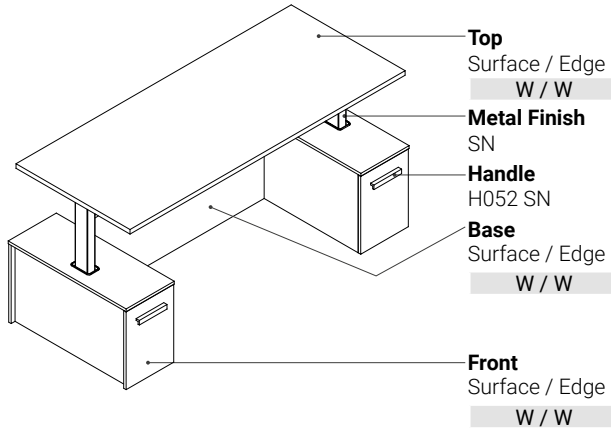
Standard Product Code
 Details as per the price listed

Options, if desired (\$)
 Always after the product code

Introduction

Appendix A: Colors and Finishes

How to specify your laminate colors



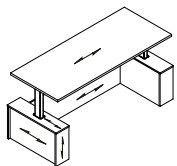
Metal Finishes

- SN** Satin Nickel
- BL** Black

Metal plates finishes

- SN** Satin Nickel
- BL** Black

Wood Grain



The wood grain is matched lengthwise on the desk surfaces, on the side legs and on the modesties. The wood grain is vertical on the fronts and surfaces of the laminate cases. See the illustration for the direction of the wood grain.

Availability Chart

FINI FINISH	CODE	COLOR COULEUR	THICKNESS ÉPAISSEUR			HPL STRATIFIÉ	PANVAL CODE
			5/8"	1"	1-5/8"		
OMNIA	DOO	Dosha	•	•		•	K77
	COO	Cosmos	•	•		•	K78
AURA	GIA	Ginger Root Gingembre	•	•		•	H72
	HAA	Haze Brume	•	•	•	•	H57
	OHA	Ohm	•	•	•	•	K69
	STA	Storm Tempête	•	•	•	•	H58
	TUA	Tundra	•	•		•	H75
LYRA	ASY	Asha	•	•		•	K47
	CIY	Chiffon Mousseline **	•	•	•	•	K60
	KAY	Kali	•	•		•	K46
SUPERMAT	IGS	Ingot grey Gris lingot	•	•			828
	WGS	Willow grey Gris saule	•	•			802
DOLOMITE	AU	Audacity Audace **	•	•	•	•	241
	B	Jet Black Noir intense *	•	•		•	888 S405-CA
	BC	Brown cherry Cerisier brun	•	•	•	•	207
	C	Slate Ardoise *	•	•		•	801
	DR	Driftwood Bois de rive	•	•		•	744
	G	Mink Grey Gris vison	•	•		•	805 OU-927
	NM	Natural Maple Érable naturel	•	•	•	•	206
	PO	Porto	•	•		•	913 OU-648
	SW	Smoked Walnut Noyer fumé	•	•	•	•	G21
	TO	Tobacco	•	•		•	205
	W	Polar White Blanc polaire	•	•	•	•	555 459-CA
WK	Whisky	•	•	•	•	245	

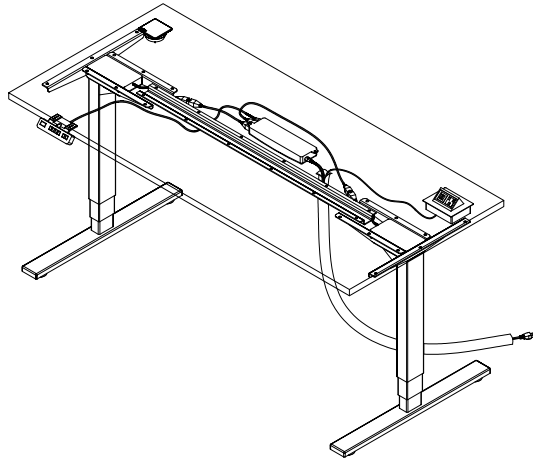
* Non recommended color for work surfaces.
Colors may vary from 2% to 5% between tfl and hpl laminates due to different technical applications.

See our complete [Colors & Finishes Guide](#)

New

Introduction

Appendix B : Elevation Plus adjustable tables



Elevation Plus height adjustable tables have a metal base with 3 sections and a satin nickel or black finish and a modern design that complements the styles of Logiflex's collections.

Features of the 3 section telescoping T legs

- 3 section rectangular telescoping column, 2"W x 3 1/8"D centered in leg;
- Base: 2 3/4"W x 1 1/2"H, available in 2 depths: 23 1/2" ou 27 1/2";
- Metal with black or satin nickel finish;
- Short levelers allow for stability adjustment only. Long levelers allow for a 1 1/4" adjustment.

Support bars

Tables come with one or several black support bars.

Cable ties

Four ties are provided with the base to tie cables beneath the top.

Electric height adjustment

- Height adjustable from 24-1/2" to 50"H, including the 1" top;
- Operating speed: 1-1/4" per second;
- Usage cycle: 2 min of continuous movement for 18 min of rest;
- Sound level: 42 dB;
- Collision detector:
 - 12 kg and up when desk is being raised;
 - 9 kg and up when desk is being lowered;
- Load capacity (including the weight of the work surface) :
 - Table only (2 legs): 320 lb;
 - Table with return (3 legs): 400 lb;

⚠ *Beyond this capacity, the table will not function properly*

- Weight of the work surfaces:
 - Rectangular Table: ranges from 25 lb (11 kg) to 47 lb (22 kg);
 - L shape Table: ranges from 50 lb (23 kg) to 73 lb (33 kg).

Electrical specifications

- Power cord with ordinary wall plug;
 - 2 legs: 70" without ground;
 - 3 legs: 118" with ground;
- Cord length from controller 60";
- Low standby power consumption;
- UL-certified (CAN-US).

⚠ *3.25 A/120 V, 60 Hz. Maximum 4.8 A.
We recommend a maximum of 3 tables on a 15 A circuit.*

- 3 tables on the same circuit 15A.
- 4 tables on the same circuit 20A.

Weight

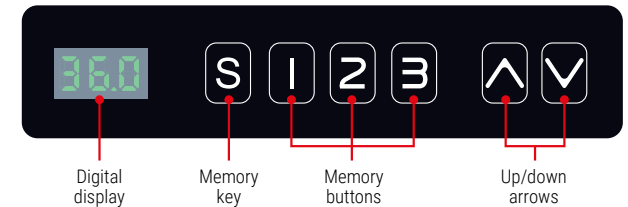
- Total weight of the 2 leg basic assembly: 56 lb.
- Total weight of the 3 leg basic assembly: 83 lb.

Standards and certifications

- Complies with ANSI / BIFMA X5.5-2014
- UL-certified (CAN-US)

Programmable keyboard

- Digital height display;
- 3 programmable settings;
- Up/down adjustment control;
- The keyboard can be installed on the drawer front, under the top, on left or right.



User manual summary

Memorize heights

1. Use the or arrows to reach the desired height.
2. Press . The height will blink.
3. Then press a number (, or) to save the height to the chosen button.
4. To use the memorized height, press the corresponding nu

Reset the table

1. Press and hold until the table is at the lowest height.
2. Release when RST appears and the lowest height is displayed.

The full manual is available on Logiflex's website.

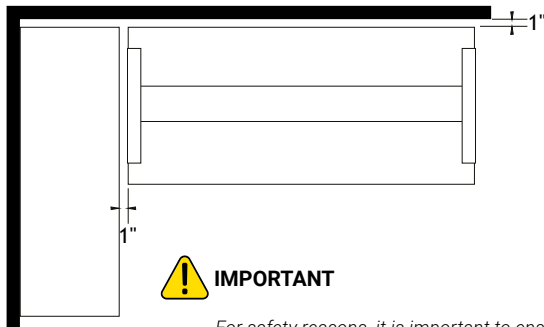
Introduction

Appendix B : Elevation Plus adjustable tables (cont.)

Clearance with surrounding walls furniture

The dimensions on the price list for Elevation Plus tables are exact. The tops are 1" less in depth and 2" less in width than the other collections.

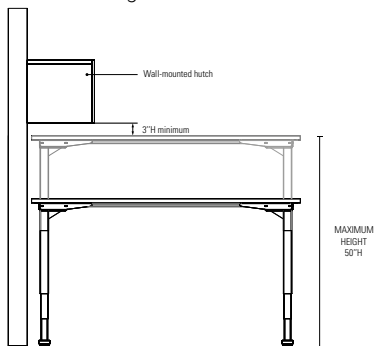
The 1" clearance created when the table is surrounded by partitions, divider screens or a panel system prevents fingers from getting caught in the mechanism when it is activated.



IMPORTANT
For safety reasons, it is important to ensure a 1" clearance on all sides of the Elevation Plus table.

Vertical clearance with furniture above

A space of at least 3" between the bottom of the hutch and the top of the adjustable table is recommended when the table is at its maximum height.



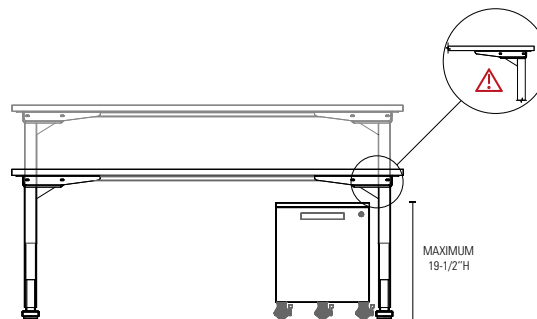
Interior vertical clearance

The interior clearance refers to the free space beneath the structural beams of the adjustable table when it is set to its lowest height.

To ensure that the adjustable table is compatible with a mobile pedestal, a credenza or any other storage unit, check the height of the storage unit.

The following products may be placed under the Elevation Plus table:

- Level: Mobile pedestal MOBC, low pedestal (without cushion);
- Volt: Mobile pedestal MOBC, low pedestal.

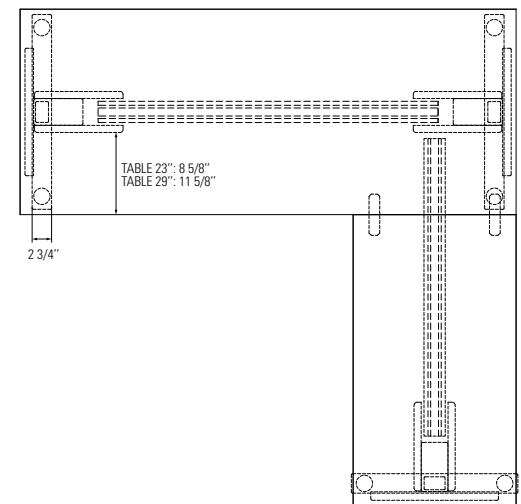


Position of legs

Below are the leg clearances depending on the top clearance:

- 23"D top = 23½" leg
- 29"D = 27½" leg

*For 23"D tops, the leg protrudes ¼" from each side of the top.



IMPORTANT

Undermount divider screens are incompatible with Elevation Plus legs, as they interfere with the legs and encroach on the 1" clearance required around the table.

Logiflex recommends using undermount screen dividers such as the SAS, SMS and SBS models.

Introduction



Appendix C: Grommet and Connection Unit

Several connectivity options can be added to the surfaces of Elevation Plus tables.

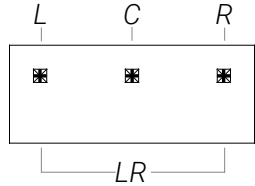
Note: 2 different units cannot be in the same position. For example, there cannot be a connection unit and a grommet on the left.

Grommet



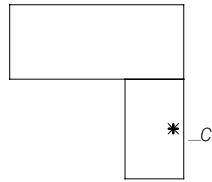
C_PF

Square metal grommet in satin nickel, chrome and black finish



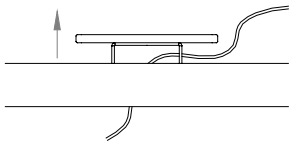
Position : L, C, R, LR

Main surface



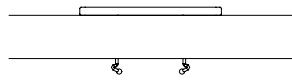
Position : C

Return



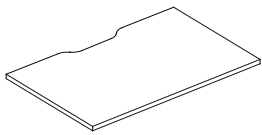
Open position

Allows wire management



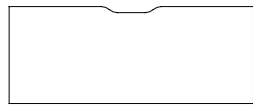
Closed position

Cutout for wires



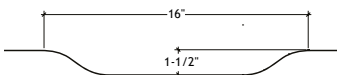
WAVC

Wire management cut-out

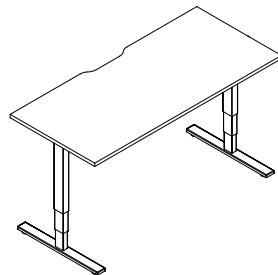


C

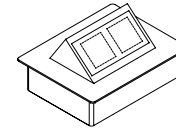
Position: C



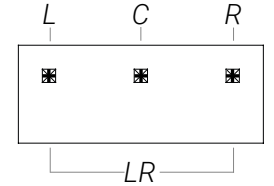
Dimensions



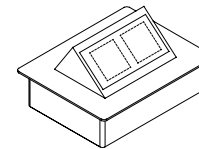
Connection Unit



MH3

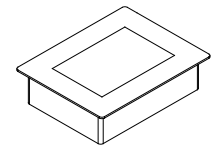


Position : L, C, R, LR



Open position

Push to open



Closed position

Wireless Charger

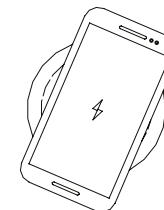


QIBL



A

B



Charges Qi capable devices

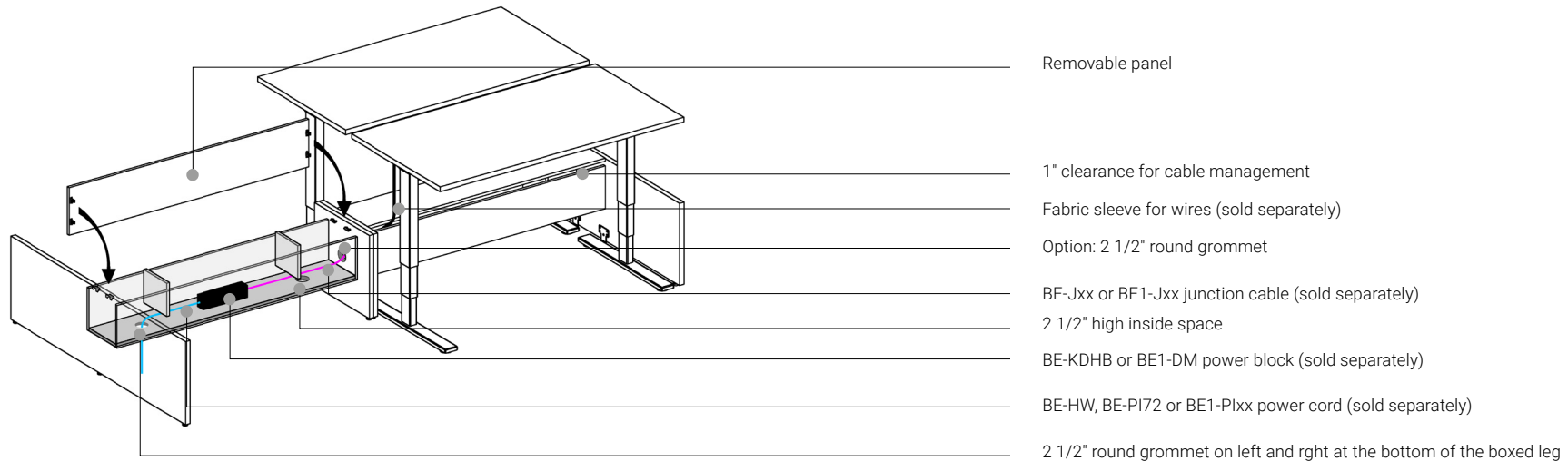
Introduction



Appendix D : Elevation Plus Power Beam

Power beam are visually pleasing, portable solution to organize power and network cables when a cluster of height adjustables tables is divided into several workstations. Power Beams are suited to either single or double (face-to-face) configurations.

⚠ Not compatible with desk add-ons for executive offices, such as laminate complements, shells and modesty panels.



Recommendations for specifying Power Beams

Guidelines for using Power Beams:

- For use along the length of rectangular or L shaped Elevation Plus tables. Do not use in the same direction as the return.
- Designed to leave a 1" clearance around the sides of the table to prevent pinching.
- Not compatible with desk add-ons for executive offices, such as laminate complements, shells and modesty panels.
- Not compatible with Level screens (modesty panels).
- A single power beam cannot be connected to a double power beam. The grommets will not align.
- **⚠** Warning: We cannot install the BE-DBSM 2-sided block in the power beams. This block is too large and sockets will not be accessible.

Introduction

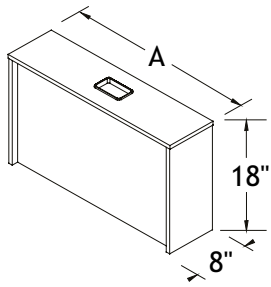


Appendix E : Laminate complements - Executive office

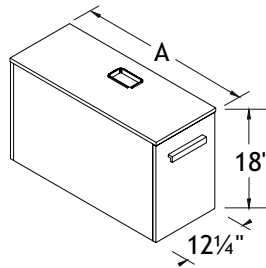
Components can be added to hide one or more legs of an Elevation Plus table.

- All of the components are specified separately to give you greater flexibility.
- These components are 18" high in order to leave a clearance beneath the top of the adjustable tables structure when they are set to the lowest position.
- Warning : *e, les coquilles et les modesties ne sont pas compatible avec la poutre d'alimentation.*

Individual shroud



Individual shroud

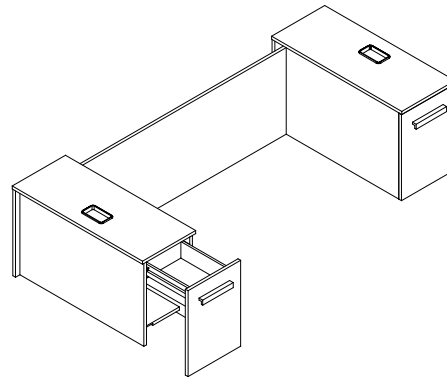


Individual shroud with drawer

Information about individual shroud:

- 2 models available:
 - Individual shroud (8"W), right or left;
 - Individual shroud with drawer (12¼"W), right or left.
- 2 depths:
 - 25", for 23" tops;
 - 30", for 29" tops.
- The nestle is finished with a plastic end plate matching the colour of the metal leg.

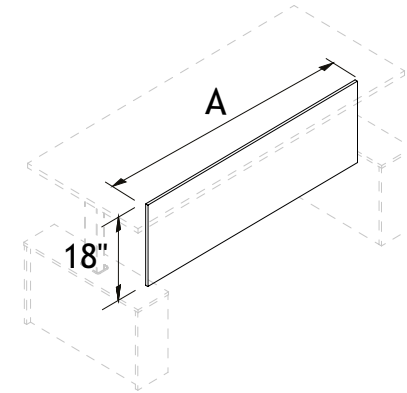
Shells



Information about shells:

- The shells are designed to be compatible with rectangular tables with a width of 52"W or more.
- 2 models available:
 - 2 individual shrouds (8"W) and fixed modesty panel;
 - 2 individual shrouds with drawer (12¼"W) and fixed modesty.
- 2 depths:
 - 25", for 23" tops;
 - 30", for 29" tops.
- The nestle is finished with a plastic end plate matching the colour of the metal leg;
- *L shaped tables: The shells can only be used on the main work surfaces.*

Undermount modesty panel



Information about laminate modesty panels:

- Modesty panels are designed to be compatible with tables with shells or with 2 individual shrouds;
- 2 models available:
 - Modesty panel for 2 individual shrouds (8"W);
 - Modesty panel for 2 individual shrouds with drawer (12¼"W).

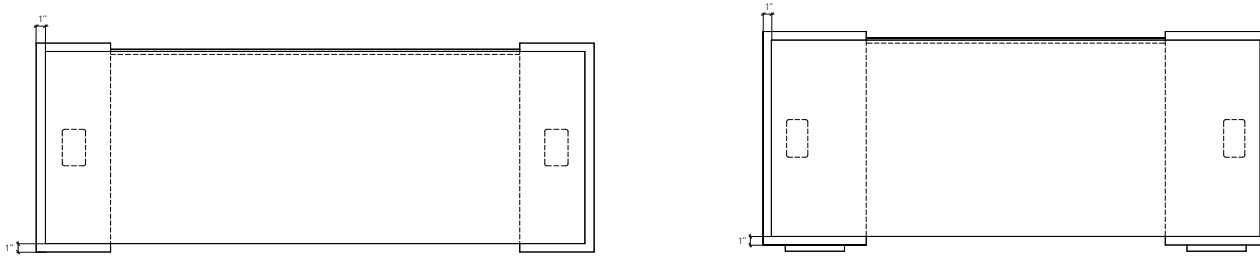
Introduction



Appendix E : Laminate complements for executive office (cont.)

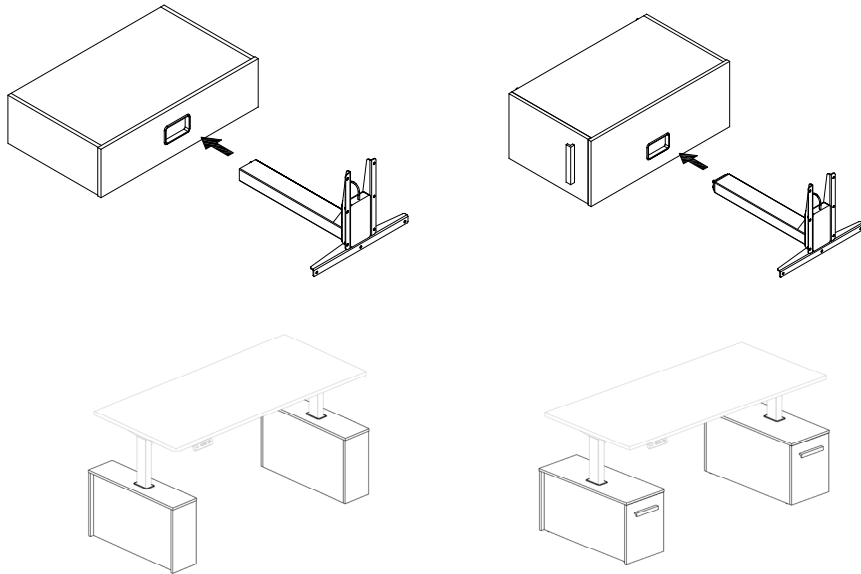
Positioning

The individual shrouds are designed to protrude 1" from the sides and front of the table to ensure a clearance around the top when the table is placed against a wall or another piece of furniture.

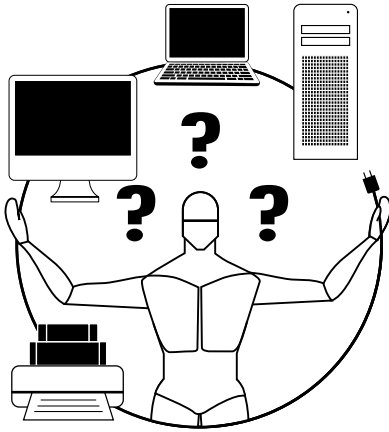


Shroud detail

Elevation Plus add-on modules are designed with a space inside to hide the metal leg. A plastic trim cover of 2 1/2" x 4 3/8" matches the satin nickel or black metal finish.



Appendix F: Calculation/Use of Electrical Components



An Introduction to Calculation and Use of Electrical Components

Most people are uncomfortable with anything related to electricity. This step-by-step guide is intended for people who are not familiar with electrical installations but who have to specify what system they need when ordering furniture. In this guide, you will learn how to choose and specify the electrical components required for your projects. The list that follows illustrates and identifies each product and describes its applications.

The electrical components are all recognized by the Underwriters Laboratory (UL) as office furniture accessories and are manufactured according to Canadian Standards Association (CSA) and UL electrical standards.

Note: All electrical connections must be performed by a certified electrician.

By following these 3 simple steps, you can easily determine the number of circuits required to ensure safe use of your electrical system.

1. Determining the Number of Amperes Required
2. Calculating the Total Amperes
3. Determining How Many Circuits You Need

STEP 1: Determining the Number of Amperes Required

What is Amperage

An Ampere (Amp or A) is a unit for measuring the rate at which electric current flows. All electrical equipment has an amperage rate. By following these few simple steps, you can easily determine the number of circuits required to ensure safe use of your electrical equipment.

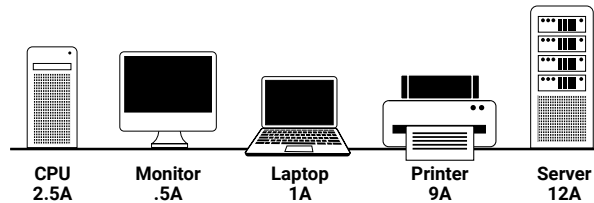
Determine the Number of Amperes Required

On your computer or other electric devices (ie: monitor, central processing unit, printer) find the plate that provides the technical specifications as follows:

Input: 120V - 1.8A.

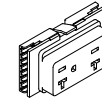
If you cannot locate this information on the machine, you will probably find it in the user manual.

Here are a few examples of how many Amps some equipment may consume. Please note that these are examples and the number of amperes may vary from one machine to another.



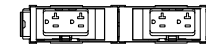
Electrical System Capacity

Our electrical system is designed for circuits of 20 amps each. This includes electrical components such as computers, printers, laptops, monitors, server or other devices.

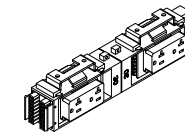


20A

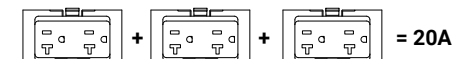
A single Duplex has a maximum capacity of 20 A



Each power block can hold 2 Duplex



Each power block can hold 4 Duplex



If the duplexes are connected to the same circuit, the capacity is divided between them. For example, 3 duplexes connected to the same circuit have a total capacity of 20A.

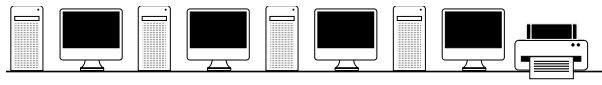
Introduction

Appendix F: Calculation/Use of Electrical Components (cont.)

STEP 2: Calculating the Total Amperes

Add the Amperes

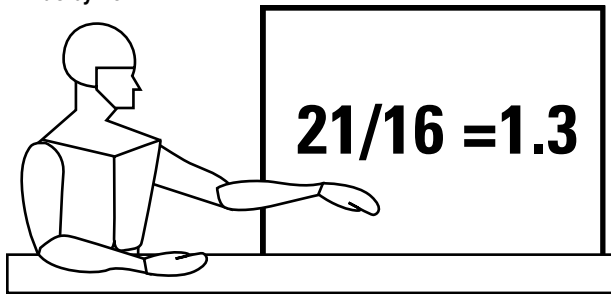
Add the number of amps for each machine. In our example, there are 4 CPUs at 2.5A per computer, 4 monitors at 0.5A and one printer at 9A.



$$2.5A + .5A + 2.5A + .5A + 2.5A + .5A + 2.5A + .5A + 9A = 21A$$

The total number of amperes used in this example equals to 21A.

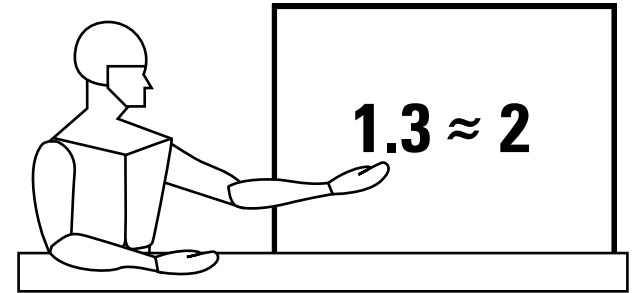
Divide by 16



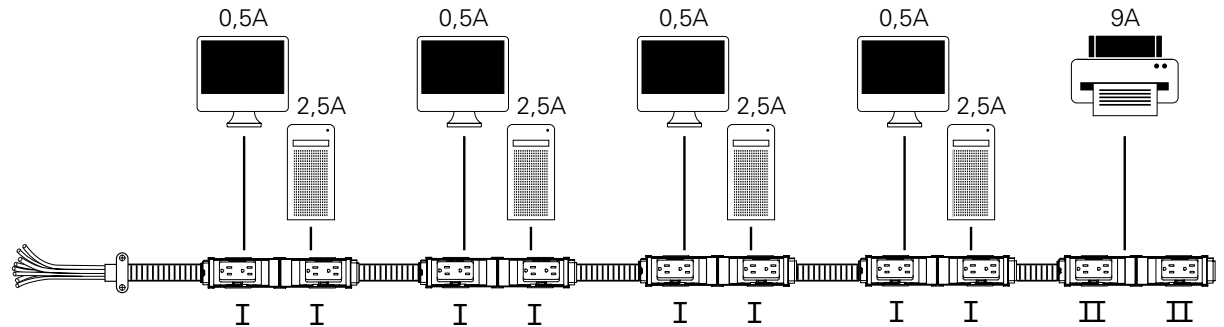
Most machines and computers used in offices or schools are used continuously for many hours at a time. In this type of situation, national electrical codes usually limit circuits at 80% of their capacity of continuous use. Our electrical system is designed for circuits of 20 amps each. So 80% of 20A is 16 Amps. You must therefore divide the total number of amperes calculated by 16.

STEP 3: Determining How Many Circuits You Need

In most cases, this number will contain decimals. Round up to the next whole number, and this will be the number of circuits required for your equipment to run safely. If the number obtained is higher than 4 (the maximum number of circuits for a system), you must reduce the total amperage or add another electrical system. Continuing with our example, the 1.3A is rounded up to 2A.



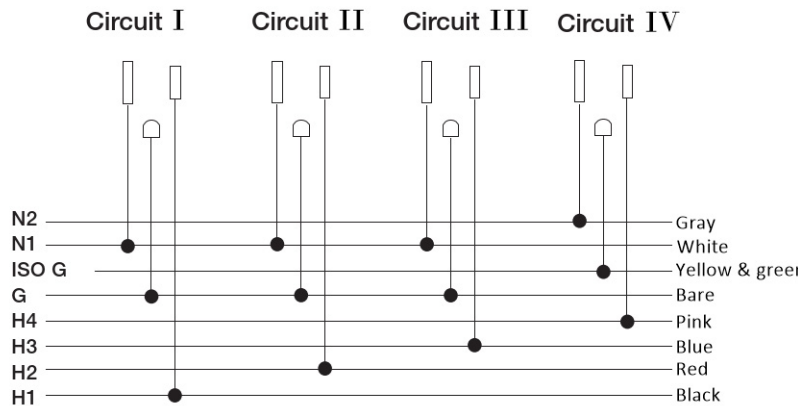
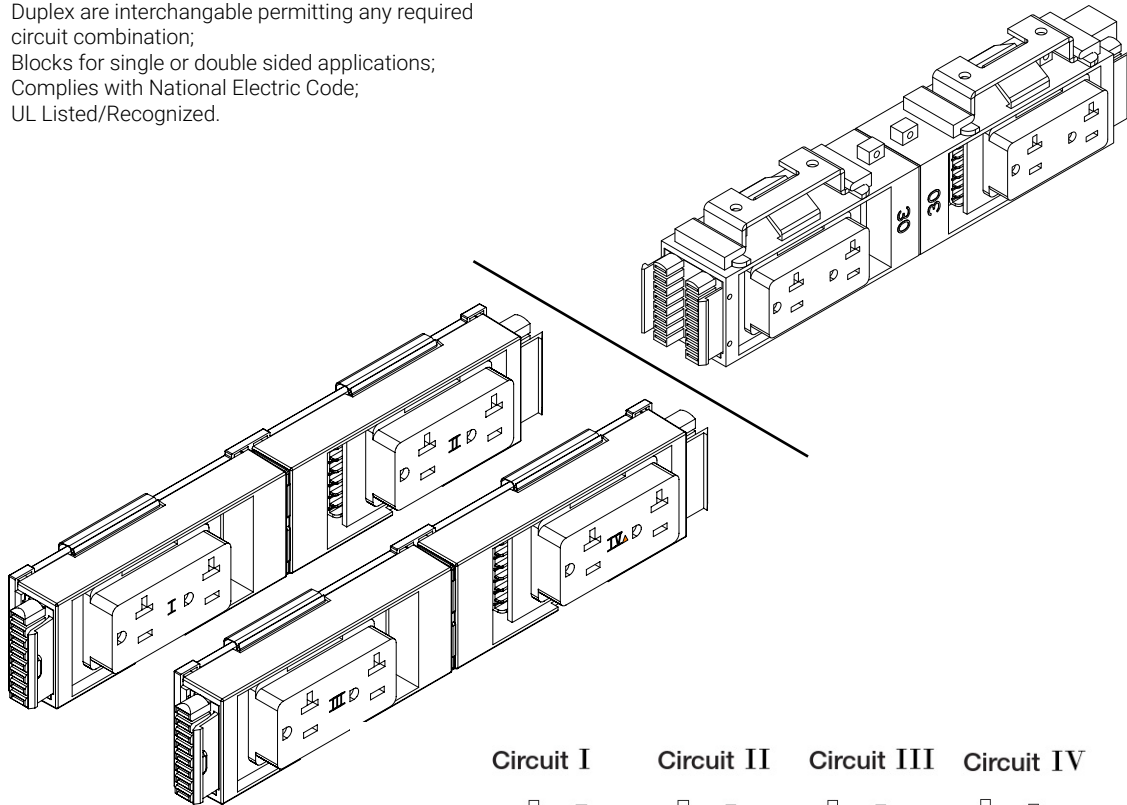
Here is one possible configuration. Using 5 power blocks joined together with junction cables, only 2 circuits are being used. The 4 workstations would be on the first circuit for a total of 16 amps. The printer would be on the second circuit.



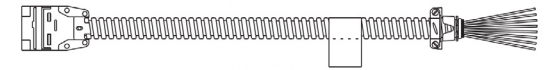
Appendix F: Calculation/Use of Electrical Components (cont.)

8 Wire, 4 Circuit (3+1) Power Block

- Duplex are interchangeable permitting any required circuit combination;
- Blocks for single or double sided applications;
- Complies with National Electric Code;
- UL Listed/Recognized.

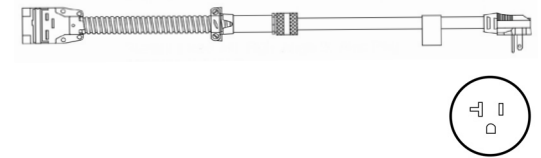


Starter Cable with Hardwire



- 4 circuit starter cable with hardwire at one end;
- 4 circuits rated for 20 AMP each;
- Available in lengths from 12" to 180";
- Whip end to be connected to building power by an electrician.

Starter Cable with Plug



- 1 circuit starter cable with 20A electrical plug;
- Circuit rated for 20 AMP;
- Available in lengths from 36" to 180".

Junction Cable



- 4 circuit cord;
- All circuits rated for 20 AMP;
- Available in lengths from 12" to 216".

Introduction



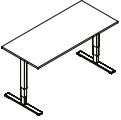
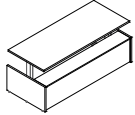
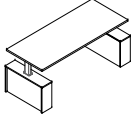
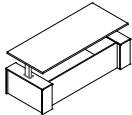
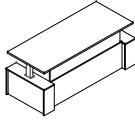


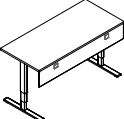
Appendix G: Divider Screens

Level dividers may be compatible with certain products in the Elevation Plus collection. To order divider screens, refer to the [Screens](#) section of the Level price List.

Divider screen to be used across the width

How to specify:

- Order the same size as the table. For example, for a 29" x 70" table, you need to order a 70" wide divider screen.
- Use the price of the higher dimension in the price list.

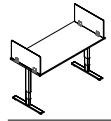
					
	✓	✓	✓	✓	X**
	✓	X	X*	X	X
	✓	X	X*	X	X

*It is possible to use this type of divider screen by choosing a width that allows it to be inserted between the shrouds.

Divider screen to be used on the sides

How to specify:

- Order the same size as the table side dimension. For example, for a 29" x 70" table, you need to order a 29" wide divider screen.
- Use the price of the higher dimension in the price list.

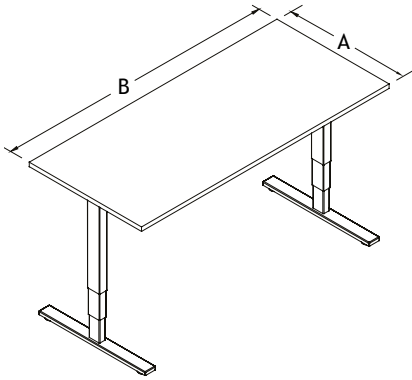
	✓	✓	✓	✓	✓
	X	X	X	X	X

*It is not possible to use this type of divider screen, since the clips conflict with the metal legs of the adjustable tables.

Height Adjustable Tables

Rectangular Tables

T



Manufacturing Standards

Elevation Plus table with electric height adjustment:

- 1" laminate rectangular top;
- Two telescopic "T" legs (3 sections), on levelers. Metal finishes: Black, White or Satin Nickel ;
- Adjustment range: 24-1/2" to 50" H;
- 2-motor system with collision detector;
- Maximum weight load: 320 lbs;
- Programmable controller with up / down adjustment control, 3 memory settings and digital height display. The controller can be installed on the left or on the right;
- Support bar: for 64" and more;
- Assembly required.

Maximum height of under the desk storage: 19-1/2".

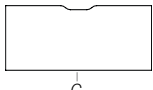
Grommets are recess back 5-1/2".

Note: The dimensions of the surfaces are reduced by 1" in order to leave a clearance of 1" on the sides and in front.

Screen or modesty: To add a divider screen or modesty panel, see p. 20

Technical Information: For full specifications see p. 11

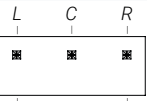
Options



C
Cutout for wires



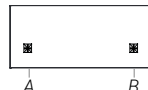
\$28 ea.



Grommet/Connectivity



\$28 ea. \$430 \$430 \$430



Wireless Charger



\$119 \$119

Prices

Dimensions	
A	B
23 46	1857
23 52	1878
23 58	1899
23 64	1921
23 70	1941
29 46	1876
29 52	1897
29 58	1917
29 64	1938
29 70	1960

The dimensions are reduced in order to leave a clearance of 1" on all sides of the table to prevent finger pinching.

Standards dimensions: It is possible to order tables according to the standard dimensions (ex.: 30" x 60") at the same price as the reduced dimensions (ex.: 29" x 58").

How to Order

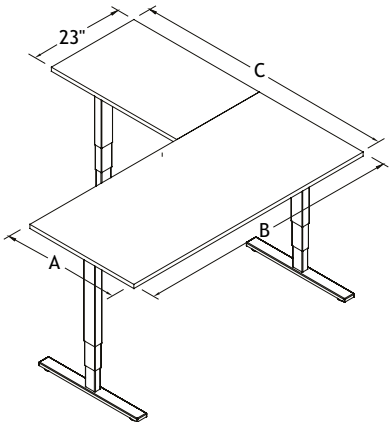
EP	AB	T	BL WH SN (std)	WAVC NWAV (std)	GRL GRC GRR GLR NGR (std)	MH3A MH3B MH3C MH3D	L C R LR	CQIBLA CQIBLB CQIWHHA CQIWHHB
series	dimensions	product	leg finish	cutout (Appx. C)	grommet position	connectivity+position (Appx. C)	C Qi (Appx. C)	
Example	EP	2958	T	SN	NWAV	GRC	MH3BR	QIBLA

Height Adjustable Tables

L-Shaped Tables

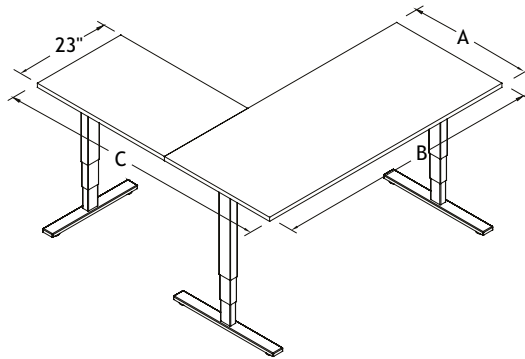
TRL

Return on Left



TRR

Return on Right



Manufacturing Standards

Elevation Plus L-shaped table with electric height adjustment:

- 1" laminate rectangular top with return;
- Three telescopic "T" legs (3 sections), on levelers. Metal finishes: Black, White or Satin Nickel ;
- Adjustment range: 24-1/2" to 50" H;
- 3-motor system with collision detector;
- Programmable controller with up / down adjustment control, 3 memory settings and digital height display. The controller can be installed on the left or on the right;
- Maximum weight load: 400 lbs;
- Support bar : for 64" and more;
- Assembly required.

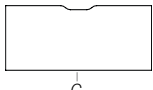
Maximum height of under the desk storage: 19-1/2".

Grommets are recess back 5-1/2".

Screen or modesty: To add a divider screen or modesty panel, see p. 20

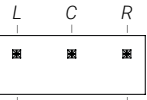
Technical Information: For full specifications see p. 11

Options



Cutout for wires

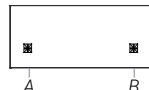
\$28 ea.



Grommet/Connectivity



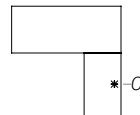
\$28 ea. \$430 \$430 \$430



Wireless Charger



\$119 \$119



Return Grommet

GRC

\$28 ea.

How to Order

EP	ABC	TRL TRR	BL WH SN (std)	WAVC NWAV (std)	GRL GRC GRR GLR NGR (std)	MH3A MH3B MH3C MH3D	L C R LR	CQIBLA CQIBLB CQIWHA CQIWHB	GRC NGR (std)
series	dimensions	product	leg finish	cutout (Appx. C)	grommet position	connectivity+position (Appx. C)	CQi (Appx. C)	return grommet	
Example	EP	235858	TRL	SN	NWAV	GRC	MH3BR	QIBLA	NGR

Prices

Dimensions			
A	B	C	
23	58	58	2860
23	58	64	2881
23	58	70	2904
23	64	58	2877
23	64	64	2899
23	64	70	2919
23	70	58	2892
23	70	64	2913
23	70	70	2936
29	58	64	2894
29	58	70	2915
29	58	76	2939
29	64	64	2913
29	64	70	2936
29	64	76	2956
29	70	64	2933
29	70	70	2954
29	70	76	2977

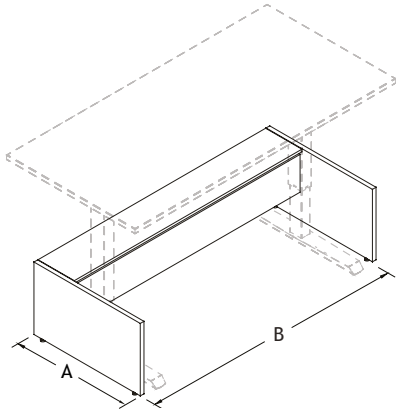
The dimensions are reduced in order to leave a clearance of 1" on all sides of the table to prevent finger pinching.

Standard dimensions: It is possible to order tables according to the standard dimensions (ex.: 30" x 60") at the same price as the reduced dimensions (ex.: 29" x 58").

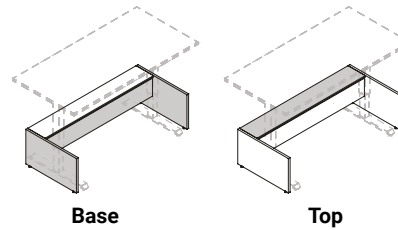
Power beams

Power Beam - 1 side

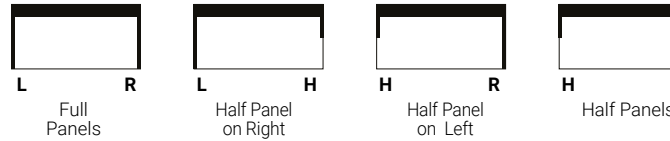
SBEAM



Color Combinaison



Panel Type



Manufacturing Standards

Single power beam - access 1 side:

- Removable 1" melamine panel on top;
- Gap under the surface of 1" on one side, lengthwise, for cable exit;
- Interior dimensions 9-3/8" x 7-1/2"H for power blocks and cables;
- 2 laminate side panels on white levelers;
- Positioning brackets. Metal finish satin nickel or black;
- Height: 18"H;
- Assembly required.

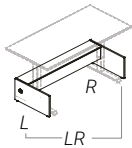
Note: The laminate beam is designed to be used with the bases of the Elevation Plus collection only.

Fabric Sleeve: To camouflage the cables from the surface, see fabric sleeves p. 51.

Electricity: see p. 44 or Appendix D.

Options

Leg Grommet



PGR
0\$

How to Order

EP	AB	SBEAM	BL WH SN (std)	HH LH HR LR (std)	PGR L PGR R PG LR PNGR (std)	
series	dimensions	product	metal	panel type	leg grommet	
Example	EP	2553	SBEAM	SN	LR	PNGR

Prices

Dimensions		For tables of:
A	B	
25 47	698	23x46
25 53	718	23x52
25 59	735	23x58
25 65	755	23x64
25 71	774	23x70

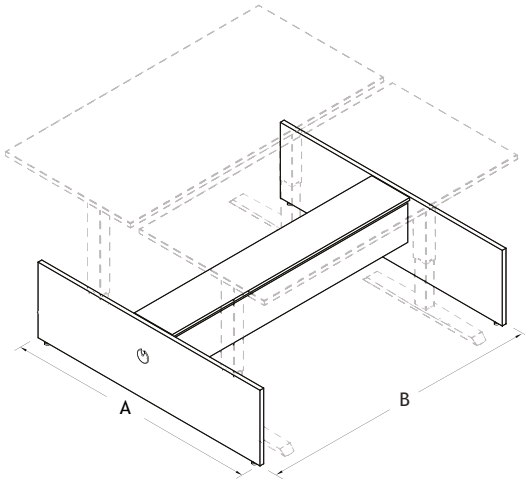
30 47	718	29x46
30 53	735	29x52
30 59	755	29x58
30 65	774	29x64
30 71	793	29x70

Standard dimensions: If you use tables with different dimensions than those shown above, please adapt the power beams accordingly. Example: For a 30" x 60" table, you will need to order a 31" x 61" power beam.

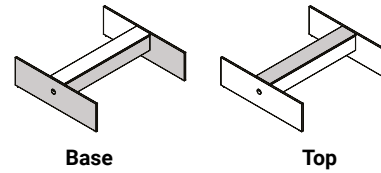
Power beams

Power Beam - 2 sides

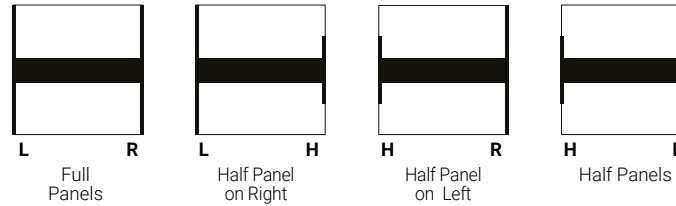
DBEAM



Color Combinaison



Panel Type



Manufacturing Standards

Double power beam with access on 2 sides:

- Removable 1" melamine panel on top;
- Gap under the surface of 1" on both side, lengthwise, for cable exit;
- Interior dimensions 9-3/8" x 7-1/2"H for power blocks and cables;
- 2 laminate side panels on white levelers;
- Positioning brackets. Metal finish satin nickel or black;
- Height: 18"H;
- Assembly required.

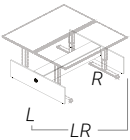
Note: The power beam (2 sides) is designed to be used with Elevation Plus tables and in face-to-face layout only.

Fabric Sleeve: To camouflage the cables from the surface, see fabric sleeves p. 51.

Electricity: see p. 44 or Appendix D.

Options

Leg Grommet



PGR
0\$

How to Order

EP	AB	DBEAM	BL WH SN (std)	HH LH HR LR (std)	PGR L PGR R PG LR PNGR (std)	
series	dimensions	product	metal	panel type	leg grommet	
Example	EP	4971	DBEAM	SN	LR	PNGR

Prices

Dimensions		
A	B	For tables of:
49 47	953	23x46
49 53	972	23x52
49 59	992	23x58
49 65	1009	23x64
49 71	1029	23x70
<hr/>		
59 47	972	29x46
59 53	992	29x52
59 59	1009	29x58
59 65	1029	29x64
59 71	1046	29x70

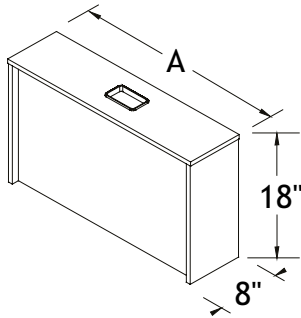
Standard dimensions: If you use tables with different dimensions than those shown above, please adapt the power beams accordingly. Example: For a 30" x 60" table, you will need to order a 61" x 61" power beam.

Desk complements

Individual Shroud

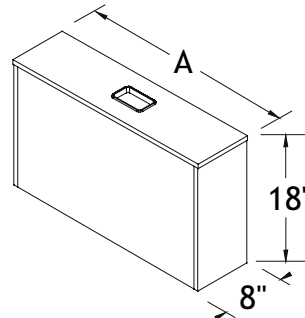
SL

Shroud on left

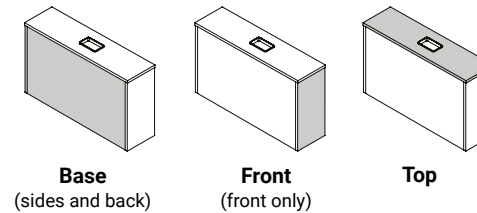


SR

Shroud on right



Color Combination



Manufacturing Standards

Individual shroud:

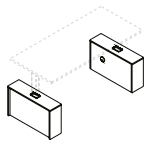
- Laminate construction;
- Plastic trim cover. Color matching metal finishes: Black or satin nickel;
- To install on the left or the right;
- Outer panel of shroud is recessed 1";
- Height: 18".

25"D Shroud: to use with 23"D table.

30"D Shroud: to use with 29"D table.

Options

Leg grommet (inside side)



PGRI
\$0

Prices

Dimensions

Dimensions	
A	
25	627
30	637

How to Order

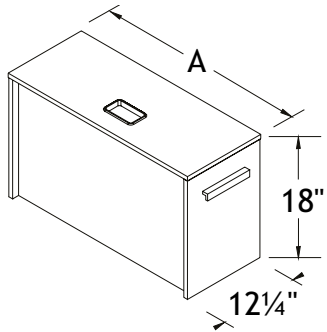
EP	A	SL SR	WH BL SN (std)	PGR PNGR (std)
series	dimensions	product	trim cover	leg grommet (inside side)
Example EP	25	SL	SN	PNGR

Desk complements

Individual Shroud with Drawers

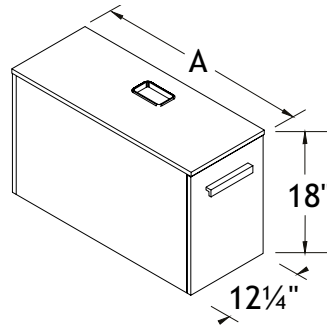
UL

Shroud on left

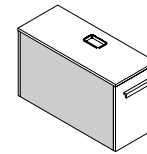


UR

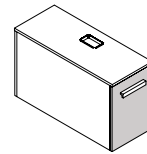
Shroud on right



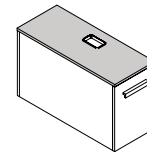
Color Combination



Base
(sides and back)



Front
(front only)



Top

Manufacturing Standards

Individual shroud:

- For use with Elevation Plus T leg;
- Utility drawer;
- Satin nickel H052 metal handle;
- Plastic trim cover. Color matching metal finishes: Black or satin nickel ;
- To install on the left or the right;
- Outer panel of shroud is recessed 1";
- Height: 18".

25"D Shroud: to use with 23"D table.

Drawer interior dimensions: 8"W x 9 1/8"D x 3 1/4"H.

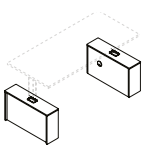
30"D Shroud: to use with 29"D table.

Drawer interior dimensions: 8"W x 11 1/8"D x 3 1/4"H.

Handle: Specify if different handle desired (no extra charge, see p. 41). *Not compatible handles: H011, H060, H070 and SXP002.*

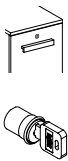
Options

Leg grommet (inside side)



PGRI
\$0

Lock



\$46 ea.

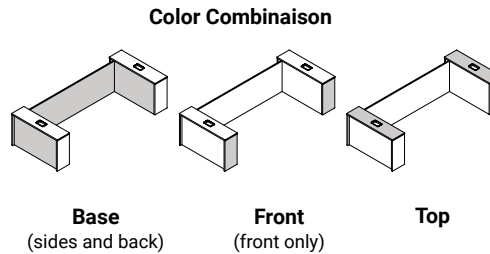
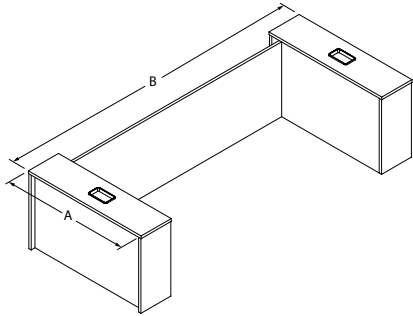
How to Order

EP	A	UL UR	WH BL SN (std)	PGR 1 PNGR (std)	H052SN	LKBL LKSN
series	dimension	product	trim cover	leg grommet (inside side)	handle	lock (p. 43)
Example EP	23	UL	SN	PNGR	H052SN	LKSN

Desk complements

Shells

SS



Manufacturing Standards

Elevation Plus shell:

- For use with Elevation Plus T leg;
- 2 laminate leg covers 8"W x 18"H;
- Fixed modesty panel;
- Plastic cover plate color to match metal: black or satin nickel;
- Assembly required.

Shell 25"D: 3/4" recessed modesty.
Shell 30"D: 2 5/8" recessed modesty.

Note: Shells can be used on 52"W tables and more.
Electricity: see p. 44.

Options

Leg Grommet

PGRI
\$0

Prices

Dimensions		For tables of:
A	B	
25 54	1543	52"
25 60	1560	58"
25 66	1579	64"
25 72	1599	70"
30 54	1560	52"
30 60	1579	58"
30 66	1599	64"
30 72	1617	70"

Standard dimensions: If you use tables with different dimensions than those shown above, please adapt the shells accordingly.
 Example: For a 30" x 60" table, you will need to order a 31" x 62" shell.

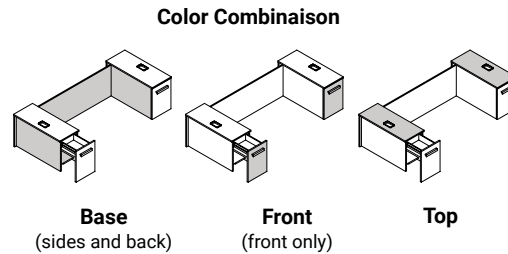
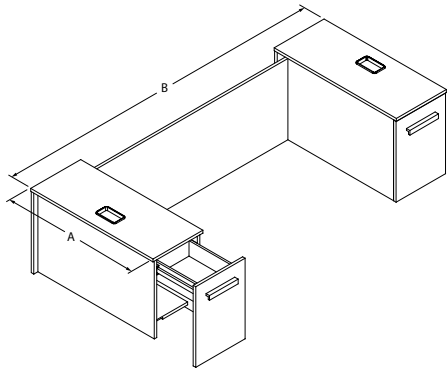
How to Order

	AB		WH BL SN (std)	PGRI PNGR (std)
EP		SS		
series	dimensions	product	trim cover	leg grommet
Example	EP	2554	SS	SN
				PNGR

Desk complements

Shells

UU



Manufacturing Standards

Elevation Plus shell:

- For use with Elevation Plus T leg;
- 2 laminate leg covers with utility drawer 12 1/4" L x 18" H;
- Fixed modesty panel;
- Plastic cover plate color to match metal: black or satin nickel;
- Assembly required.

Shell 25"D: 3/4" recessed modesty.
Drawers interior dimensions: 8"W x 9 1/8"D x 3 1/4"H.

Shell 30"D: 2 5/8" recessed modesty.
Drawers interior dimensions: 8"W x 11 1/8"D x 3 1/4"H.

Note: Shells can be used on 52"W tables and more.
Specify if different handle desired (no extra charge, see p. 41).
Not compatible handles: H011, H060, H070 and SXP002.

Options

Leg Grommet

PGRI
\$0

Lock

\$46 ea.

How to Order

	AB	UU	WH BL SN (std)	PGR 1 PNGR (std)	H052SN	LKBL LKSN	
EP							
series	dimensions	product	trim cover	leg grommet	handle	lock (p. 43)	
Example	EP	2554	UU	SN	PNGR	H052SN	LKSN

Prices

Dimensions		
A	B	For tables of:
25 54	1788	52"
25 60	1808	58"
25 66	1825	64"
25 72	1842	70"
30 54	1808	52"
30 60	1825	58"
30 66	1842	64"
30 72	1862	70"

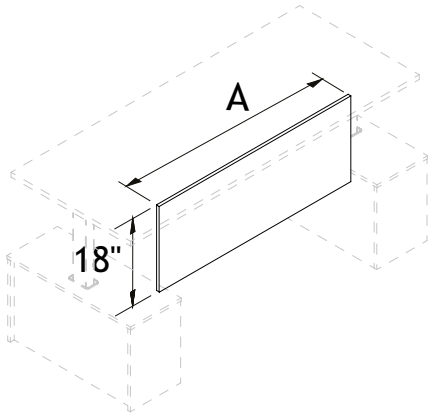
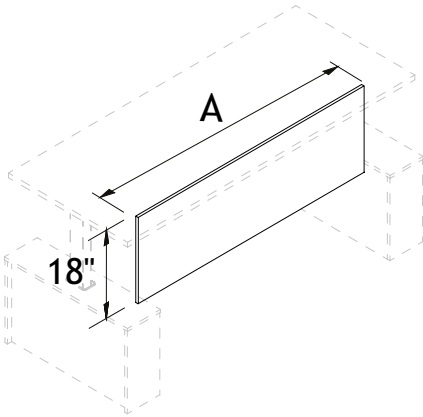
Standard dimensions: If you use tables with different dimensions than those shown above, please adapt the shells accordingly.
Example: For a 30" x 60" table, you will need to order a 31" x 62" shell.

Desk complements

Modesties for table with shrouds

SMSS

SMUU



Manufacturing Standards

Modesty for table with shrouds:

- 5/8" laminate panel;
- Under mount surface with metal supports, satin nickel or black finish;
- Height: 18"H;
- Assembly required.

SMSS: to use with 2 S shrouds or SS shell.
SMUU: to use with 2 U shrouds or UU shell.

Table 23": Modesty recess 7/8".
Table 29": Modesty recess 2 3/4".

Prices

Dimensions		For tables of:	
A			
37SMSS	146	52"	
43SMSS	168	58"	
49SMSS	181	64"	
55SMSS	187	70"	
<hr/>			
29SMUU	146	52"	
35SMUU	146	58"	
41SMUU	168	64"	
47SMUU	181	70"	

Standard dimensions: If you use tables with different dimensions than those shown above, please adapt the modesties accordingly.
 Example: For a 30" x 60" table, you will need to order a 37" modesty.

How to Order

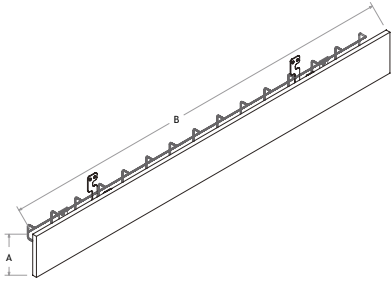
EP	A	SMSS SMUU	WH BL SN (std)
series	dimension	product	metal
Example EP	37	SMSS	SN

Desk complements



Laminate Cover

CTCOVER



Manufacturing Standards

- Laminate cover:
- Laminate cover for cable tray;
 - Mounting brackets;
 - Dimension "B" is 1/4" recessed.

Note: Metal cable tray (CT) must be ordered separately, see p. 50.
 Finishing panel to use with the CT cable tray when the cable tray is attached to an Xtension dividing wall or panel.

Prices

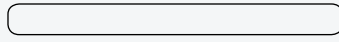
Dimensions	
A	B
06 30	49
06 36	58
06 42	63
06 48	69
06 54	74
06 60	82
06 66	88
06 72	94
06 78	100
06 84	107

How to Order

	AB	CTCOVER
XT		
Series	Dimensions	

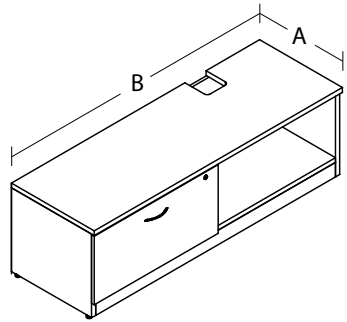
Example XT 0630 CTCOVER

Desk complements

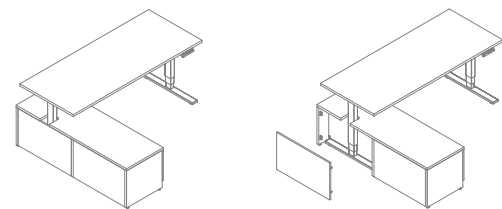
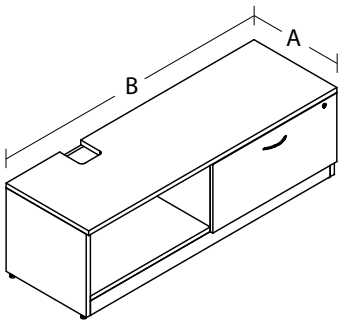


Millenium Credenzas for Height Adjustable Table

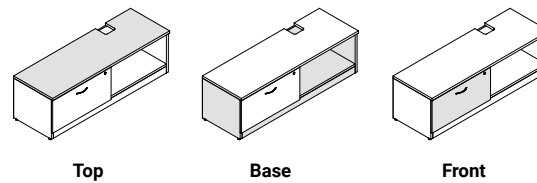
CLOEP



OCLEP



Color Combinations



How to Order

ML	AB	CLOEP OCLEP	HJAB (std)
Serie	Dimensions	Product	Handle (p.40)
Example ML	2060	CLOEP	HJAB

Manufacturing Standards

Millenium Credenza for height adjustable table:

- Storage that integrates one of the legs of an Elevation Plus table with removable back at the rear which hides the Elevation Plus leg;
- 1 lateral file drawer for letter and legal formats and 1 open storage;
- Lock;
- White nylon levelers;
- Interior height: 13-1/2";
Total height: 19".

For 29" deep tables only;
Not compatible with SMSS/SMUU modesties;
The table will be positioned with a clearance of 1" on the side and visitor side.
Handles: For a different handle from the HJAB standard, no extra charge, please choose from the [Millenium price list](#) which has a larger offer.

Prices

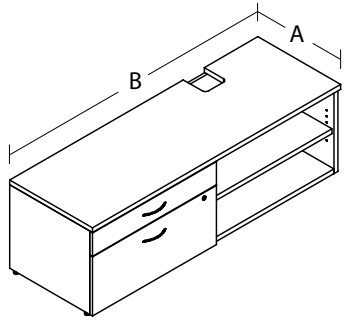
Dimensions	
A	B
20	60
24	60

Desk complements

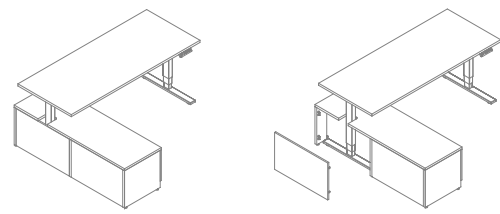
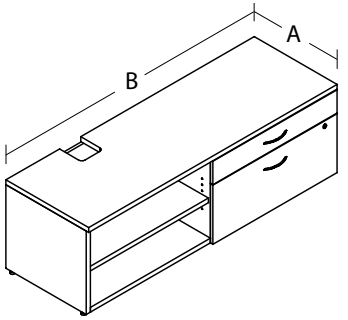


Millenium Credenzas for Height Adjustable Table

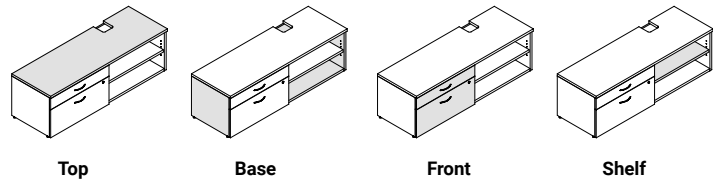
KOEP



OKEP



Color Combinations



Manufacturing Standards

Millenium Credenza for height adjustable table:

- Storage that integrates one of the legs of an Elevation Plus table with removable back at the rear which hides the Elevation Plus leg;
- 1 utility drawer, 1 lateral file drawer for letter and legal formats and 1 open storage with 1 adjustable shelf;
- Lock;
- Without kickplate;
- White nylon levelers;
- Interior height: 16-1/2"; Total height: 19".

For 29" deep tables only;

Not compatible with SMSS/SMUU modesties;

The table will be positioned with a clearance of 1" on the side and visitor side.

Handles: For a different handle from the HJAB standard, no extra charge, please choose from the [Millenium price list](#) which has a larger offer.

Prices

Dimensions		
A	B	
20	60	1674
24	60	1736

How to Order

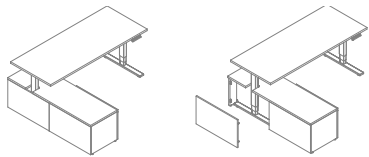
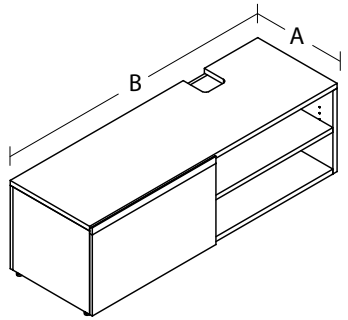
ML	AB	KOEP OKEP	HJAB (std)
Serie	Dimensions	Product	Handle (p.40)
Example ML	2060	KOEP	HJAB

Desk complements

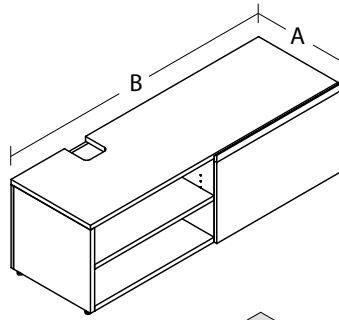


Volt Credenzas for Height Adjustable Table

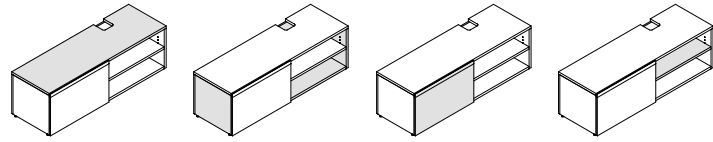
CLOEP



OCLEP



Color Combinations



Top Base Front Shelf

Manufacturing Standards

Volt Credenza for height adjustable table:

- Storage that integrates one of the legs of an Elevation Plus table with removable back at the rear which hides the Elevation Plus leg;
- 1 sliding drawer front with integrated wood handle;
- 1 lateral file drawer for letter and legal formats and 1 open storage with 1 adjustable shelf;
- White nylon levelers;
- Interior height: 16-1/2"; Total height: 19".

For 29" deep tables only;
Not compatible with SMSS/SMUU modesties;
The table will be positioned with a clearance of 1" on the side and visitor side.

Note: The actual depth dimension (A) is 3/4" less than the indicated dimension to allow clearance to the covering front.

Options

Electrical Wire Management OS	Grommet MGR OS	Lock \$46
---	------------------------------	-------------------------

Prices

Dimensions	
A	B
20 60	1885
24 60	1947

How to Order

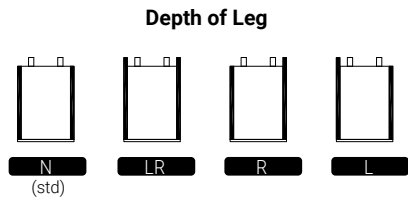
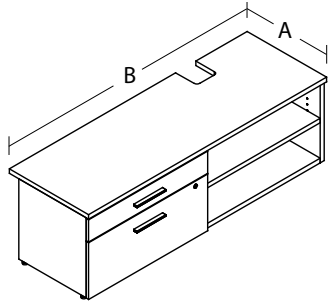
VO	AB	CLOEP OCLEP	EM	MGR L MGR R MG LR	H071 H072 WD (std)	Finishes See the Logiflex Color Guide	LKBL LKSN
Serie	Dimensions	Product	Electricity	Grommet	Handle	Wood color	Lock
Example VO	2060	CLOEP	EM	MG LR	WD	GW	LKSN

Desk complements

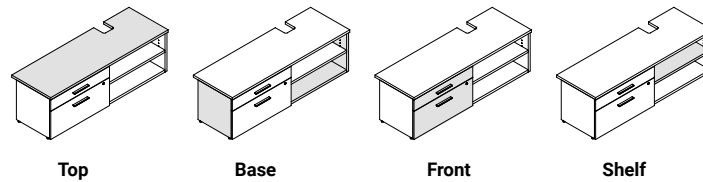


Xtension Credenzas for Height Adjustable Table

KOEP



Color Combinations



Manufacturing Standards

Xtension Credenza for height adjustable table:

- Storage that integrates one of the legs of an Elevation Plus table. Fix to the panel using L bracket. The positioning brackets on the back allow you to leave a 2-3/8" wiring space and to attach the pedestal to the division panels or to the power walls;
- 1 utility drawer, 1 lateral file drawer for letter and legal formats, 1 open storage with 1 adjustable shelf;
- White nylon levelers;
- Interior height: 16-1/2"; Total height: 19".

For 29" deep tables only;

Not compatible with SMSS/SMUU modesties;

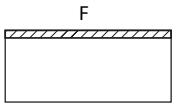
The table will be positioned with a clearance of 1" on the side and visitor side.

The SPF option is recommended when combined with electrical systems. It is recommended to install electrical systems below 18H, along with 12 additional inches of starter or jumper cable.

Handles: For a different handle from the H071BL standard, no extra charge, please choose from the [Xtension price list](#) which has a larger offer.

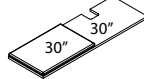
Options

Surface 1 1/2" for wiring



SP_ 0\$

Cushion



Cushion Left

GRA	GR1	GR2	GR3	GR4	GR5	GR6	GR7	GR8	GR9	GR10	GR11	GR12	leather
\$357	\$370	\$388	\$406	\$428	\$450	\$473	\$495	\$517	\$540	\$561	\$607	\$651	\$614

Prices

Dimensions	
A	B
20 60	1674
24 60	1736

How to Order

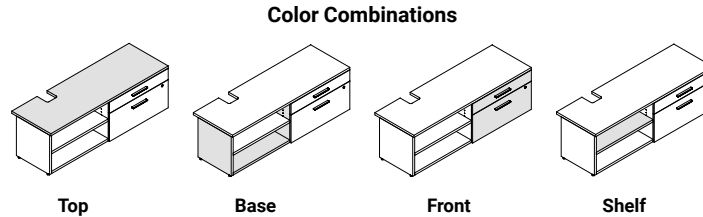
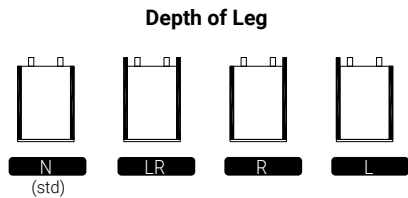
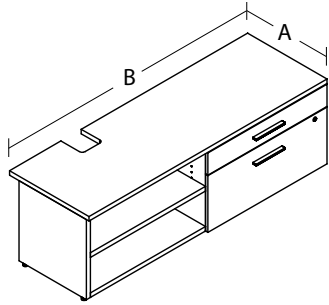
XT	AB	KOEP	SPF SPN (std)	R L LR N (std)	CL N (std)	H071BL (std)	N LKSN LKBL (std)
Serie	Dimensions	Product	1 1/2" wiring space	Depth of leg	Cushion	Handle (p.40)	Lock
Example XT	2060	KOEP	SPN	N	N	H071BL	LKBL

Desk complements



Xtension Credenzas for Height Adjustable Table

OKEP



Manufacturing Standards

Xtension Credenza for height adjustable table:

- Storage that integrates one of the legs of an Elevation Plus table. Fix to the panel using L bracket. The positioning brackets on the back allow you to leave a 2-3/8" wiring space and to attach the pedestal to the division panels or to the power walls;
- 1 utility drawer, 1 lateral file drawer for letter and legal formats, 1 open storage with 1 adjustable shelf;
- White nylon levelers;
- Interior height: 16-1/2"; Total height: 19".

For 29" deep tables only;

Not compatible with SMSS/SMUU modesties;

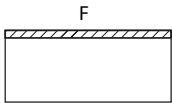
The table will be positioned with a clearance of 1" on the side and visitor side.

The SPF option is recommended when combined with electrical systems. It is recommended to install electrical systems below 18H, along with 12 additional inches of starter or jumper cable.

Handles: For a different handle from the H071BL standard, no extra charge, please choose from the [Xtension price list](#) which has a larger offer.

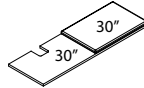
Options

Surface 1 1/2" for wiring



SP_ O\$

Cushion



Cushion Right

GRA	GR1	GR2	GR3	GR4	GR5	GR6	GR7	GR8	GR9	GR10	GR11	GR12	leather
\$357	\$370	\$388	\$406	\$428	\$450	\$473	\$495	\$517	\$540	\$561	\$607	\$651	\$614

How to Order

XT	AB	OKEP	SPF SPN (std)	R L LR N (std)	CR N (std)	H071BL (std)	N LKSN LKBL (std)
Serie	Dimensions	Product	1 1/2" wiring space	Depth of leg	Cushion	Handle (p.40)	Lock
Example XT	2060	OKEP	SPN	N	N	H071BL	LKBL

Dimensions

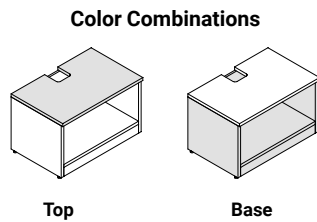
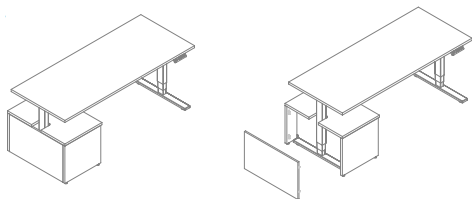
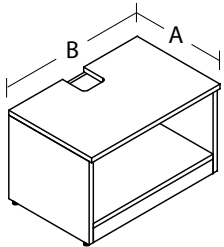
Dimensions	
A	B
20 60	1674
24 60	1736

Desk complements



Millenium Open Storage for Height Adjustable Table

OEP



Manufacturing Standards

- Millenium open storage for height adjustable table:
- Open storage that integrates one of the legs of an Elevation Plus table with removable back at the rear which hides the Elevation Plus leg;
 - White nylon levelers;
 - Interior height: 13-1/2"; Total height: 19".

For 29" deep tables only;
Not compatible with SMSS/SMUU modesties;
The table will be positioned with a clearance of 1" on the side and visitor side.
The SPF option is recommended when combined with electrical systems. It is recommended to install electrical systems below 18H, along with 12 additional inches of starter or jumper cable.

Prices

Dimensions	
A	B
20	31
24	31

How to Order

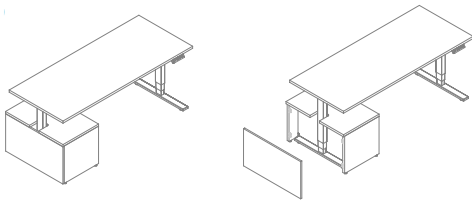
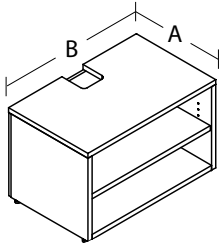
AB		
ML		OEP
Serie	Dimensions	Product

Example ML 2060 OEP

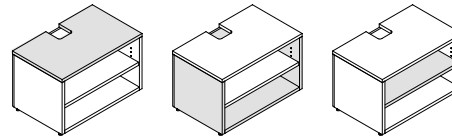
Desk complements

Volt Bookcases for Height Adjustable Table

BBLEP



Color Combinations



Top

Base

Shelf

Manufacturing Standards

Volt bookcase for height adjustable table:

- Bookcase that integrates one of the legs of an Elevation Plus table with removable back at the rear which hides the Elevation Plus leg;
- 1 adjustable shelf;
- White nylon levelers;
- Interior height: 16-1/2";
Total height: 19".

For 29" deep tables only;

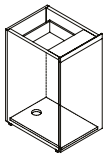
Not compatible with SMSS/SMUU modesties;

The table will be positioned with a clearance of 1" on the side and visitor side.

Note: *The actual depth dimension (A) is 3/4" less than the indicated dimension to align with the depths of the credenzas.*

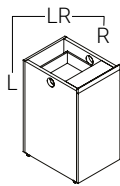
Options

Electrical Wire Management



\$0

Grommet



MGR
\$0

Prices

Dimensions

A	B
20 31	803
24 31	838

How to Order

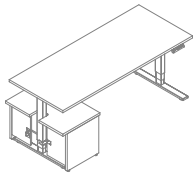
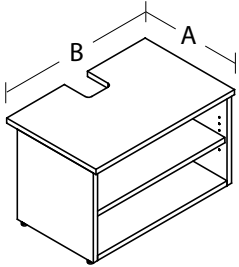
VO	AB	BBLEP	EM	MGR L MGR R MG LR
Serie	Dimensions	Product	Electricity	Grommet
Example VO	2060	BBLEP	EM	MG LR

Desk complements

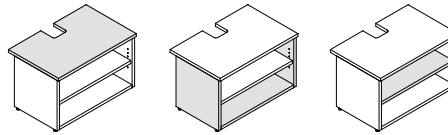


Xtension Bookcases for Height Adjustable Table

BBLEP



Color Combinations

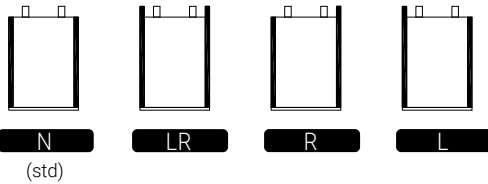


Top

Base

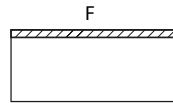
Shelf

Depth of Leg



Options

1 1/2" Wiring Space



SP_
\$0

Manufacturing Standards

Xtension bookcase for height adjustable table:

- Bookcase that integrates one of the legs of an Elevation Plus table. Fix to the panel using L bracket. The positioning brackets on the back allow you to leave a 2-3/8" wiring space and to attach the pedestal to the division panels or to the powerwalls;
- 1 adjustable shelf;
- White nylon levelers;
- Interior height: 16-1/2";
Total height: 19".

For 29" deep tables only;

Not compatible with SMSS/SMUU modesties;

The table will be positioned with a clearance of 1" on the side and visitor side.

Prices

Dimensions	
A	B
20	31 803
24	31 838

How to Order

XT	AB	BBLEP	SPF SPN (std)	R L LR N (std)
Serie	Dimensions	Product	1 1/2" wiring space	Depth of Leg

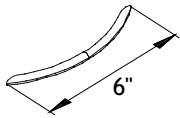
Example XT 2060 BBLEP SPN

Accessories

Handles

HJA

Handle

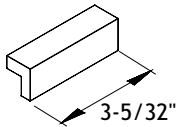


- 6" metal handle;
- 5-1/32" (128mm) center to center.

Code	\$	Description
HJA	15	<i>Satin Nickel</i>
HJAB	15	<i>Black</i>

H051

Handle

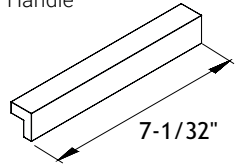


- 3-5/32" metal handle;
- 2-17/32" (64mm) center to center.

Code	\$	Description
H051CHR	15	<i>Chrome</i>
H051SN	15	<i>Satin Nickel</i>
H051BL	15	<i>Black</i>
H051WH	15	<i>White</i>

H052

Handle

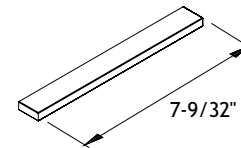


- 7-1/32" metal handle;
- 6-9/32" (160mm) center to center.

Code	\$	Description
H052CHR	15	<i>Chrome</i>
H052SN	15	<i>Satin Nickel</i>
H052BL	15	<i>Black</i>
H052WH	15	<i>White</i>

H071

Handle

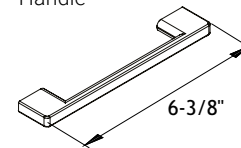


- 7-9/32" metal handle;
- 6-5/16" (160.338mm) center to center.

Code	\$	Description
H071CHR	15	<i>Chrome</i>
H071BN	15	<i>Brushed Nickel</i>
H071BL	15	<i>Black</i>
H071WH	15	<i>White</i>

H072

Handle

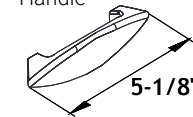


- 6-3/8" metal handle;
- 5-1/32" (127.8mm) center to center.

Code	\$	Description
H072CHR	15	<i>Chrome</i>
H072BL	15	<i>Black</i>
H072WH	15	<i>White</i>

SXP003

Handle



- 5-1/8" metal handle;
- 3-25/32" (96mm) center to center.

Code	\$	Description
SXP003	15	<i>Satin Nickel</i>

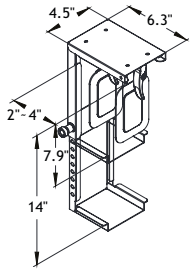
Not compatible handles: H011, H060, H070 and SXP002.

Accessories

CPU Holders

MCPU50

Miniature CPU Holder

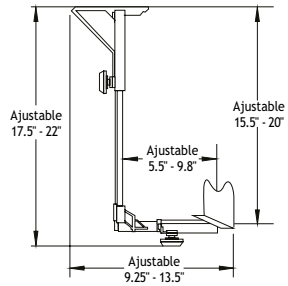


- Height adjustable: 8" - 14";
- Width adjustable: 2" - 4";
- Maximum capacity: 10 kg (22 lbs);
- Need a minimum 5" deep clearance.

Code	\$	Description
MCPU50	184	

MCPU90

CPU Holder



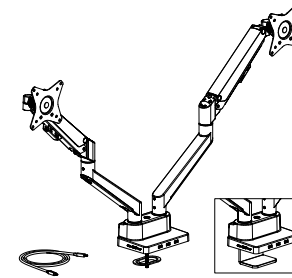
- Black metal CPU holder;
- Easy manipulation;
- Vertical adjustment:
 - Height: 15.5" x 20"
 - Width: 5.5" x 9.8"
- Horizontal adjustment:
 - Height: 17.5" x 22"
 - Width: 9.25" x 13.5"

Code	\$	Description
MCPU90	221	<i>per unit</i>

Computer Monitor Brackets

SHIFT-2A

Shift Double Monitor arm with Docking



- 17" to 32" dual monitor arm support with flexible arms;
- 75mm and 100mm versa plate;
- Height adjustable arms that holds up to 8 kg (each);
- Clamp or Grommet mounted;
- Finish: Black;
- 8-in-1 Multiport docking station with:
 - 1 x Type - C Power distribution Port (100w)
 - 1 x Type - C Upstream port with type C cable included
 - 3 x USB-A Downstream ports
 - 2 x HDMI 2.0 Ports
 - 1 x RJ45 Ethernet port

Power distribution cable not included, follow electronic devices input recommendations.

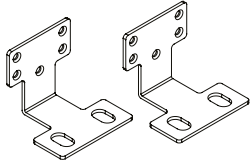
Code	\$	Description
SHIFT-2A	680	

Accessories

Miscellaneous Accessories

KPBOO

Positioning Bracket

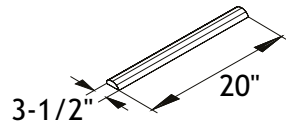


- Set of 2 positioning brackets for laminate power beams ;
- Screws included ;
- Finishes: black and satin nickel.

Code	\$	Description
KPBOOBL	68	Black
KPBOOSN	68	Satin Nickel

AP

Wrist Rest

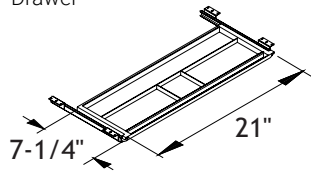


- Black gel wrist rest.

Code	\$	Description
AP	76	

TCPM3

Drawer

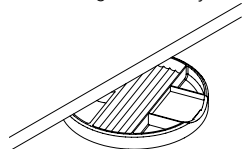


- Plastic sliding drawer;
- Finish: White and black;
- Need a minimum 10 1/2" deep clearance.
- Can be assembled with the height adjustable table.

Code	\$	Description
TCPM3 BL	317	Black
TCPM3 WH	317	White

SWV

Swivel Organizer Tray

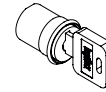


- Storage drawer that rotate 360 degrees;
- Mounts flush to the edge;
- Dimensions: 8-1/4"D x 13-5/8"W x 1-3/8"H.

Code	\$	Description
SWV	68	

LK

Lock



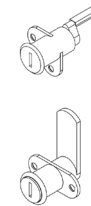
- Locks with keys
- Finish: Satin nickel or black finish;
- Additional locks, sold separately or factory installed;
- Please specify the type of furniture on which the will be installed.

Code	\$	Description
LKSN	46	Satin Nickel lock (factory installed)
LKBL	46	Black lock (factory installed)

LKSNF	29	Satin Nickel front lock
LKBLF	29	Black front lock

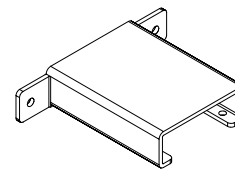
LKSNP	29	Satin Nickel door lock
LKBLP	29	Black door lock

KEY	21	Set of 2 keys - #501 - 600
SERR 010	21	1 master key



EPF

Positioning Bracket



- Front panel assembly for Elevation Plus legs.

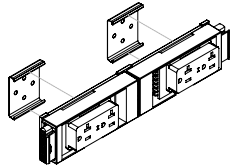
Code	\$	Description
EPFBL	24	Black
EPFSN	24	Satin Nickel
EPFWH	23	White

Accessories

Electrical Accessories

BE-KDHB-1

Single sided power block (1)



Set including:

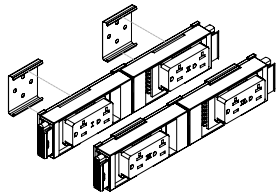
- Single sided power block (1);
- 2 Duplex -1 circuit;
- 2 mounting plates;
- Max. 10 duplex per circuit (5 double half power block BE-KDHB-1).

Code	\$	Description
BE-KDHB-1-BL	213	
BE-KDHB-1-WH	225	



BE-KDHB-4

Single sided power block (2)



Set including:

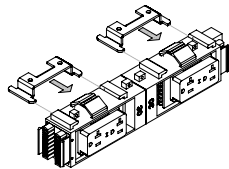
- Single sided power block (2);
- 4 Duplex -1 of each circuit;
- 4 Mounting plates;
- Max. 40 duplex (20 double half power block).

Code	\$	Description
BE-KDHB-4-BL	427	
BE-KDHB-4-WH	438	



BE-KDBSM-1

Double sided power block



Set including:

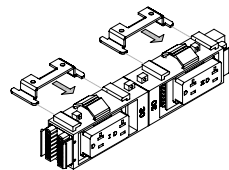
- Double sided power block;
- 4 duplex -1 circuit;
- 2 slide mounting brackets;
- Max. 10 duplex per circuit (2 double power block).

Code	\$	Description
BE-KDBSM-1-BL	399	
BE-KDBSM-1-WH	418	



BE-KDBSM-4

Double sided power block



Set including:

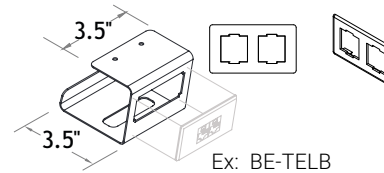
- Double sided power block;
- 4 duplex -1 of each circuit;
- 2 slide mounting brackets;
- Max. 40 duplex (10 double power block).

Code	\$	Description
BE-KDBSM-4-BL	399	
BE-KDBSM-4-WH	418	



SMWM

Cable Support

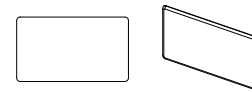


- 3.5" metal wire support with 1 telecom plate cutout;
- Satin nickel finish.

Code	\$	Description
SMWM	31	

BE-TELA

Telecom plate

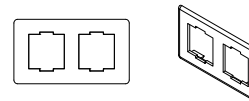


- Blank plate;
- 3-1/8" x 1-3/4";
- Colors: Black, White and Satin nickel;
- To be used with the APB, APF or AP2 cover plate option of the supply walls.

Code	\$	Description
BE-TELA-BL	5	
BE-TELA-WH	5	
BE-TELA-SN	5	

BE-TELB

Telecom plate



- 2 spaces to install connection ports;
- 3-1/8" x 1-3/4";
- Adapter included.
- Colors: Black, White and Satin nickel.

Code	\$	Description
BE-TELB-BL	5	
BE-TELB-WH	5	
BE-TELB-SN	5	

BE-HW

Hardwired conduit power entry



- * To be connected to an electrical box by an electrician.
- 8 wires - 4 circuits 20A;
- For 8 trac system;
- Bare wires at one end
- Male end.

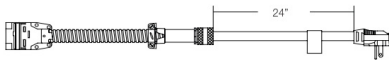
Code	\$	Description
BE-HW-72	195	8 wire, 4 circuit - 72"L
BE-HW-84	213	8 wire, 4 circuit - 84"L
BE-HW-96	236	8 wire, 4 circuit - 96"L
BE-HW-120	276	8 wire, 4 circuit - 120"L
BE-HW-180	407	8 wire, 4 circuit - 180"L

Accessories

Electrical Accessories

BE-PI72

Corded Power entry



- Corded power entry of 72";
- Right angle 20 Amp plug;
- Male end;
- 1 circuit 20A;
- Must be plug on 20A outlet



Code	\$	Description
BE-PI72	242	

BE-NYHW

NYC flex hardwired power infeed



- * To be connected to an electrical box by an electrician.
- 8 wires - 4 circuits 20 A;
- Bare wires at one end;
- For 8 trac system;
- Male end.

Code	\$	Description
BE-NYHW-72	440	
BE-NYHW-84	461	
BE-NYHW-96	481	
BE-NYHW-108	503	
BE-NYHW-120	524	

BE-J

M/M jumper

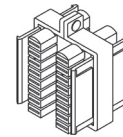


- Non-adjustable;
- 8 wire - 4 circuits;
- M/M;
- For 8 trac system;
- Minimum 12" - Maximum 216".

Code	\$	Description
BE-J12	124	8 wire cable / 4 circuit - 12"L
BE-J18	133	8 wire cable / 4 circuit - 18"L
BE-J24	141	8 wire cable / 4 circuit - 24"L
BE-J36	152	8 wire cable / 4 circuit - 36"L
BE-J42	164	8 wire cable / 4 circuit - 42"L
BE-J48	174	8 wire cable / 4 circuit - 48"L
BE-J54	181	8 wire cable / 4 circuit - 54"L
BE-J60	196	8 wire cable / 4 circuit - 60"L
BE-J66	204	8 wire cable / 4 circuit - 66"L
BE-J72	214	8 wire cable / 4 circuit - 72"L
BE-J78	224	8 wire cable / 4 circuit - 78"L
BE-J84	237	8 wire cable / 4 circuit - 84"L
BE-J96	256	8 wire cable / 4 circuit - 96"L
BE-J120	300	8 wire cable / 4 circuit - 120"L
BE-J216	557	8 wire cable / 4 circuit - 216"

BE-HC

Harness connector F/F

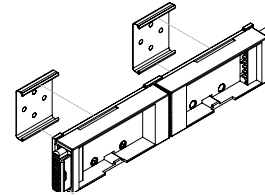


- Used to connect jumper cables and blocks together;
- 1-1/2" x 2-1/4".

Code	\$	Description
BE-HC	56	

BE-DHB

Single sided power block

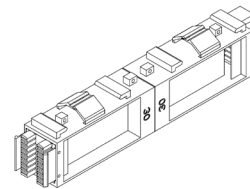


- Maximum of 2 duplex per block;
- Includes mounting plates ;
- F/F ;
- For 8-trac system ;
- Duplex ordered separately.

Code	\$	Description
BE-DHB	111	

BE-DBSM

Double sided power block



- Maximum of 4 duplex per block;
- For 8-trac system ;
- Slide mounting sold separately ;
- F/F ;
- Duplex ordered separately.

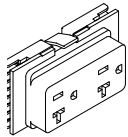
Code	\$	Description
BE-DBSM	160	

Accessories

Electrical Accessories

BE-D20-C

Duplex

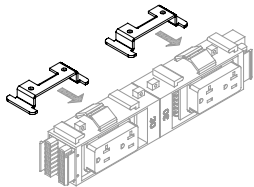


- 20 Amp;
- Height 1-1/18";
- For BE-DHB & BE-DBSM blocks ;
- Colors: Black or white ;
- Maximum of 10 Duplex per circuit.

Code	\$	Description
BE-D20-C-1-BL	50	Circuit 1 - 20A - Black
BE-D20-C-2-BL	50	Circuit 2 - 20A - Black
BE-D20-C-3-BL	50	Circuit 3 - 20A - Black
BE-D20-C-4-BL	50	Isolated Circuit 4 - 20A - Black
BE-D20-C-1-WH	58	Circuit 1 - 20A - White
BE-D20-C-2-WH	58	Circuit 2 - 20A - White
BE-D20-C-3-WH	58	Circuit 3 - 20A - White
BE-D20-C-4-WH	58	Isolated Circuit 4 - 20A - White

BE-SM58-2

Slide mount bracket

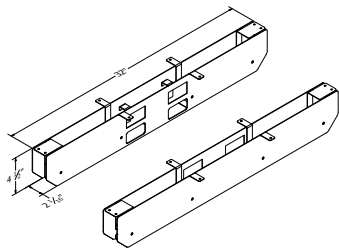


- 2 brackets;
- Only for the double power block (BE DBSM);
 - 5/8" height;
 - Screws included.

Code	\$	Description
BE-SM58-2	35	

BE-WMS-32

Power and data cable support single sided (1)

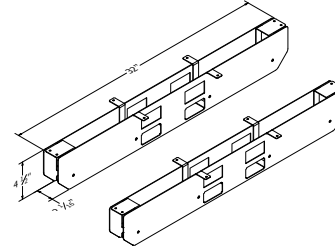


- 32" metal wire management system for power block BE-DHB and 2 telecom plate cutouts
- Channel to isolate power cables from data cables.
- Screws included to install the channel under a top.
- Power block, duplexes and telecom plates not included
- Colors : Black or white.

Code	\$	Description
BE-WMS-32-BL	279	Black
BE-WMS-32-WH279		White

BE-WMD-32

Power and data cable support double sided (1)



- 32" metal wire management system for power block BE-DBSM and 4 telecom plate cutouts.
- Channel to isolate power cables from data cables.
- Screws included to install the channel under a top.
- Power block, duplexes and telecom plates not included
- Colors : Black or white.

Code	\$	Description
BE-WMD-32-BL	279	Black
BE-WMD-32-WH279		White

WM

Velcro Tie

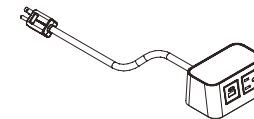


- Velcro tie for electrical cable;
- The non-metallic buckle is safe to use around electrical devices;
- Dimensions: 3/4" x 10";
- Color: black.

Code	\$	Description
WM	14	Unit price
WMS	15	with #8, 9/16" Robertson screw, per unit

BR1

Branch unit

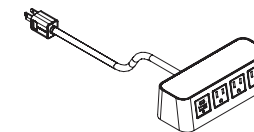


- 1 power outlet / 1 dual charger USB-a+c;
- Table top with braided storm 120 IN power cord.

Code	\$	Description
BR1BL	515	Black
BR1WH	515	White

BR2

Branch unit



- 3 power outlet / 1 dual charger USB-a+c;
- Table top with braided storm 120 IN power cord.

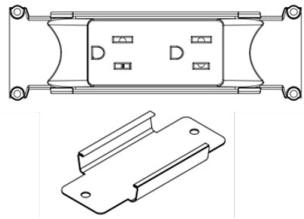
Code	\$	Description
BR2BL	660	Black
BR2WH	660	White

Accessories

Electrical Accessories

BE1-DMB

Duplex Receptacle with Mounting Bracket

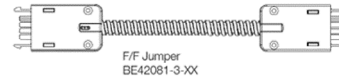


- Duplex receptacle 15 Amps;
- Metal mounting kit included;
- M/M;
- For system 1 circuit 15 Amps;
- Maximum of 8 duplex per circuit.

Code	\$	Description
BE1-DMB	71	

BE1-J

Jumper F-F

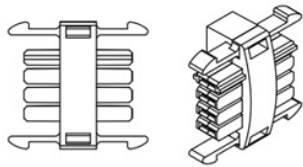


- F/F jumper cable;
- Not adjustable;
- For system 1 circuit 15 Amps;
- Minimum 60" - Maximum 120".

Code	\$	Description
BE1-J18	77	Cable - 18"L
BE1-J36	92	Cable - 36"L
BE1-J48	107	Cable - 48"L
BE1-J60	119	Cable - 60"L
BE1-J72	135	Cable - 72"L
BE1-J120	179	Cable - 120"L

BE1-DC

Connector F/F between Duplex

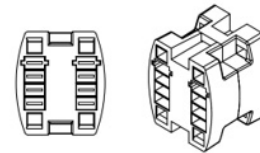


- Used to connect duplex to duplex;
- F/F;
- For system 1 circuit 15 Amps.

Code	\$	Description
BE1-DC	16	

BE1-HC

H-Connector M/M

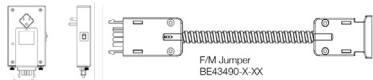


- H-connector M/M;
- Used to connect jumper cables F/F;
- For system 1 circuit 15 Amps.

Code	\$	Description
BE1-HC	27	

BE1-PI

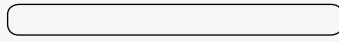
Corded Power Infeed 15 Amps



- Corded power infeed with 15 Amps plug (in 2 section);
- Female end;
- For system 1 circuit 15 Amps;
- Minimum 72" - Maximum 120".

Code	\$	Description
BE1-PI72	552	
BE1-PI120	605	

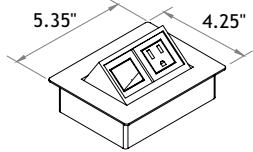
Accessories



Electrical Accessories

MH3A

Connectivity unit



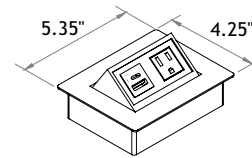
- Retractable connectivity unit with 1 electrical outlet and 1 empty telecommunication outlet (outlet not included);
- 72" or 120" power cable with electric plug;
- Finish: Satin Nickel.



Code	S	Description
MH3A	430	Satin Nickel, 72" power cable
MH3A120	444	Satin Nickel, 120" power cable

MH3D

Connectivity unit



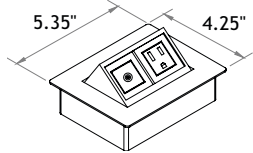
- Retractable connectivity unit with 1 electrical outlet and 1 dual charger USB-a+c;
- 72" or 120" power cable with electric plug;
- Finish: Satin Nickel.



Code	S	Description
MH3DSN	430	Satin Nickel, 72" power cable
MH3DSN120	444	Satin Nickel, 120" power cable
MH3DBL	430	Black, 72" power cable
MH3DBL120	444	Black, 120" power cable
MH3DWH	430	White, 72" power cable
MH3DWH120	444	White, 120" power cable

MH3B

Connectivity unit



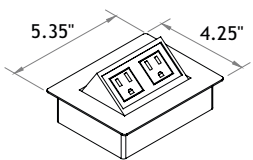
- Retractable connectivity unit with 1 audio jack and 1 electrical outlet;
- 72" or 120" power cable with electric plug;
- Finish: Satin Nickel.



Code	S	Description
MH3B	430	Satin Nickel, 72" power cable
MH3B120	444	Satin Nickel, 120" power cable

MH3C

Connectivity unit



- Retractable connectivity unit with 2 electrical outlets;
- 72" or 120" power cable with electric plug;
- Finish: Satin Nickel.



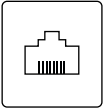
Code	S	Description
MH3C	430	Satin Nickel, 72" power cable
MH3C120	444	Satin Nickel, 120" power cable

Accessories

Electrical Accessories

POR 01

RJ45, CAT 6 connectivity port



- RJ45, CAT6 connector;
- RJ45 M/F cable - 72";
- Finish: Black.

Code	\$	Description
POR 01	153	

POR 04

HDMI connectivity port

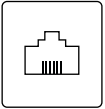


- HDMI connector;
- HDMI F/F cable - 18";
- Finish: Black.

Code	\$	Description
POR 04	141	

POR 02

RJ11 connectivity port

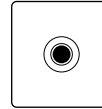


- RJ11 connector, 4 pin
- RJ11 M/F cable - 84";
- Finish: Black.

Code	\$	Description
POR 02	45	

POR 05

Mini Stereo Jack

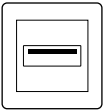


- 3.5 mm Mini Stereo Jack, M/F;
- Audio M/F cable -120";
- Finish: Black.

Code	\$	Description
POR 05	50	

POR 03

USB connectivity port

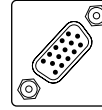


- 1 USB (data/passive);
- USB M/F cable - 72";
- Finish: Black.

Code	\$	Description
POR 03	95	

POR 06

VGA Connector



- VGA connector, 15 pin;
- VGA M/F cable -120";
- Finish: Black.

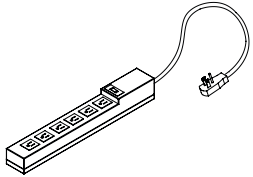
Code	\$	Description
POR 06	177	

Accessories

Electrical Accessories

PBL

Power bar



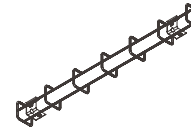
- Power bar with 6 electric outlets;
- 120" power cable with electric plug.



Code	\$	Description
PBL	66	

CT

Metal cable tray



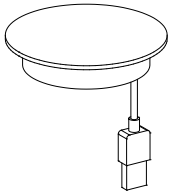
Metal cable tray

- In stainless steel;
- Dimensions: 2x4; Interior dimensions: 1-7/8"D x 1-7/8"H
- Length of 24" and 118" (118" can be cut on site).
- With mounting hardware

Code	\$	Description
CT24	103	
CT118	219	

CQI

Wireless Charger



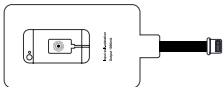
- Wireless air charger;
- Works with Qi compatible devices;
- 59" USB cable with USB wall charger;
- Finish: Black, White.



Code	\$	Description
CQIBL	119	Black
CQIWH	119	White

QIIP

Transmitter for iPhone



- Receiver for phones without Qi technology;
- For wireless charge devices;
- Adapter for Apple lightning port.

Code	\$	Description
QIIP	122	

Accessories



Electrical Accessories

DSG

Double-sided grommet

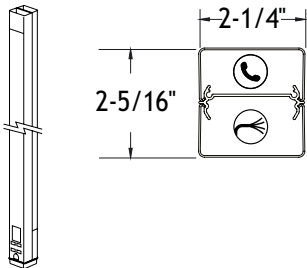


- Double-sided grommet
- Hole diameter: 2.5"
- Use for electrical cable management with division panels. Drilling to be done by the installer.
- Grommet to cut on site for desired thickness to cover;
- Can not be cut with a simple utility knife, use a sharper and safer tool.

Code	\$	Description
DSG BL	25	Black
DSG WH	25	White

WMP

Wire Management Pole



- Blank steel pole to bring cables from the ceiling to a work station;
- Satin nickel finish with a grey boot base;
- 2 compartments: 1 power/1 communications
- Mounting hardware, entrance end plate and ceiling trim plate included;
- Wires and outlets not included;
- Height: 12' 5".

Code	\$	Description
WMP	485	

WS36-WS54

Fabric sleeve for wires

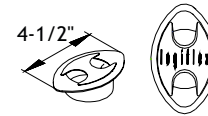


- Flexible fabric wire organizer (Cornerblock Black - Black and Charcoal - Gray of Ennis Fabrics);
- 3" diameter;
- With zipper.

Code	\$	Description
WS36B	152	Black
WS36G	152	Gray
WS54B	153	Black
WS54G	153	Gray

ELPF

Black Plastic Grommet

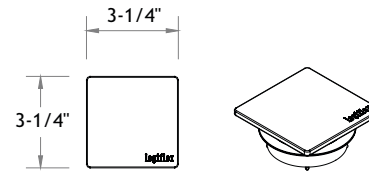


- Standard black plastic grommet with the Logiflex logo engraved;
- 2-1/2" diameter cutout.

Code	\$	Description
ELPF	5	Unit price

C_PF

Grommet



- Square metal grommet with the Logiflex logo engraved;
- Finish: Satin Nickel, Black and Chrome;
- 2-1/2" diameter cutout.

Code	\$	Description
CAPF	28	Unit price - Satin Nickel
CBPF	28	Unit price - Black
CCPF	28	Unit price - Chrome
CDPF	28	Unit price - White

As our product line is constantly evolving and expanding, we recommend that you visit logiflex.ca for updates.

logiflex

1235 St-Roch N., Sherbrooke QC J1N 0H2 Canada
T : 1.877.864.9323 | F : 1.800.474.7830 | logiflex.ca

