

RECEPTION

Price List
CANADA 2025



logiflex

Table of Contents

Introduction	3	Work Desks	67
Update Summary	4	Lateral Tables	68
Product Map	5	Returns	69
Our social responsibility	7	Extended Corner Tables	70
Conditions of Sale	7		
Manufacturing Standards	8	Storage Furniture	72
How to Use the Price List	10	Installed Pedestals	73
Appendix A: Colors and Finishes	11	Mobile Pedestals	75
Appendix B: Surfaces and Molding Edges	12	Lateral File Cabinets	77
Appendix C: Pedestals and File Drawers	13	Multiple Units	78
Appendix D: Pricing for Additional Adjustable Shelves	13	Cabinets	79
Appendix E: Wood Grain	14	Pigeonhole Units	81
Appendix F: Monochrom - Manufacturing Standards	15		
Appendix G: Calculation/Use of Electrical Components	18	Accessories	84
		Handles	85
Reception Counters and Desks	21	Lighting	86
M-Brace	22	Keyboard Trays	87
Monochrom	26	CPU Holders	88
Inbox	31	Miscellaneous Accessories	89
Pedestals for Inbox Collection	36	Electrical Accessories	90
Reception 3K	39		
Gallery	42		
Spheric	45		
Manhattan	59		
Reception C	60		

Introduction

MAKE A STATEMENT

A client's first impression when they visit your company may affirm their decision to choose your product or service.

This makes it important to personalize your reception desk to make it distinctly you. From minimalist geometry to curves and curls, Logiflex's reception units will highlight the individuality of your company, projecting a modern esthetic without sacrificing functionality.

Update Summary

The Reception price list presents these principal modifications:

DATE	SECTION	MODIFICATIONS
May 14, 2025	Accessories	<ul style="list-style-type: none"> Modification of LED system.

Previous updates:

DATE	SECTION	MODIFICATIONS
April 30, 2025	Reception Desks	<ul style="list-style-type: none"> Monochrom : modification of manufacturing standards and the look of the reception (MON, MONL, MONR).
March 3, 2025	All the Price List	<ul style="list-style-type: none"> All prices have been increased by approximately 3%.
March 1, 2024	All the Price List	<ul style="list-style-type: none"> All prices have been increased by approximately 5% except products with HPL surface. The Reception REL and RECL series have been increased by 10%.
November 22, 2023	All the Price List	<ul style="list-style-type: none"> Removal of high gloss. Adjustment prices of furniture with glass doors.
	Electrical accessories	<ul style="list-style-type: none"> Addition of the wire management system BE-WMS-32 & BE-WMD-32. Addition of items for 15a electric circuit: BE1-DMB, BE1-DC, BE1-PI, BE1-J & BE1-HC. Removal of OAS, INT, COV1 & F-714.
July 4, 2023	Electrical accessories	<ul style="list-style-type: none"> Chicago Code : Certain electrical components are now marked prohibited or restricted for orders in chicago. (USA pricelist only).
May 22, 2023	Reception Desks	<ul style="list-style-type: none"> M-Brace : addition of 1" laminate. Prices adjustment for Monochrom reception MON, MONL and MONR.

Introduction

Product Map

Reception Counters

M-Brace p. 22

Monochrom p. 26

Reception Desks

Inbox p. 31

Reception 3K p. 39

Gallery p. 42

Spheric p. 45

Manhattan p. 59

Reception C p. 60

Introduction

Product Map

Work Desks

Lateral Tables p. 68



Returns p. 69



Extended Corner Tables p. 70



Storage Furniture

Installed Pedestals p. 73



Storage Furniture (continued)

Mobile Pedestals p. 75



Lateral File Cabinets p. 77



Multiple Units p. 78

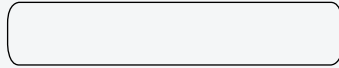


Cabinets p. 79



Pigeonhole Units p. 81





Our social responsibility

At Logiflex, we have chosen to be a responsible North American manufacturer by implementing initiatives for sustainable development. As much as possible, we source local materials and partner with suppliers who prioritize clean manufacturing processes. We also consolidate goods during transport to reduce our fuel consumption and we continually make changes that help reduce our waste production.

The company is ISO 9001 certified.

You can consult our eco-responsible approach as well as all our certifications in the [Certifications](#) section of our website. Find out how our products can help you obtain LEED credits and the Logiflex products that are Indoor Advantage Gold certified.

Conditions of Sale

Prices

The amounts listed in this document are suggested retail prices and may be changed without notice. Applicable taxes are not included. If you have an open and active account with Logiflex, merchandise will be invoiced at the prices prevailing at the time of shipment. A deposit may be requested if the opening of your account has not been completed or if your account has become inactive.

Terms of Payment

Net 30 days F.O.B. Sherbrooke, Quebec. The invoice will be assigned the shipping date and is payable 30 days from that date. Logiflex remains the owner of the merchandise until the invoice is paid in full.

Customized Products (Special Items)

Price requests for customized products or special items can be submitted via the ["Member Zone"](#) section of our website, at www.logiflex.ca. Our quotations department will study your request and send you a quotation and a technical drawing for approval as soon as possible. Modifications to quotations or technical drawings can be requested the same way. The approved quotation(s) and technical drawing(s) can then be attached to your purchase order.

Orders

An official purchase order must be issued for all purchases. Your purchase order must contain the following information:

- Your company letterhead
- Your reference number
- The delivery address (with contact name, email and phone number)
- The complete product codes
- Furniture colour(s)
- Quantities
- Descriptions
- Retail prices and net prices
- Project registration number (if applicable), and your approved quotation and technical drawing (for special items).

Please note that a quotation cannot serve as a purchase order.

Returns

All returns must first be approved by Logiflex. If the return is accepted, a Logiflex customer service representative will send you an official return authorization form in order to facilitate procedures between you, the carrier, and the Logiflex merchandise reception clerk. Additional costs for shipping or other expenses may be applied following any merchandise returns.

Modifications and/or Cancellations

You have 48 hours from the time we acknowledge receipt of your order to make any requests for corrections or modifications. You may cancel your order during this same 48-hour period. If you would like to modify or cancel your order after this 48-hour verification period, please check with a Logiflex customer service representative. Orders cannot be changed or cancelled if production has already begun or if Logiflex has already received the raw materials.

Liability

Logiflex's liability ends once the carrier has delivered all items in good condition. A delivery receipt signed by the customer acknowledges that the shipment is complete and has been received in good condition.

Claims

Logiflex recommends inspecting the shipment before signing the carrier's delivery receipt. You must notify Logiflex of any incomplete shipments or damaged furniture within 30 days after delivery. Requests to replace damaged products can be made via the ["Member Zone"](#) section of our website, at www.logiflex.ca. Our after-sales service department will examine your request and help you correct the situation.

Changes

Logiflex reserves the right to make changes to the materials, accessories, components, specifications and designs, and to discontinue collections and/or models, at any time and without prior notice.

Storage and/or Shipping Fees

According to the terms Logiflex set forth in the transport policy. The transport policy can be consulted online in the Private Space.

Items Delivered Disassembled

Some items are delivered disassembled, such as empty desks, empty returns, bridges, arched tables, D, P or Q tables, lateral tables, end tables, hook tables, corner tables and extended-corner tables.

Warranty

Logiflex guarantees to the original purchaser that Logiflex products are free from defects in design, materials and workmanship for the product's lifetime, with certain exceptions.

You may consult the full warranty on the website: [Logiflex Warranty](#)

Introduction

Manufacturing Standards

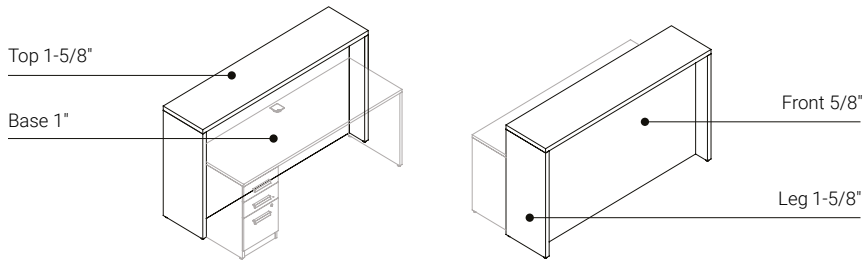
Product Dimensions

For display purposes, the furniture dimensions represented in the price tables on each product page are rounded to the nearest whole number.

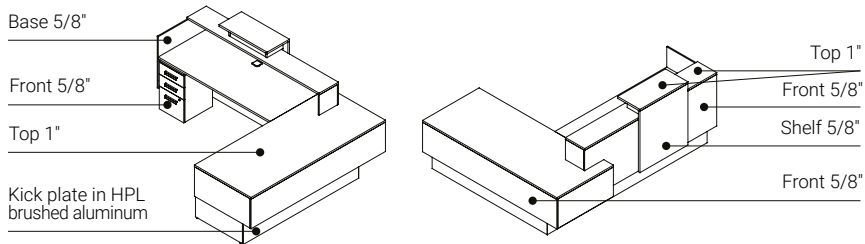
Tops, Bases, Fronts and Shelves

Each collection offers different thicknesses for tops, faces, fronts and shelves. Please consult the illustrations below.

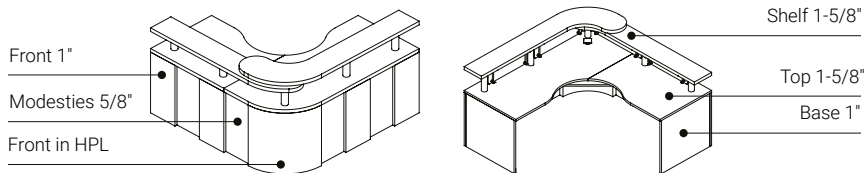
M-Brace



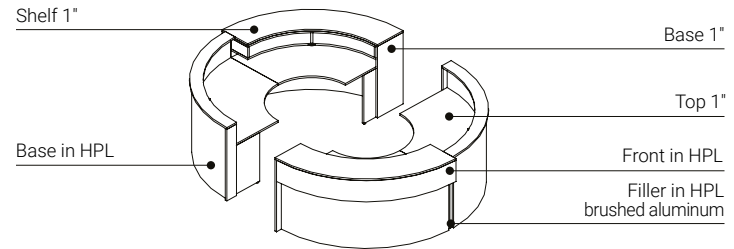
Inbox



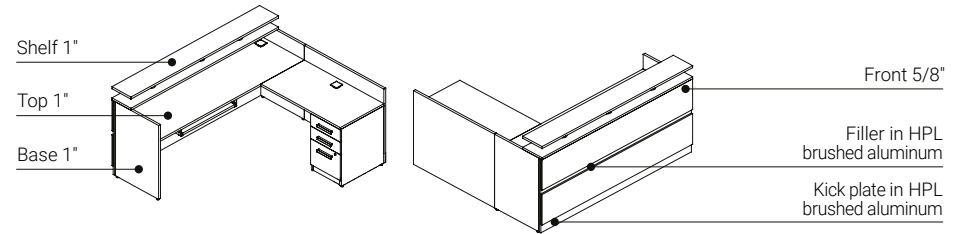
Manhattan



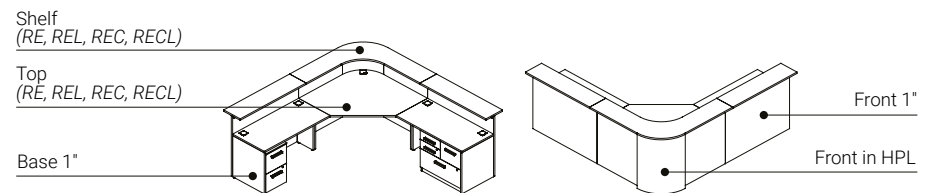
Spheric



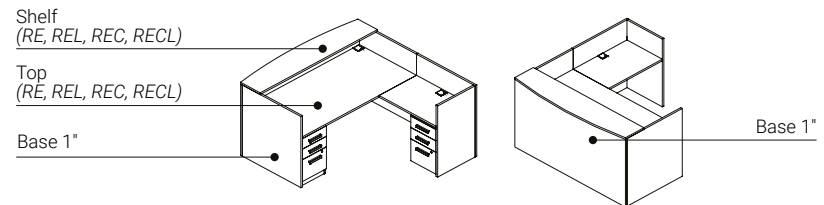
Reception 3K



Reception C



Gallery





Manufacturing Standards (continued)

Handles

Handles are included with all storage furniture. Refer to each collection's pages for the standard handle used. Glass doors include built-in handles into the aluminum frame. Please refer to the Logiflex accessories selection at the end of this price list on [p. 85](#).

Grommets

Grommets are included on all work desks, refer to each collection's pages for the standard grommet finish used.

Locks

Locks are included with all storage furniture, except for those with aluminum doors. The standard is LKSN, satin nickel finish. Please refer to the Logiflex accessories selection at the end of this price list on [p. 89](#).

Pedestals

All drawers are made of black Medium density fiberboard (MDF) with an average thickness of 7/16".

Drawer Fronts

A PVC strip 1.5 mm thick is systematically applied along all drawer front edges.

Finishes

You must specify the desired finish(es) for each item of furniture ordered. Please make your selection(s) from the Logiflex [Colors & Finishes Guide](#).

Levelers

All furniture items sit on 1" in diameter, white nylon levelers, allowing for up to 1" height adjustment.

Colors

Colors have to be specified for all furniture items ordered. Consult the "How to Order" section on the product page for further details about the procedure. Consult the Logiflex [Colors & Finishes Guide](#) for the colors and finishes offered. Unless indicated otherwise in the order, the PVC edge will match the color and finish specified.

Introduction

How to Use the Price List

Interactive Menu

- Product line: Reception Desks
- Product group: M-Brace, Spheric, Gallery
- Product name: Left L-Shaped Counter
- Product code: INBL L

Product image

3D rendering of the L-shaped counter with dimensions: 12" (height), 41" (depth), 18" (width), 30" (width), A (length), B (width).

Product Information

Combination of Colors: Top, Base, Front, Shelf (Std or HG colors)

Manufacturing Standards

- 1" tops;
- Metallic high pressure laminate kick plate;
- 2 CAPF grommets on the main work surface.

LED option: Cool white LED tape lighting the kick plate, with 4-step touch dimmer installed under the desk.

Options

- Grommet Position: L, R, LR
- Grommet Style: ELPF (SO), CAPF/CCPF (SS)
- LED Option: DEL (SS)

Prices

Dimensions		Std	Hg
A	B		
72	82	****	****
72	88	****	****
72	94	****	****
72	100	****	****
78	82	****	****
78	88	****	****
78	94	****	****
78	100	****	****
84	82	****	****
84	88	****	****
84	94	****	****
84	100	****	****

How to Order

NGR, GRL, GRR, GLR (std), ELPF, CAPF, CCPF (std), LED, Combination of Colors (See the Logiflex Color Chart (p. 24))

RE	AB	INBL	L	GLR (std)	CCPF (std)	LED	top	base	front	shelf
series	dimensions	product	direction	grommet position	grommet style	LED				
Example	RE	84100	INBL	L	GLR	CCPF	LL	W	W	W

Standard Product Code
Details as per the price listed

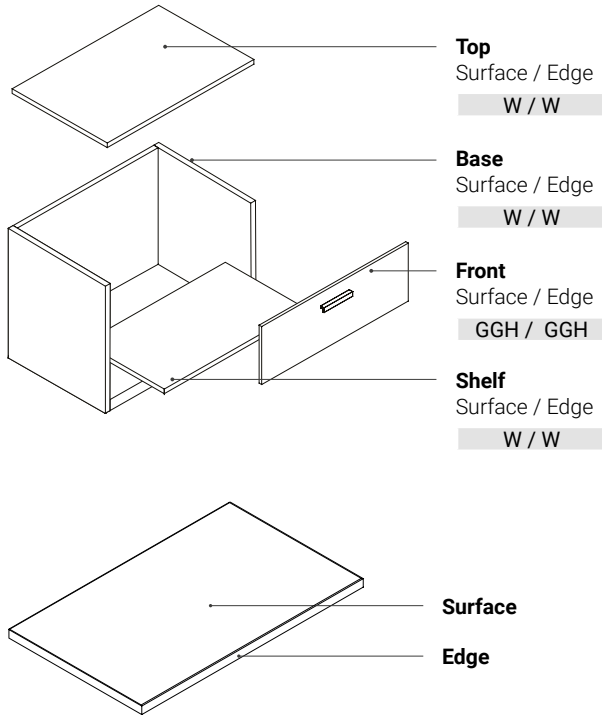
Options, if desired (\$)
Always after the product code

Combination of Colors

Introduction

Appendix A: Colors and Finishes

How to specify your laminate colors



Glass and Acrylic

- V4** White Glass
- V5** White Satin
- KB** Jet Black Glass
- KS** Black Satin Glass
- KE** Ocean Blue Glass
- KO** Overseas Blue Glass
- KR** Bright Red Glass
- KM** Metallic Gray Glass
- KA** Satin Silver Glass
- KG** Satin Gold Glass
- VS** Frosted Glass
- PL** Frosted Acrylic

Availability Chart

FINI FINISH	CODE	COLOR COULEUR	THICKNESS ÉPAISSEUR			HPL STRATIFIÉ	PANVAL CODE
			5/8"	1"	1-5/8"		
OMNIA	DOO	Dosha	•	•		•	K77
	COO	Cosmos	•	•		•	K78
AURA	GIA	Ginger Root Gingembre	•	•		•	H72
	HAA	Haze Brume	•	•	•	•	H57
	OHA	Ohm	•	•	•	•	K69
	STA	Storm Tempête	•	•	•	•	H58
	TUA	Tundra	•	•		•	H75
LYRA	ASY	Asha	•	•		•	K47
	CIY	Chiffon Mousseline **	•	•	•	•	K60
	KAY	Kali	•	•		•	K46
SUPERMAT	IGS	Ingot grey Gris lingot	•	•			828
	WGS	Willow grey Gris saule	•	•			802
DOLOMITE	AU	Audacity Audace **	•	•	•	•	241
	B	Jet Black Noir intense *	•	•		•	888 S405-CA
	BC	Brown cherry Cerisier brun	•	•	•	•	207
	C	Slate Ardoise *	•	•		•	801
	DR	Driftwood Bois de rive	•	•		•	744
	G	Mink Grey Gris vison	•	•		•	805 OU-927
	NM	Natural Maple Érable naturel	•	•	•	•	206
	PO	Porto	•	•		•	913 OU-648
	SW	Smoked Walnut Noyer fumé	•	•	•	•	G21
	TO	Tobacco	•	•		•	205
	W	Polar White Blanc polaire	•	•	•	•	555 459-CA
	WK	Whisky	•	•	•	•	245

* Non recommended color for work surfaces.

** For conference tables with 2 or more parts, we do not recommend the use of colors with irregular and contrasted woodgrain like Chiffon, Audacity or Coastal Pear as it results in a pronounced wood grain mismatch.



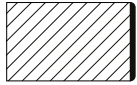
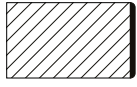
Colors may vary from 2% to 5% between tfl and hpl laminates due to different technical applications.

See our complete [Colors & Finishes Guide](#)

New



Appendix B: Surfaces and Molding Edges

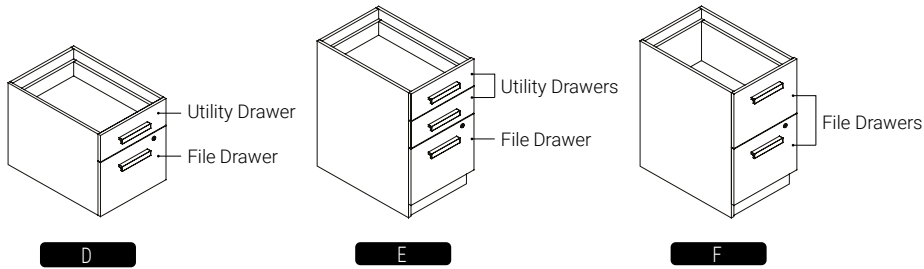
SERIES	PREVIEW	COMPONENT	MATERIAL	EDGES / MOLDING
RE		1" surfaces	Thermofused laminate (TFL) - 1" high-density particle board.	1.5 mm polyvinyl chloride (PVC)
REL		1-1/16" surfaces	High pressure laminate (HPL) - 1" high-density particle board, 1/32" HPL sheet on surface, 1/32" balancing sheet under surface (prevents bending).	1.5 mm polyvinyl chloride (PVC)
REC		1-5/8" surfaces	Thermofused laminate (TFL) - 1-5/8" high-density particle board.	1.5 mm polyvinyl chloride (PVC)
RECL		1-9/16" surface	High pressure laminate (HPL) - 1-1/2" high-density particle board, 1/32" HPL sheet on surface, 1/32" balancing sheet under surface (prevents bending).	1.5 mm polyvinyl chloride (PVC)

Introduction

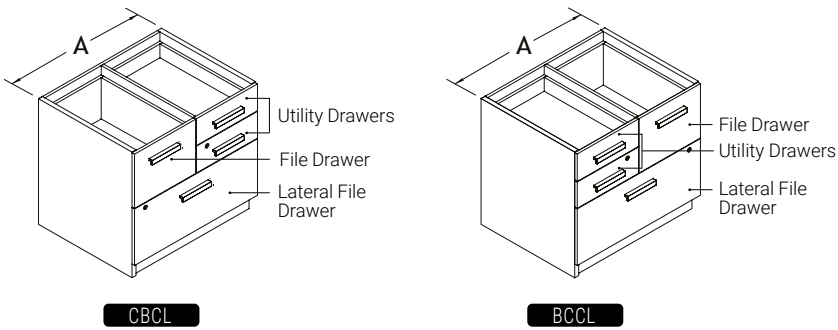


Appendix C: Pedestals and File Drawers

D, E and F Pedestals

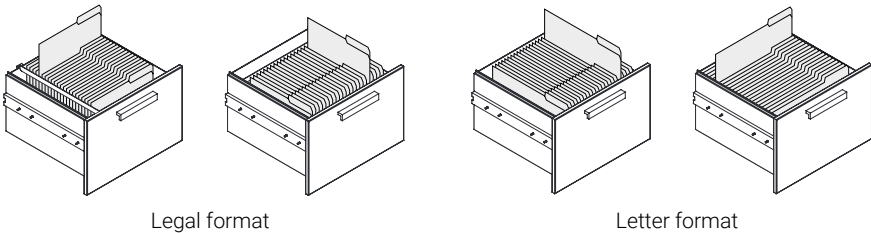


Combination Pedestals



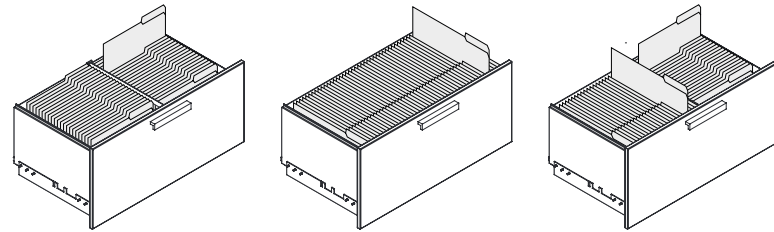
File Drawers

File drawers can receive either legal or letter formats. Please refer to the illustration below.



Lateral File Drawers

Lateral file drawers can receive either legal or letter formats. Please refer to the illustration below.



Legal and Letter formats

*For solidity purposes, ensure all files are suspended.

Appendix D: Pricing for Additional Adjustable Shelves

To find out the price for additional adjustable shelves, trace down the vertical column "A" the shelf depth to its intersection with columns "B" the shelf length.

\$	B									
	12"	15"	18"	20"	24"	30"	36"	42"	48"	
A	12"	21	28	37	39	45	55	66	78	89
	15"	28	38	43	46	55	69	84	96	111
	16"	29	39	45	48	59	76	89	104	121
	20"	39	46	55	62	76	92	111	130	146
	24"	45	55	66	76	89	111	134	153	177
	30"	55	69	84	92	111	138			

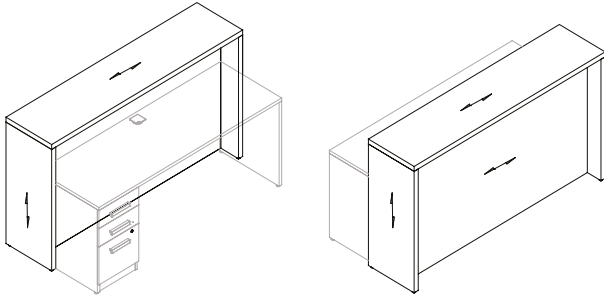
Introduction



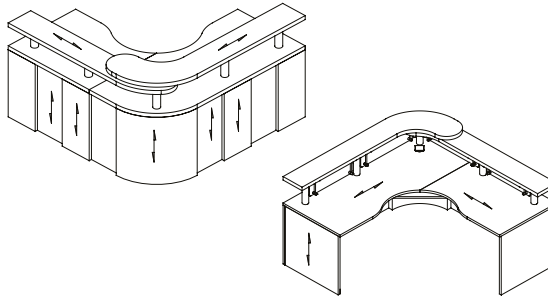
Appendix E: Wood Grain

Each collection offers different wood grain direction. Please consult the illustrations below.

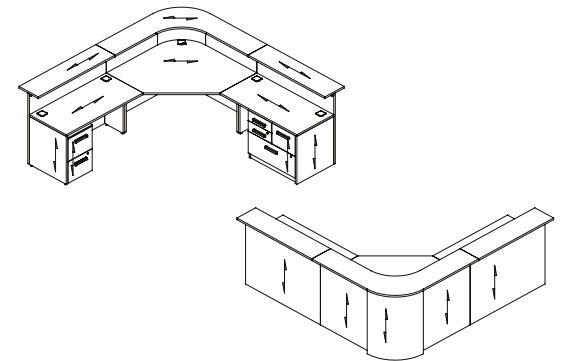
M-Brace



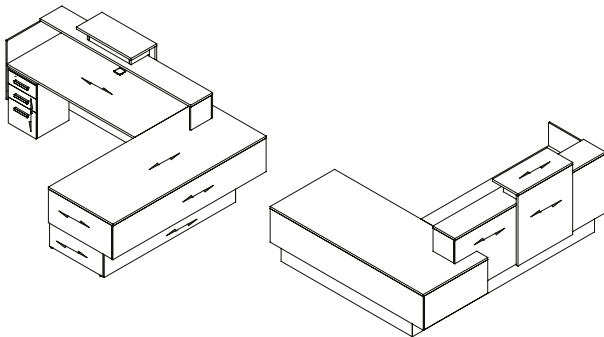
Manhattan



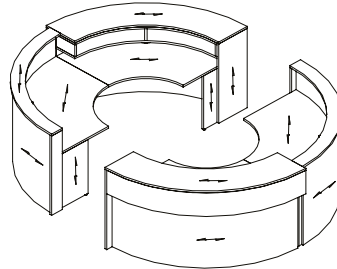
Reception C



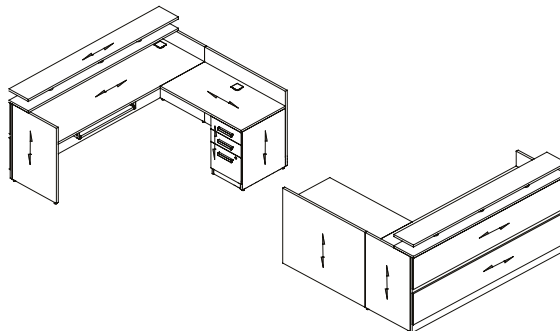
Inbox



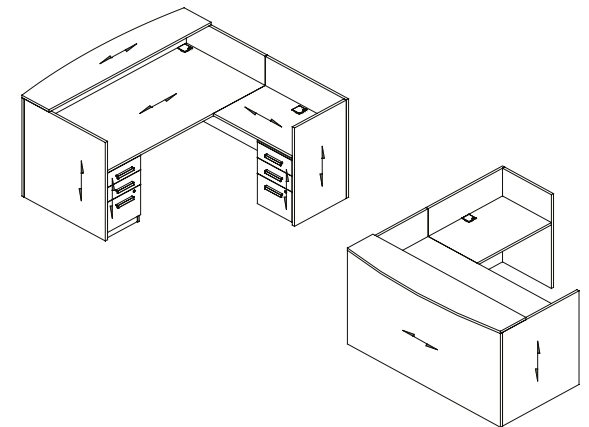
Sphéric



Reception 3K



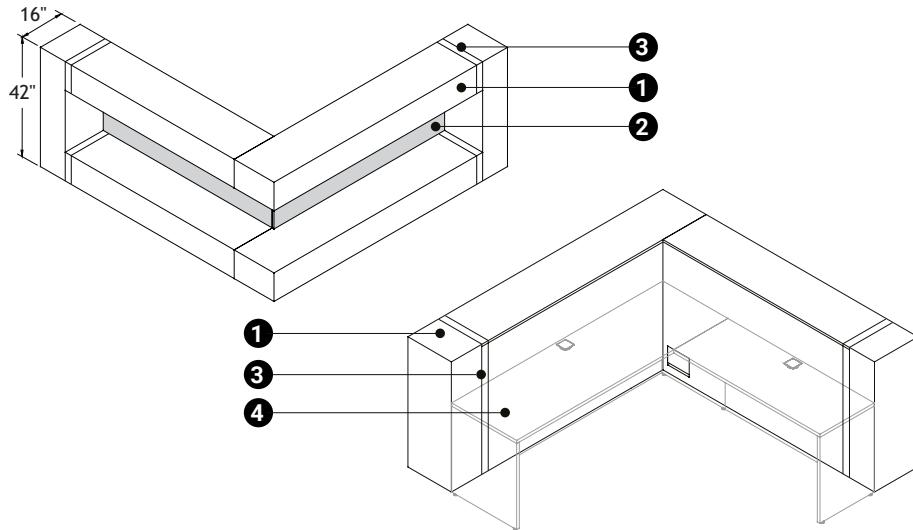
Gallery



Introduction

Appendix F: Monochrom - Manufacturing Standards

Monochrom Reception Counter Components



- 1 Frame** with Monochrom high pressure laminate applied after assembly for a clean and precise look without visible edges. 5/8" panel construction, on white levelers.
- 2 Front** high pressure laminate recessed 14-1/4".
- 3 Wood inserts.**
- 4 Work desk and storage furniture sold separately and are independent.** The Monochrom reception desks can be combined with all Logiflex collections.

Information about Monochrom HPL

The Monochrom finish offers an ultra matte surface, low light reflectivity, anti-fingerprint finish and a soft-touch surface. This product can be easily cleaned and requires no special maintenance plan. In addition, the Monochrom finish is antibacterial and resists wear, abrasion, acids, bases and solvents.

Properties of the Monochrom finish :

- Matte finish, ultra-soft to the touch;
- Anti-fingerprints;
- Through-color core;
- Scratch resistant;
- Antibacterial.

For more information on the Monochrom finish, refer to the [Material Data Sheet](#).

Application of Colors

We recommend you rely on actual samples to make your color combinations.

Frame

The Monochrom reception frame is covered only with Monochrom high pressure laminate, available in two colors:



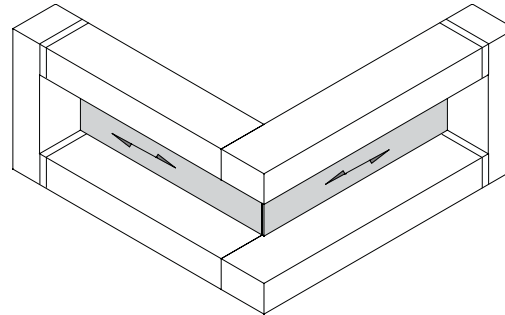
CBM Carbon



CKM Chalk

Recessed Front

All colors available in HPL can be used for the recessed front. The direction of the wood grain is horizontal. [See Appendix A.](#)



Wood Inserts

All available wood stain colors can be used for wood inserts. See our complete [Colors & Finishes Guide](#)

Piazza Cement : exclusive to the Monochrom collection

The recessed front can also be finished in Piazza Cement (PIC), a new laminate color offered exclusively for the recessed front of the Monochrom reception.



PIC Piazza Cement

Introduction

Appendix F: Monochrom - Manufacturing Standards

Configurations

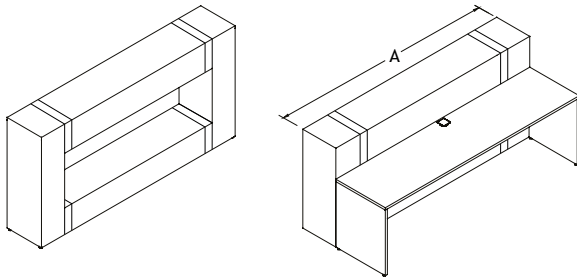
Multiple configurations are possible by combining one of three Monochrom reception counter models with different desks, returns and cabinets. It is important to consider the following in selecting the desk to combine with the reception counter.

MON - Linear Reception Counter:

This counter has been designed to achieve a linear configuration. Both sides of the work desk are visible.

- The width of the desk is the same as the width of the reception desk.
- There are no restrictions on the depth of the desk.

***Note:** For stability purposes it is recommended that this reception counter be attached to a desk.



MONL/MONR (40" and 46" deep) - "L" Shaped Reception Counter

This counter has been designed to achieve an overall linear configuration. The return of the counter can hide one of the sides of the desk.

- The width of the desk must be 16" less than the width of the counter (Dim. A).
- The depth of the desk must be 16" less than the counter depth (Dim. B)

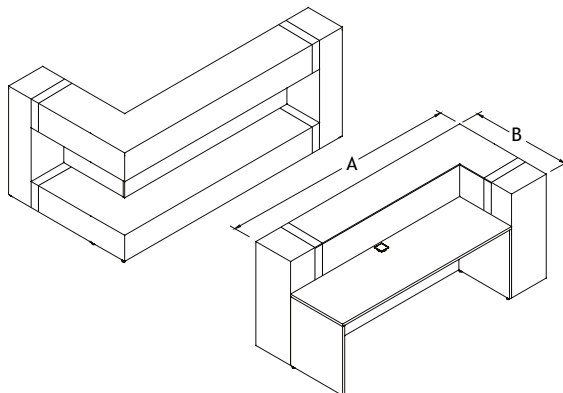
Ordering Information

Desk (width)

Counter Width (A)	Desk Width
76"	60"
82"	66"
88"	72"
94"	78"

Desk (depth)

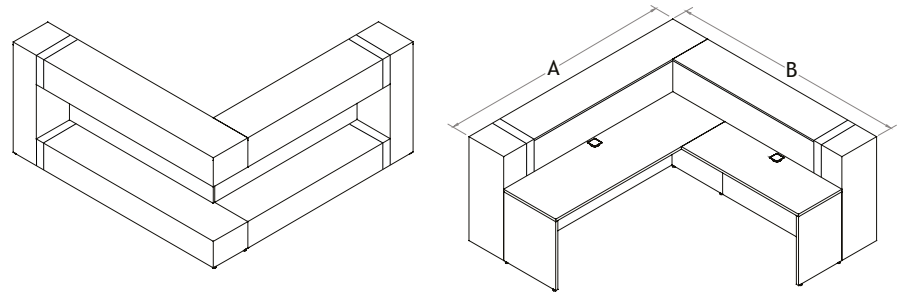
Counter Depth (B)	Desk Depth
40"	24"
46"	30"



MONL/MONR (70" deep and more) - "L" Shaped Reception Counter

This counter has been designed to achieve an L-shaped configuration. The return of the counter can hide one side of the desk and return.

- The width of the desk must be 16" less than the width of the counter (Dim. A).
- The width of the return will depend on the depth of the desk.
 - If the desk is 24" deep, the return must be 40" less than the counter depth (Dim. B)
 - If the desk is 30" deep, the return must be 46" less than the counter depth (Dim. B)



Ordering Information

Desk

Counter width (A)	Desk width
76"	60"
82"	66"
88"	72"
94"	78"

Return

24" deep desk		30" deep desk	
Return depth (B)	Return width	Return depth (B)	Return width
70"	30"	70"	-
76"	36"	76"	30"
82"	42"	82"	36"
88"	48"	88"	42"
94"	54"	94"	48"

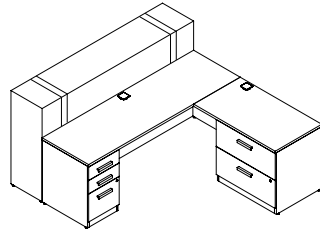
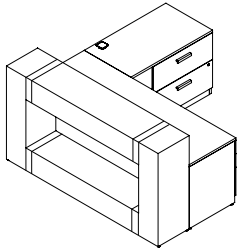
Introduction



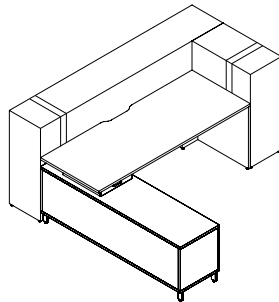
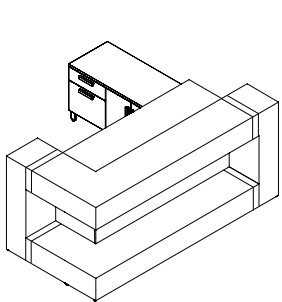
Appendix F: Monochrom - Manufacturing Standards

So Many Other Possible Configurations

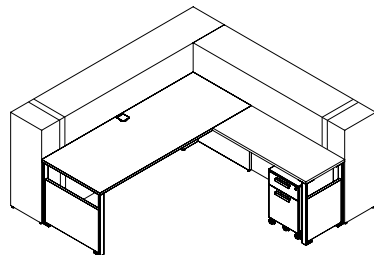
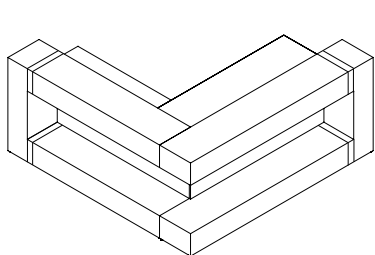
As the reception counter is independent to the desk, you can create different types of configurations. It is therefore important to consider the measurements mentioned on the previous page. Here are only a few ideas of the possibilities... let your imagination go!



Example 1:
MON linear reception counter, Manhattan desk with E pedestal, right return with 2 lateral filing drawers.



Example 2:
MONR "L" shaped reception counter, Level layering desk FM with drawer support and wire cutout, UN02SL high pedestal.



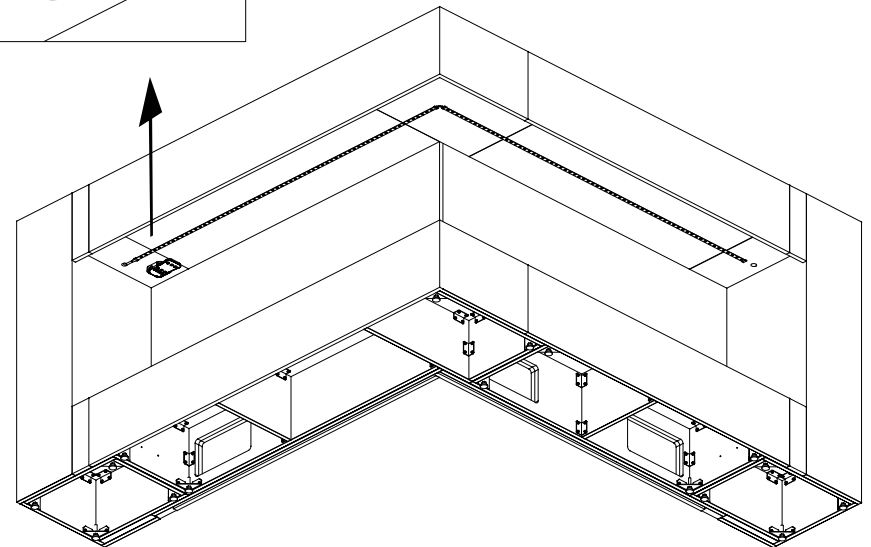
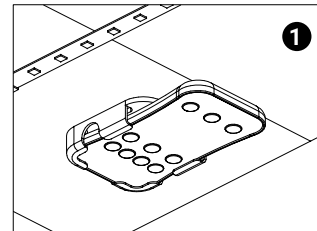
Example 3:
MONR "L" shaped reception counter, Level YM desk, RY return, MOBD mobile pedestal.

LED Option (D1)

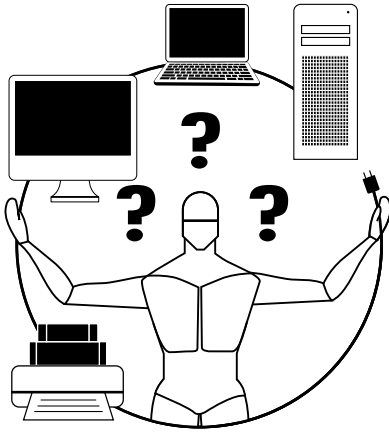
The LED option* consists of a multicolor LED strip installed under the counter surface, which illuminates the recessed front. A remote control ❶ is located under the countertop (see image below).

If the LED option has been ordered, the cabinet comes with LED strips ready to be installed under the countertop. Simply remove the plastic film and place the LED strip after assembly.

***Note:** It is recommended to order the LED option at the same time as the reception unit. However, it can be ordered later, but please note that a large part of the unit will need to be disassembled in order to run the components through the furniture.



Appendix G: Calculation/Use of Electrical Components



An Introduction to Calculation and Use of Electrical Components

Most people are uncomfortable with anything related to electricity. This step-by-step guide is intended for people who are not familiar with electrical installations but who have to specify what system they need when ordering furniture. In this guide, you will learn how to choose and specify the electrical components required for your projects. The list that follows illustrates and identifies each product and describes its applications.

The electrical components are all recognized by the Underwriters Laboratory (UL) as office furniture accessories and are manufactured according to Canadian Standards Association (CSA) and UL electrical standards.

Note: All electrical connections must be performed by a certified electrician.

By following these 3 simple steps, you can easily determine the number of circuits required to ensure safe use of your electrical system.

1. Determining the Number of Amperes Required
2. Calculating the Total Amperes
3. Determining How Many Circuits You Need

STEP 1: Determining the Number of Amperes Required

What is Amperage

An Ampere (Amp or A) is a unit for measuring the rate at which electric current flows. All electrical equipment has an amperage rate. By following these few simple steps, you can easily determine the number of circuits required to ensure safe use of your electrical equipment.

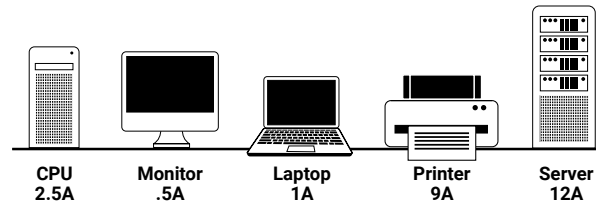
Determine the Number of Amperes Required

On your computer or other electric devices (ie: monitor, central processing unit, printer) find the plate that provides the technical specifications as follows:

Input: 120V - 1.8A.

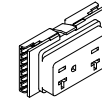
If you cannot locate this information on the machine, you will probably find it in the user manual.

Here are a few examples of how many Amps some equipment may consume. Please note that these are examples and the number of amperes may vary from one machine to another.



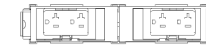
Electrical System Capacity

Our electrical system is designed for circuits of 20 amps each. This includes electrical components such as computers, printers, laptops, monitors, server or other devices.

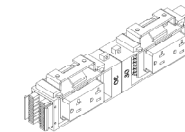


20A

A single Duplex has a maximum capacity of 20 A



Each power block can hold 2 Duplex



Each power block can hold 4 Duplex



If the duplexes are connected to the same circuit, the capacity is divided between them. For example, 3 duplexes connected to the same circuit have a total capacity of 20A.

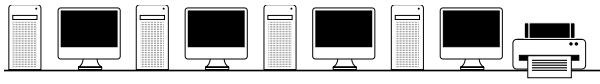
Introduction

Appendix G: Calculation/Use of Electrical Components

STEP 2: Calculating the Total Amperes

Add the Amperes

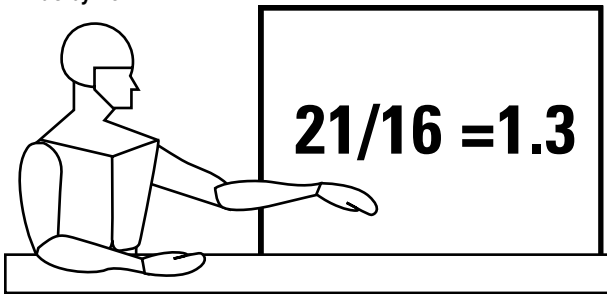
Add the number of amps for each machine. In our example, there are 4 CPUs at 2.5A per computer, 4 monitors at 0.5A and one printer at 9A.



$$2.5A + .5A + 2.5A + .5A + 2.5A + .5A + 2.5A + .5A + 9A = 21A$$

The total number of amperes used in this example equals to 21A.

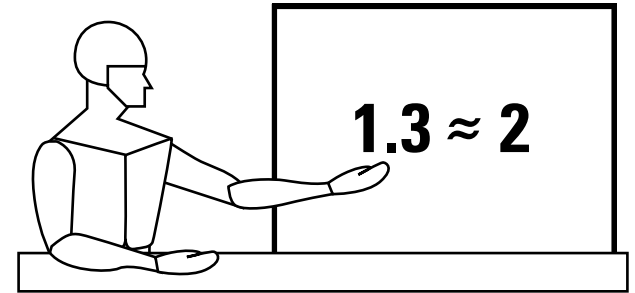
Divide by 16



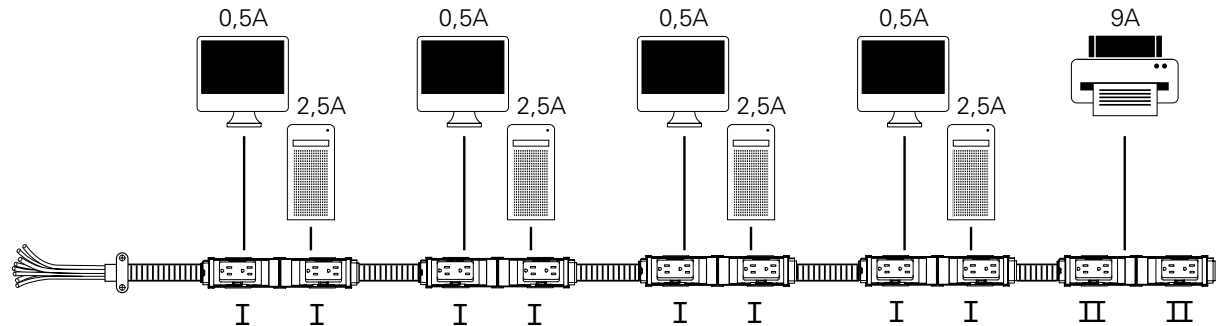
Most machines and computers used in offices or schools are used continuously for many hours at a time. In this type of situation, national electrical codes usually limit circuits at 80% of their capacity of continuous use. Our electrical system is designed for circuits of 20 amps each. So 80% of 20A is 16 Amps. You must therefore divide the total number of amperes calculated by 16.

STEP 3: Determining How Many Circuits You Need

In most cases, this number will contain decimals. Round up to the next whole number, and this will be the number of circuits required for your equipment to run safely. If the number obtained is higher than 4 (the maximum number of circuits for a system), you must reduce the total amperage or add another electrical system. Continuing with our example, the 1.3A is rounded up to 2A.



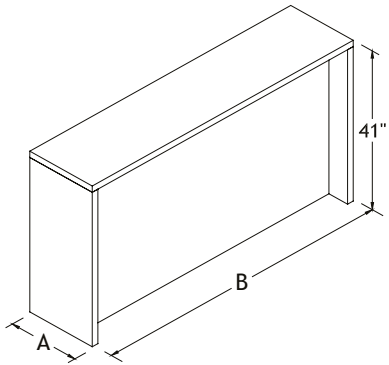
Here is one possible configuration. Using 5 power blocks joined together with junction cables, only 2 circuits are being used. The 4 workstations would be on the first circuit for a total of 16 amps. The printer would be on the second circuit.



Reception Desks

M-Brace - Straight Reception Counter with Laminate Front

MS-M



Manufacturing Standards

- RE : 1" top and legs.
REC : 1-5/8" top and legs.
- 5-3/8" recessed laminate front (exterior);
- 6" recessed modesty panel (interior).

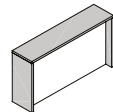
For specification reasons:

- The reception desk RE is 1-5/8" less than the dimension listed.
- The reception desk REC is 3/8" less than the dimension listed.

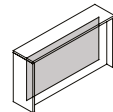
Interior width for work desk:

- 60" work desk fits with a 64" reception counter;
- 72" work desk fits with a 76" reception counter;
- 78" work desk fits with a 82" reception counter.

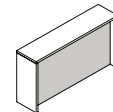
Combination of Colors



Top & Legs
Color available for the REC series in 1-5/8" only



Base
1" structure and panel on user side



Front
Choice of 5/8" Std or Hg color

Prices

Dimensions			RE	REC
A	B	C		
18	64	41	1325	1325
18	76	41	1429	1429
18	82	41	1476	1476

How to Order

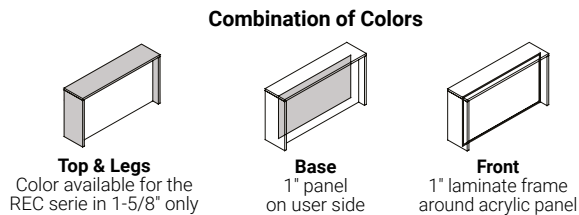
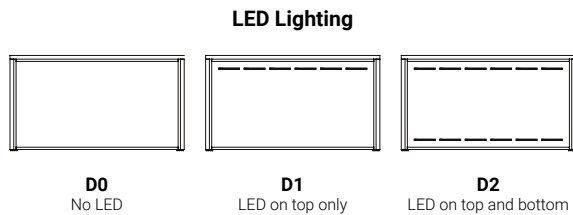
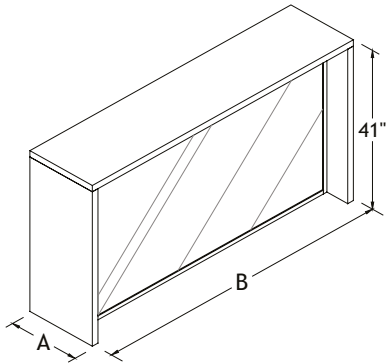
RE	ABC	MS-M	Combination of Colors <i>See the Logiflex Color Chart (p. 11)</i>		
series	dimensions	product	top & legs	base	front
REC	188241	MS-M	SW	W	W-H

Example REC 188241 MS-M SW W W-H

Reception Desks

M-Brace - Straight Reception Counter with Acrylic Front Panel

MS-A



How to Order

RE	ABC	MS-A	D0	Combination of Colors <i>See the Logiflex Color Chart (p. 11)</i>		
REC			D1	top & legs	base	front
			D2			
series	dimensions	product	LED			
Example REC	188241	MS-A	D2	SW	W	SW

Manufacturing Standards

- RE : 1" top and legs.
REC : 1-5/8" top and legs.
- 6" recessed translucent white acrylic front with laminate frame (interior and exterior);
- Removable front for access to the lighting.

For specification reasons:

- The reception desk RE is 1-5/8" less than the dimension listed.
- The reception desk REC is 3/8" less than the dimension listed.

Interior width for work desk:

- 60" work desk fits with a 64" reception counter;
- 72" work desk fits with a 76" reception counter;
- 78" work desk fits with a 82" reception counter.

LED option: Neutral white LED backlighting with a dimmer switch installed on the back of the counter, user side.

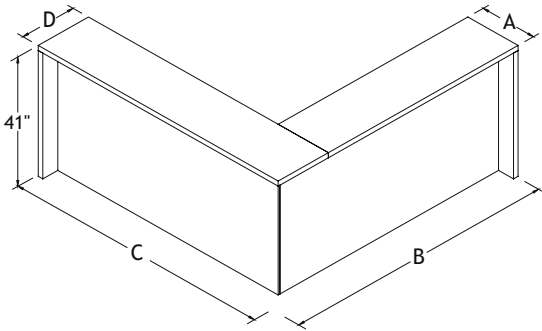
Prices

Dimensions						
A	B	C	RE (D0)	RE (D1)	RE (D2)	REC (D0)
18	64	41	2376	2579	2765	2376
18	76	41	2491	2697	2881	2491
18	82	41	2524	2728	2943	2524

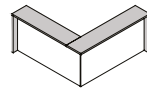
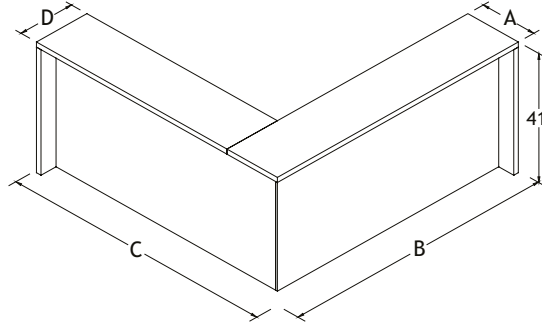
Reception Desks

M-Brace - Corner Reception Counter with Laminate Front Panel

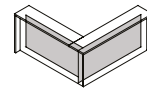
MC-M L



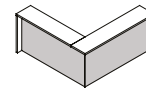
MC-M R



Top & Legs
Color available for the REC series in 1-5/8" only



Base
1" structure and panel on user side



Front
Choice of 5/8" Std or Hg color

Combination of Colors

How to Order

RE	REC	ABCD	41	MC-M	L	R	Combination of Colors <i>See the Logiflex Color Chart (p. 11)</i>			
series	dimensions	height	product	direction	top & legs	base	front			
REC	18868618	41	MC-M	R	SW	SW	W-H			

Example

Manufacturing Standards

- RE : 1" top and legs.
REC : 1-5/8" top and legs.
- 5-3/8" recessed laminate front (exterior);
- 6" recessed modesty panel (interior).

For specification reasons:

- The reception desk RE is 3/4" less than the dimension listed.
- The reception desk REC is 1/8" less than the dimension listed.

Interior width for work desk:

- 60"x 60" work desk fits with a 74"x 74" reception counter;
- 66"x 66" work desk fits with a 80"x 80" reception counter;
- 72"x 72" work desk fits with a 86"x 86" reception counter.

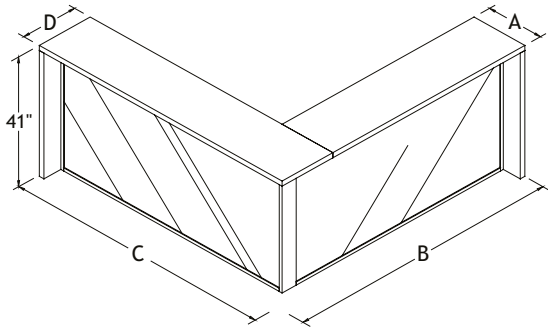
Prices

Dimensions				RE	REC
A	B	C	D		
18	74	74	18	2493	2493
18	80	80	18	2576	2576
18	86	86	18	2660	2660

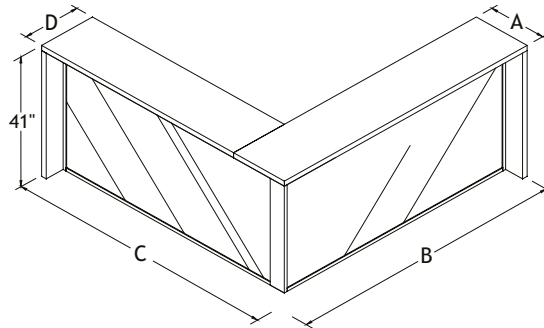
Reception Desks

M-Brace - Corner Reception Counter with Acrylic Front Panel

MC-A L



MC-A R

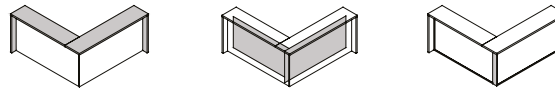


LED Lighting



D0 No LED
D1 LED on top only
D2 LED on top and bottom

Combination of Colors



Top & Legs
Color available for the REC series in 1-5/8" only
Base
1" panel on user side
Front
1" laminate frame around acrylic panel

Manufacturing Standards

- RE : 1" top and legs.
REC : 1-5/8" top and legs.
- 6" recessed translucent white acrylic front with laminate frame (interior and exterior);
- Removable fronts for access to the lighting.

For specification reasons:

- The reception desk RE is 3/4" less than the dimension listed.
- The reception desk REC is 1/8" less than the dimension listed.

Interior width for work desk:

- 60"x 60" work desk fits with a 74"x 74" reception counter;
- 66"x 66" work desk fits with a 80"x 80" reception counter;
- 72"x 72" work desk fits with a 86"x 86" reception counter.

LED option: Neutral white LED backlighting with a dimmer switch installed on the back of the counter, user side.

Prices

Dimensions									
A	B	C	RE (D0)	RE (D1)	RE (D2)	REC (D0)	REC (D1)	REC (D2)	
18	74	74	18	4470	4676	5149	4470	4676	5149
18	80	80	18	4550	4754	5256	4550	4754	5256
18	86	86	18	4631	4836	5365	4631	4836	5365

How to Order

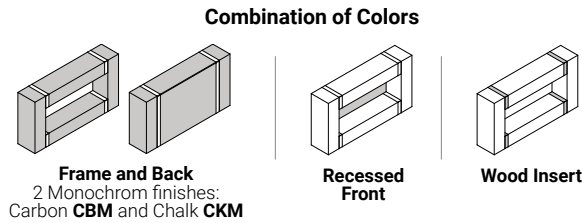
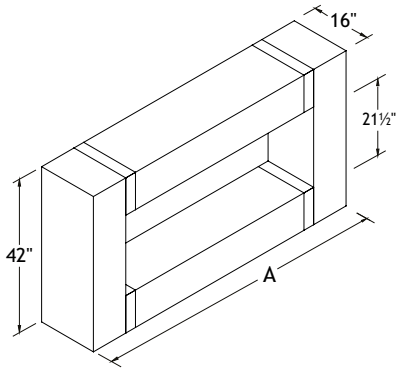
RE	REC	ABCD	41	MC-A	D0	D1	D2	L	R	Combination of Colors <i>See the Logiflex Color Chart (p. 11)</i>		
series	dimensions	height	product	LED	direction	top & legs	base	front				

Example REC 18868618 41 MC-A D2 R SW W SW

Reception Desks

Monochrom - Straight Reception Counter

MON



Manufacturing Standards

- Delivered disassembled;
- Monochrom straight reception counter with wood inserts;
- Monochrom anti-fingerprint, matte finish on frame and back;
- HPL recessed front 14-1/4";
- Removable back for installation;
- Height: 42"

***Note:** for stability purposes it is recommended that the 16" reception counter be attached to a desk.

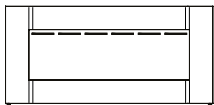
Recessed Front: HPL finishes according to the available colors from Logiflex, see [Appendix A](#). The Carbon **CBM**, Chalk **CKM** and Piazza cement **PIC** finishes can also be used.

Wood Insert: White Wash **WW**, Golden Wheat **GW**, Sand **SD**, Apricot **AT**, Pecan **PN**, Brandy **BR**, Chestnut **CT**, Coffee **CF**, Espresso **ES**, Bordeaux **BO**, Black Wash **BW** and Bark **BK**.

Desks and storage sold separately. This counter can accommodate a desk of the same width.

Options

LED Option



LED on top only

D1

\$585

Prices

Dimensions

A	
60	13 915
66	14 190
72	14 464
78	14 737

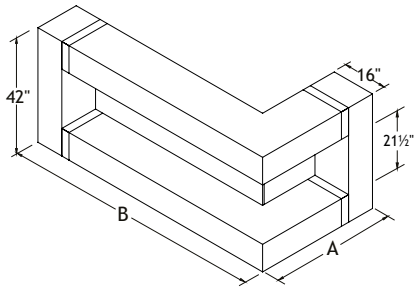
How to Order

			+		Combination of Colors <i>See the Logiflex Color Chart (p. 15)</i>		Finishes <i>See the Logiflex Color Guide</i>	
REM	A	MON	D1	CKM CBM	front color	wood insert		
series	dimension	product	Led	frame color				
Example REM	60	MON	D1	CBM	W	GW		

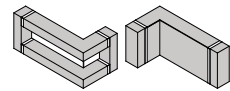
Reception Desks

Monochrom - Left L-Shaped Reception Counter

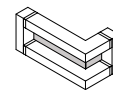
MONL



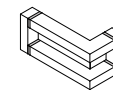
Combination of Colors



Frame and Back
2 Monochrom finishes:
Carbon **CBM** and Chalk **CKM**



Recessed Front



Wood Insert

Manufacturing Standards

- Delivered disassembled;
- Monochrom L-shaped reception counter with wood inserts;
- Monochrom anti-fingerprint, matt finish on frame and back;
- HPL recessed front 14-1/4";
- Removable backs for installation;
- Height: 42"

Recessed Front : HPL finishes according to the available colors from Logiflex, see [Appendix A](#). The Carbon **CBM**, Chalk **CKM** and Piazza cement **PIC** finishes can also be used.

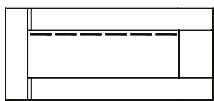
Wood Insert : White Wash **WW**, Golden Wheat **GW**, Sand **SD**, Apricot **AT**, Pecan **PN**, Brandy **BR**, Chestnut **CT**, Coffee **CF**, Espresso **ES**, Bordeaux **BO**, Black Wash **BW** and Bark **BK**.

Suggested model for a linear desk configuration.

Desks and storage sold separately. For more information, see [Appendix F](#).

Options

LED Option



LED on top only

D1
\$831

How to Order

			+		Combination of Colors <i>See the Logiflex Color Chart (p. 15)</i>		Finishes <i>See the Logiflex Color Guide</i>		
REM	AB	MONL	D1	CKM CBM	front color	wood insert			
series	dimensions	product	Led	frame color					
Example	REM	4076	MONL	D1	CBM	W	GW		

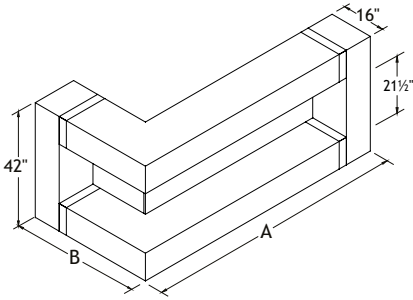
Prices

Dimensions		A	B
40	76	21	057
46	76	21	329
40	82	21	604
46	82	21	876
40	88	22	152
46	88	22	426
40	94	22	699
46	94	22	972

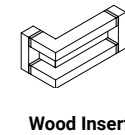
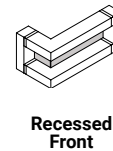
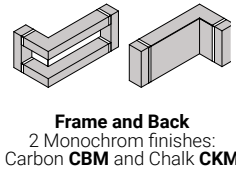
Reception Desks

Monochrom - Right L-Shaped Reception Counter

MONR



Combination of Colors



Manufacturing Standards

- Delivered disassembled;
- Monochrom L-shaped reception counter with wood inserts;
- Monochrom anti-fingerprint, matt finish on frame and back;
- HPL recessed front 14-1/4";
- Removable backs for installation;
- Height: 42"

Recessed Front : HPL finishes according to the available colors from Logiflex, see [Appendix A](#). The Carbon **CBM**, Chalk **CKM** and Piazza cement **PIC** finishes can also be used.

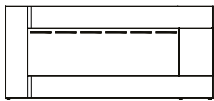
Wood Insert : White Wash **WW**, Golden Wheat **GW**, Sand **SD**, Apricot **AT**, Pecan **PN**, Brandy **BR**, Chestnut **CT**, Coffee **CF**, Espresso **ES**, Bordeaux **BO**, Black Wash **BW** and Bark **BK**.

Suggested model for a linear desk configuration.

Desks and storage sold separately. For more information, see [Appendix F](#).

Options

LED Option



LED on top only

D1

\$831

How to Order

			+		Combination of Colors <i>See the Logiflex Color Chart (p. 15)</i>		Finishes <i>See the Logiflex Color Guide</i>		
REM	AB	MONR	D1	CKM CBM	front color	wood insert			
series	dimensions	product	Led	frame color					
Example	REM	7640	MONR	D1	CBM	W	GW		

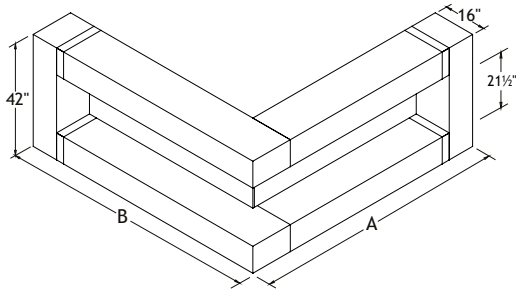
Prices

Dimensions	
A	B
76 40	21 057
76 46	21 329
82 40	21 604
82 46	21 876
88 40	22 152
88 46	22 426
94 40	22 699
94 46	22 972

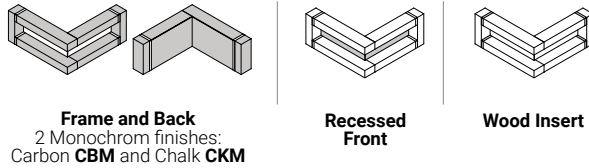
Reception Desks

Monochrom - Left L-Shaped Reception Counter

MONL



Combination of Colors



Manufacturing Standards

- Delivered disassembled;
- Monochrom L-shaped reception counter with wood inserts;
- Monochrom anti-fingerprint, matt finish on frame and back;
- HPL recessed front 14-1/4";
- Removable backs for installation;
- Height: 42"

Recessed Front : HPL finishes according to the available colors from Logiflex, see [Appendix A](#). The Carbon **CBM**, Chalk **CKM** and Piazza cement **PIC** finishes can also be used.

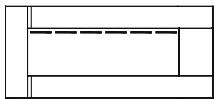
Wood Insert : White Wash **WW**, Golden Wheat **GW**, Sand **SD**, Apricot **AT**, Pecan **PN**, Brandy **BR**, Chestnut **CT**, Coffee **CF**, Espresso **ES**, Bordeaux **BO**, Black Wash **BW** and Bark **BK**.

Suggested model for "L" configuration.

Desks and storage sold separately. For more information, see [Appendix F](#).

Options

LED Option



LED on top only

D1

\$1 026

How to Order

AB		D1		Combination of Colors		
REM	MONL	CKM	CBM	See the Logiflex Color Chart (p. 15)	Finishes See the Logiflex Color Guide	
series	dimensions	product	Led	frame color	front color	wood insert
Example	REM 7076	MONL	D1	CBM	W	GW

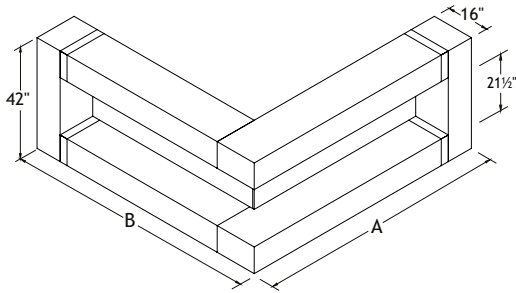
Prices

Dimensions	
A	B
70 76	20 900
76 76	21 244
70 82	21 586
76 82	21 928
82 82	22 270
70 88	22 612
76 88	22 954
82 88	23 296
88 88	23 638
70 94	23 977
76 94	24 320
82 94	24 662
88 94	25 003
94 94	25 346

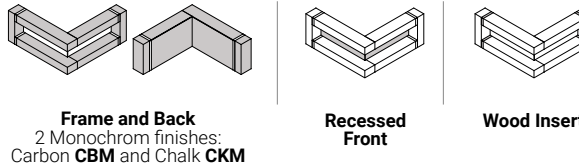
Reception Desks

Monochrom - Right L-Shaped Reception Counter

MONR



Combination of Colors



Manufacturing Standards

- Delivered disassembled;
- Monochrom L-shaped reception counter with wood inserts;
- Monochrom anti-fingerprint, matt finish on frame and back;
- HPL recessed front 14-1/4";
- Removable backs for installation;
- Height: 42"

Recessed Front : HPL finishes according to the available colors from Logiflex, see [Appendix A](#). The Carbon **CBM**, Chalk **CKM** and Piazza cement **PIC** finishes can also be used.

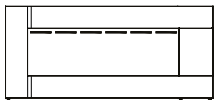
Wood Insert : White Wash **WW**, Golden Wheat **GW**, Sand **SD**, Apricot **AT**, Pecan **PN**, Brandy **BR**, Chestnut **CT**, Coffee **CF**, Espresso **ES**, Bordeaux **BO**, Black Wash **BW** and Bark **BK**.

Suggested model for "L" configuration.

Desks and storage sold separately. For more information, see [Appendix F](#).

Options

LED Option



LED on top only

D1

\$1 026

How to Order

AB		D1		Combination of Colors		
REM	MONR	CKM	CBM	Finishes		
series	dimensions	product	Led	frame color	front color	
Example	REM 7670	MONR	D1	CBM	W	GW

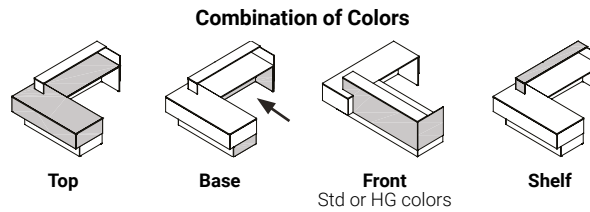
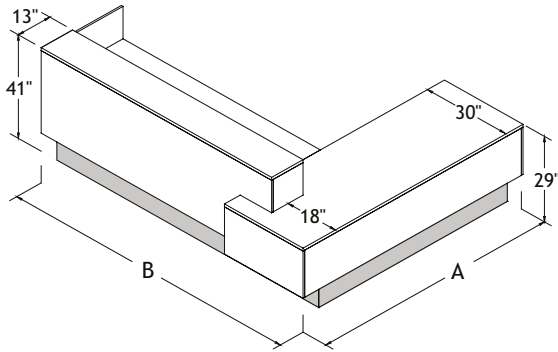
Prices

Dimensions	
A	B
76 70	20 900
76 76	21 244
82 70	21 586
82 76	21 928
82 82	22 270
88 70	22 612
88 76	22 954
88 82	23 296
88 88	23 638
94 70	23 977
94 76	24 320
94 82	24 662
94 88	25 003
94 94	25 346

Reception Desks

Inbox - Left L-Shaped Counter

INBL L



Manufacturing Standards

- Delivered disassembled;
- 1" tops;
- Metallic high pressure laminate kick plate;
- 2 CCPF grommets on the main work surface.

Pedestal: To add a pedestal, see Pedestals for Inbox Collection starting at [page 36](#).

LED option: Neutral white LED strips illuminating the kick plate, with a dimmer switch installed on the desk top.

Options

Grommet Position

Grommet Style

\$0 \$0

LED Option

DEL
\$697

Prices

Dimensions		Std
A	B	
72	82	5165
72	88	5213
72	94	5260
72	100	5308
78	82	5213
78	88	5260
78	94	5308
78	100	5352
84	82	5260
84	88	5307
84	94	5352
84	100	5400

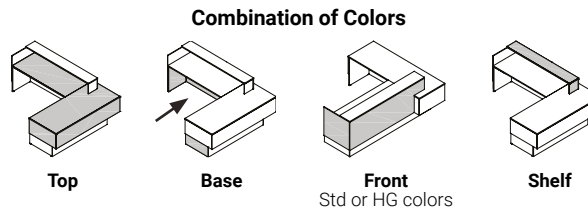
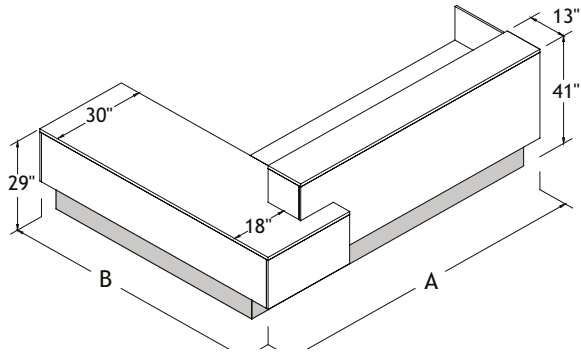
How to Order

AB		INBL L		Grommet Position		Grommet Style		Combination of Colors			
RE	AB	INBL	L	GLR (std)	CCPF (std)	LED	top	base	front	shelf	
series	dimensions	product	direction	grommet position	grommet style	LED					
Example	RE	84100	INBL	L	GLR	CCPF		LL	W	W	W

Reception Desks

Inbox - Right L-Shaped Counter

INBL R



Manufacturing Standards

- Delivered disassembled;
- 1" tops;
- Metallic high pressure laminate kick plate;
- 2 CCPF grommets on the main work surface.

Pedestal: To add a pedestal, see Pedestals for Inbox Collection starting at [page 36](#).

LED option: Neutral white LED strips illuminating the kick plate, with a dimmer switch installed on the desk top.

Options

Grommet Position

Grommet Style

\$0 \$0

LED Option

DEL
\$697

Prices

Dimensions		Std
A	B	
82	72	5165
88	72	5213
94	72	5260
100	72	5308
82	78	5213
88	78	5260
94	78	5308
100	78	5352
82	84	5260
88	84	5307
94	84	5352
100	84	5400

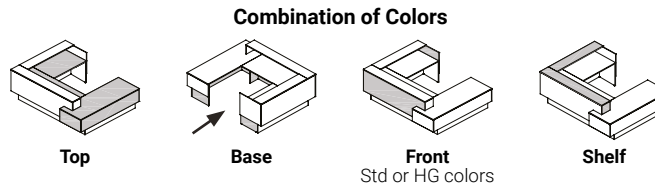
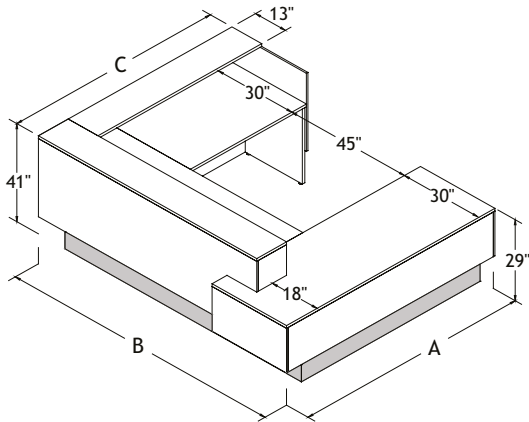
How to Order

				NGR GRL GRR GLR (std)	ELPF CAPF CBPF CDPF CCPF (std)		Combination of Colors See the Logiflex Color Chart (p. 11)				
	AB										
RE		INBL	R								
series	dimensions	product	direction	grommet position	grommet style	LED	top	base	front	shelf	
Example RE	10084	INBL	R	GLR	CCPF		LL	W	W	W	

Reception Desks

Inbox - Left U-Shaped Counter

INBU L



Manufacturing Standards

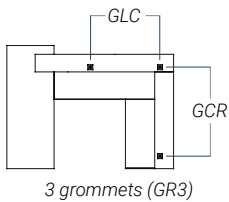
- Delivered disassembled;
- 1" tops;
- Metallic high pressure laminate kick plate;
- 3 CCPF grommets.

Pedestal: To add a pedestal, see Pedestals for Inbox Collection starting at [page 36](#).

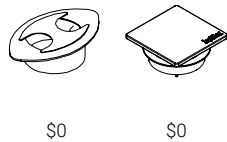
LED option: Neutral white LED strips illuminating the kick plate, with a dimmer switch installed on the desk top.

Options

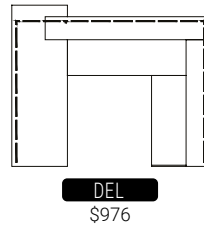
Grommet Position



Grommet Style



LED Option



Prices

Dimensions			
A	B	C	Std
72	106	66	7068
84	106	78	7254

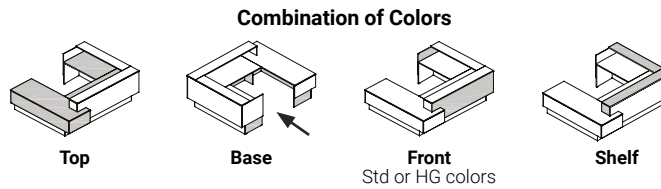
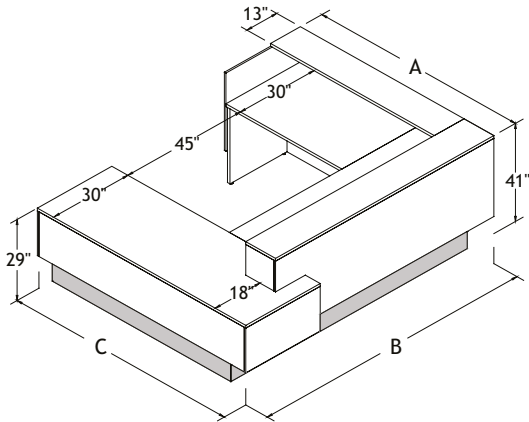
How to Order

ABC				NGR GCR GLC GR3 (std)			ELPF CAPF CBPF CDPF CCPF (std)		Combination of Colors See the Logiflex Color Chart (p. 11)				
RE		INBU	L										
series	dimensions	product	direction	grommet position	grommet style	LED	top	base	front	shelf			
Example	RE	8410678	INBU	L	GR3	CCPF		LL	W	W	W		

Reception Desks

Inbox - Right U-Shaped Counter

INBU R



Manufacturing Standards

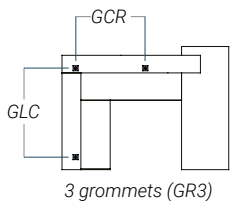
- Delivered disassembled;
- 1" tops;
- Metallic high pressure laminate kick plate;
- 3 CCPF grommets.

Pedestal: To add a pedestal, see *Pedestals for Inbox Collection* starting at [page 36](#).

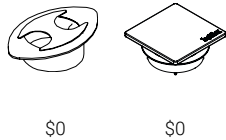
LED option: Neutral white LED strips illuminating the kick plate, with a dimmer switch installed on the desk top.

Options

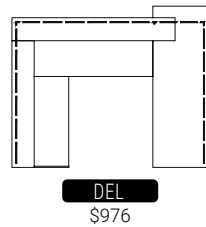
Grommet Position



Grommet Style



LED Option



Prices

Dimensions			
A	B	C	Std
66	106	72	7068
78	106	84	7254

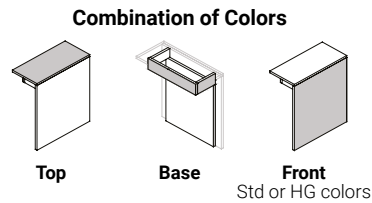
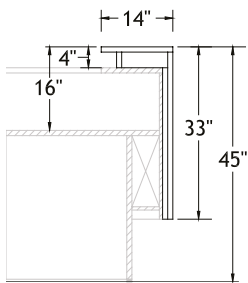
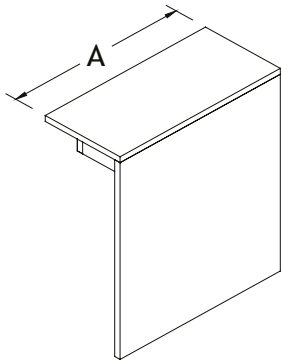
How to Order

ABC			GR3 (std) CCPF (std)			Combination of Colors <i>See the Logiflex Color Chart (p. 11)</i>					
RE	INBU	R	NGR GCR GLC	ELPF CAPF CBPF CDPF		top	base	front	shelf		
series	dimensions	product	direction	grommet position	grommet style	LED					
Example	RE	7810684	INBU	R	GR3	CCPF		LL	W	W	W

Reception Desks

Inbox - Transaction Shelf

INBS



Manufacturing Standards

- Made of laminate, to be attached to an Inbox reception counter;
- 1" transaction shelf comes in 2 pieces, available in:
 - Laminate (**M**)
 - Stained wood (**W**)

Wood finishes: Available colors: White Wash **WW**, Golden Wheat **GW**, Sand **SD**, Apricot **AT**, Pecan **PN**, Brandy **BR**, Chestnut **CT**, Coffee **CF**, Espresso **ES**, Bordeaux **BO**, Black Wash **BW** and Bark **BK**.

Prices

Dimensions	Front Finish
A Code	Std
30 INBS M	987
30 INBS W	1584

How to Order

Combination of Colors
See the Logiflex Color Chart (p. 11)

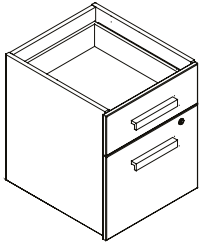
RE	A	INBS	M W			
series	dimensions	product	finish	top	base	front

Example RE 30 INBS M W LL W

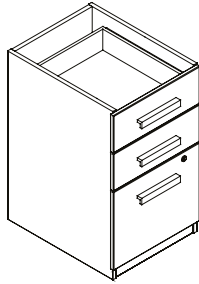
Reception Desks

Inbox - D, E and F Pedestals for Inbox Collection

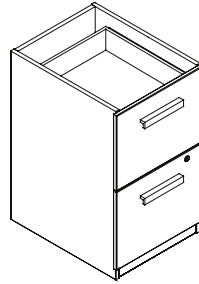
D



E



F



Manufacturing Standards

- Pedestals without tops for Inbox;
- H052 CHR handle;
- D = 1 utility drawer and 1 file drawer;
- E = 2 utility drawers and 1 file drawer;
- F = 2 file drawers;
- Lock.

Width : Letter size - 15-3/4"

Width : Legal size - 18-3/4"

For installation by client on existing furniture.

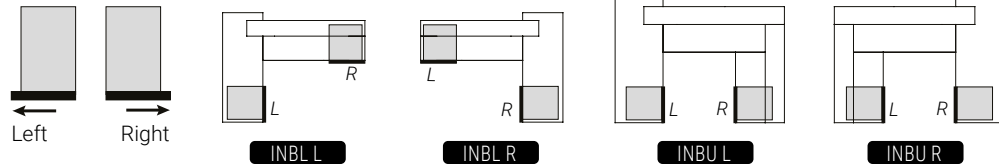
Handles: For handles other than H052CHR standard, please choose from the Logiflex list at no extra charge.

Note: The above illustrations represents the left overlapping drawer front.

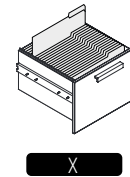
Options

Drawer Direction

It is important to specify the drawer direction as the drawer front is offset and overlaps the leg on the side.
Ex: the left drawer front overlaps the left leg.



Legal Size



Prices

Code	Std
INBOXD	740
INBOXDX	834

INBOXE	957
INBOXEX	1057

INBOXF	957
INBOXFX	1057

How to Order

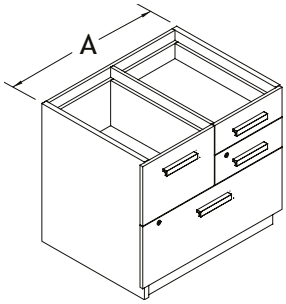
RE	INBOX	D E F	L R	X
series	code	code	direction	legal size

Example RE INBOX D L X

Reception Desks

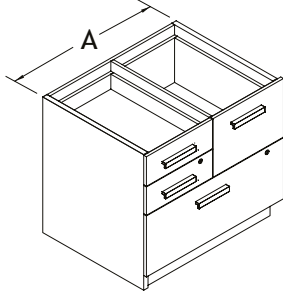
Inbox - Combination Pedestals for Inbox Collection

CBCL-L



The above illustrations represents the left overlapping drawer front.

BCCL-R



The above illustrations represents the right overlapping drawer front.

Manufacturing Standards

- Pedestals without tops for Inbox;
- 2 utility drawers, 1 filing drawer and 1 lateral filing drawer;
- H052 CHR handles;
- Crossbars;
- Locks.

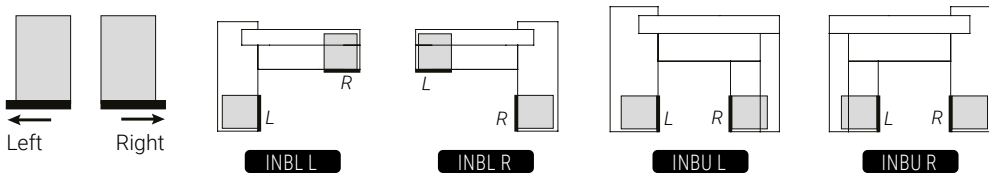
For installation by client on existing furniture.

Handles: For handles other than H052CHR standard, please choose from the Logiflex list at no extra charge.

Options

Drawer Direction

It is important to specify the drawer direction as the drawer front is offset and overlaps the leg on the side.
Ex: the left drawer front overlaps the left leg.



Prices

Width	
A	Std
30	1505
36	1598

How to Order

		CBCL	30	L
		BCCL	36	R
RE	INBOX			
series	code	code	width	direction

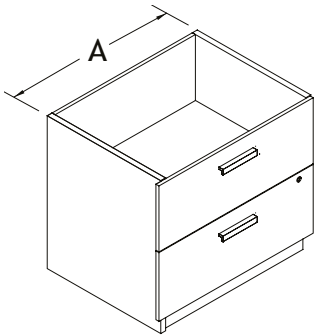
Example RE INBOX BCCL 36 R

Reception Desks



Inbox - Two Drawer Lateral Filing Cabinet for Inbox Collection

CL



Note: The above illustrations represents the left overlapping drawer front.

Manufacturing Standards

- Pedestals without tops for Inbox;
- 2 lateral filing drawers;
- H052 CHR handles;
- Crossbars;
- Lock.

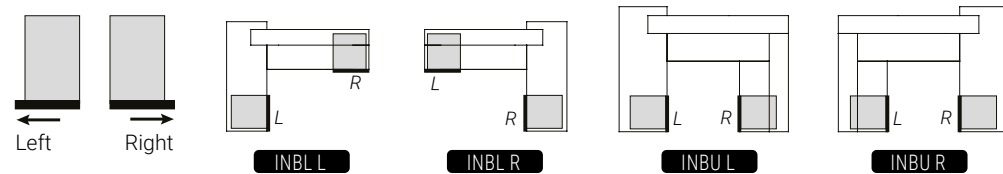
For installation by client on existing furniture.

Handles: For handles other than H052CHR standard, please choose from the Logiflex list at no extra charge.

Options

Drawer Direction

It is important to specify the drawer direction as the drawer front is offset and overlaps the leg on the side.
Ex: the left drawer front overlaps the left leg.



Prices

Width	
A	Std
30	1114
36	1210
42	1304

How to Order

			30 36 42	L R
RE	INBOX	CL		
series	code	code	width	direction

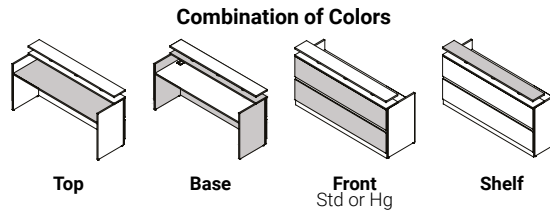
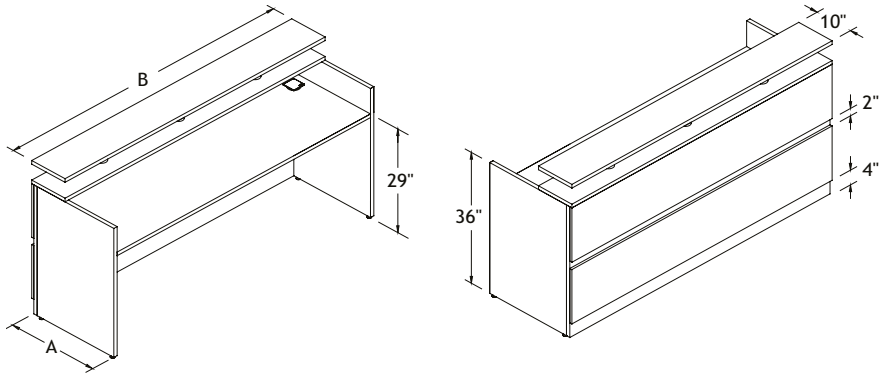
Example RE INBOX CL 36 L

Reception Desks



Reception 3K - Reception Desk with One Full Length Transaction Shelf

3K1



Manufacturing Standards

- 1" tops;
- 2 CCPF grommets;
- Full modesty panel;
- 2 front panels 5/8" thick;
- Strip of brushed aluminum high pressure laminate on the kick plate and between the front panels;
- Shelf brackets are 1.75" in diameter, 4-3/8" high and have a Satin Nickel finish.

***Note:** for stability purposes the 24" 3K1 and 3K2 reception desks must be attached to either a pedestal or a return.

Options

Grommet Position	Grommet Style	Installed Pedestals
	<p>\$0 \$28 ea.</p>	<p>Specify installed pedestals, starting on p. 73</p>

Prices

Dimensions	
A B	Std
* 24 66	3007
* 24 72	3283
* 24 78	3561
* 24 84	3833
* 24 96	4376
<hr/>	
30 66	3066
30 72	3344
30 78	3631
30 84	3910
30 96	4464

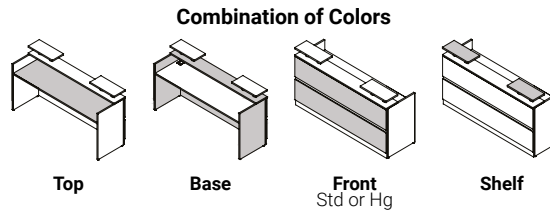
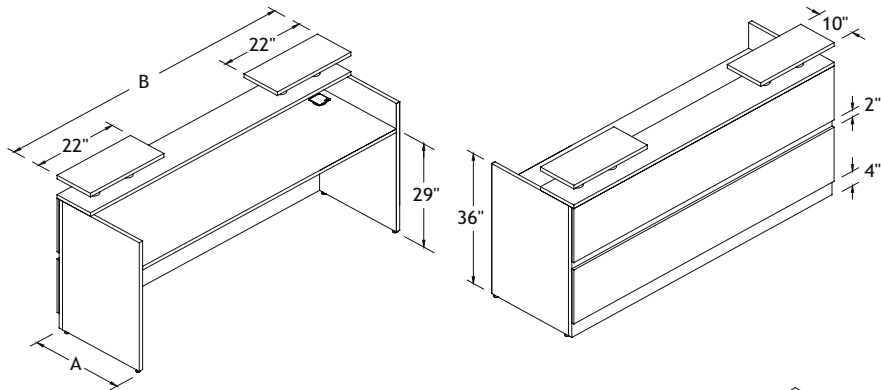
How to Order

				NGR GRL GRR GRC GLR (std)			ELPF CAPF CBPF CDPF CCPF (std)			L29 R29 RET3KL RET3KR +			Combination of Colors See the Logiflex Color Chart (p. 11)			
option (\$)	AB	option (\$)														
RE				3K1												
series	pedestal on left	dimensions	pedestal on right	product	grommet position	grommet style	reception return	top	base	front	shelf					
Example	RE	E	2466		3K1	GLR	CCPF		W	SW	SW	W				

Reception Desks

Reception 3K - Reception Desk with Two Transaction Shelves

3K2



Manufacturing Standards

- 1" tops;
- 2 CCPF grommets;
- Full modesty panel;
- 2 front panels 5/8" thick;
- Strip of brushed aluminum high pressure laminate on the kick plate and between the front panels;
- Shelf brackets are 1.75" in diameter, 4-3/8" high and have a Satin Nickel finish.

***Note:** for stability purposes the 24" 3K1 and 3K2 reception desks must be attached to either a pedestal or a return.

Options

Grommet Position	Grommet Style	Installed Pedestals
	<p>\$0 \$28 ea.</p>	<p>Specify installed pedestals, starting on p. 73</p>

Prices

Dimensions	
A B	Std
* 24 66	3007
* 24 72	3283
* 24 78	3561
* 24 84	3833
* 24 96	4376
<hr/>	
30 66	3066
30 72	3344
30 78	3631
30 84	3910
30 96	4464

How to Order

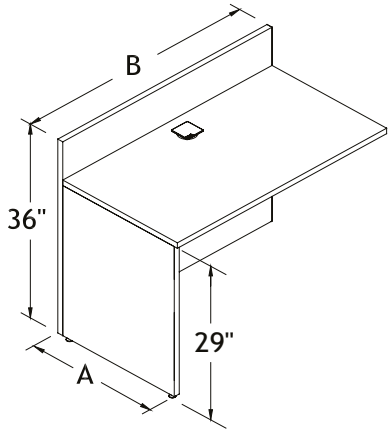
option (\$)	AB	option (\$)	NGR GRL GRR GRC GLR (std)	ELPF CAPF CBPF CDPF CCPF (std)	L29 R29 RET3KL RET3KR RET3KR	Combination of Colors <i>See the Logiflex Color Chart (p. 11)</i>					
RE			3K2			top	base	front	shelf		
series	pedestal on left	dimensions	pedestal on right	product	grommet position	grommet style	reception return				
Example RE	E	2466		3K2	GLR	CCPF		W	SW	SW	W

Reception Desks

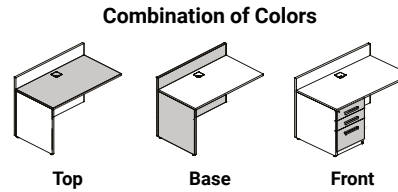
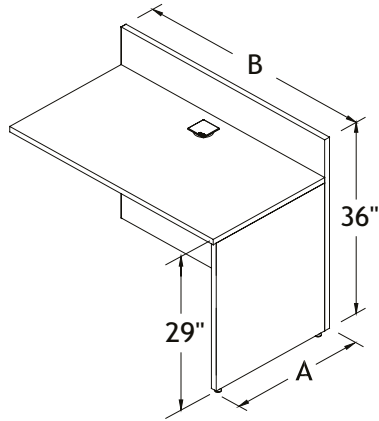


Reception 3K - Return

RET 3K L



RET 3K R

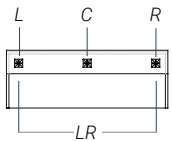


Manufacturing Standards

- 1" tops;
- Centred CCPF grommet;
- Full modesty panel.

Options

Grommet Position

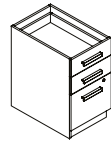


Grommet Style



\$0 \$28 ea.

Installed Pedestals



Specify installed pedestals, starting on p. 73

Prices

Dimensions

A	B
24 30	752
24 36	785
24 42	824
24 48	863

How to Order

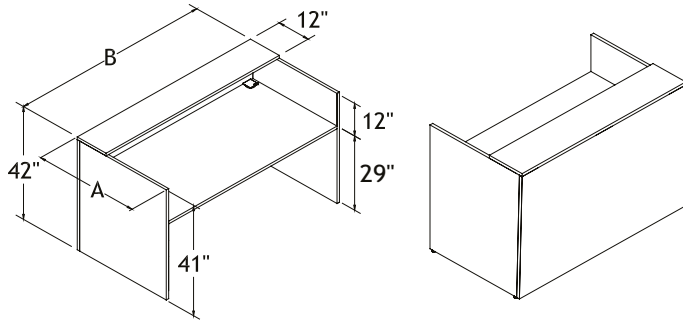
RE	AB	option (\$)	RET 3K	L R	NGR GRL GRR GLR GRC (std)	ELPF (+) CAPF CBPF CDPF CCPF (std)	Combination of Colors <i>See the Logiflex Color Chart (p. 11)</i>		
series	dimensions	pedestal	product	direction	grommet position	grommet style	top	base	front
Example RE	2442	E	RET 3K	L	GRC	CCPF	SW	SW	W

Reception Desks



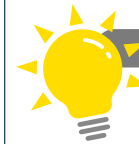
Gallery - Rectangular Reception Desk with Shelf

GA



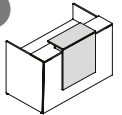
Manufacturing Standards

- Rectangular reception desk;
- 42"H transaction shelf;
- CCPF grommets on left and right.

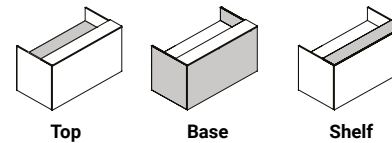


Tips & Tricks

You can add an INBS transaction shelf from the Inbox collection to your Gallery rectangular reception desk.

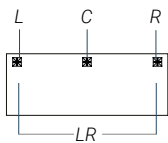


Combination of Colors



Options

Grommet Position

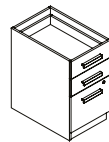


Grommet Style



\$0 \$28 ea.

Installed Pedestals



Specify installed pedestals, starting on p. 73

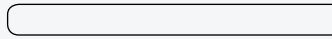
Prices

Dimensions	RE	REL	REC	RECL
A B	1"	1-1/16"	1-5/8"	1-9/16"
30 60	1403	1889	1718	2167
30 66	1417	1939	1764	2243
30 72	1483	2049	1861	2379
30 78	1551	2156	1960	2516
30 84	1686	2338	2126	2728
36 60	1427	1951	1774	2285
36 66	1469	2072	1883	2440
36 72	1531	2182	1983	2580
36 78	1594	2295	2088	2728
36 84	1721	2474	2250	2943

How to Order

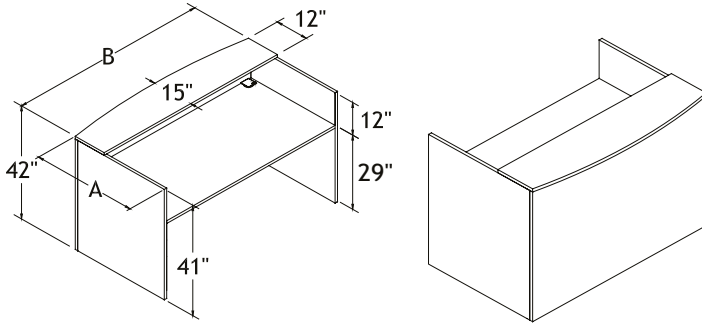
RE	REL	REC	RECL	option (\$)	AB	option (\$)	GA	NGR	ELPF	L29	Combination of Colors
series	pedestal on left	dimensions	pedestal on right	product	grommet position	grommet style	reception return	top	base	shelf	
RE	E	3660		GA	GLR (std)	CCPF (std)		Z	Z	W	

Reception Desks



Gallery - Rectangular Reception Desk with Convex Shelf

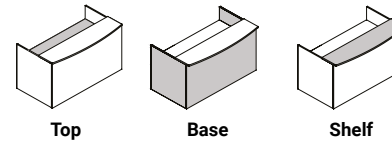
GACX



Manufacturing Standards

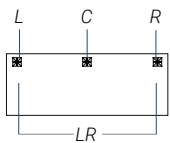
- Rectangular reception desk;
- 42"H transaction shelf;
- CCPF grommets on left and right.

Combination of Colors



Options

Grommet Position

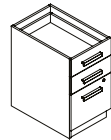


Grommet Style



\$0 \$28 ea.

Installed Pedestals



Specify installed pedestals, starting on p. 73

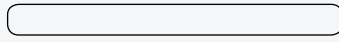
Prices

Dimensions	RE	REL	REC	RECL
A B	1"	1-1/16"	1-5/8"	1-9/16"
30 60	1577	2048	1860	2323
30 66	1643	2187	1985	2567
30 72	1708	2295	2088	2628
30 78	1777	2405	2187	2766
30 84	1913	2590	2355	2980
36 60	1620	2201	2001	2531
36 66	1688	2314	2105	2683
36 72	1754	2428	2208	2829
36 78	1822	2544	2312	2980
36 84	1955	2732	2483	3197

How to Order

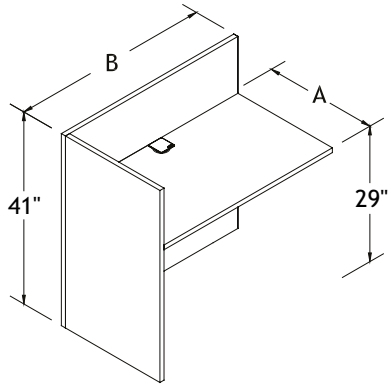
RE	REL	REC	RECL	option (\$)	AB	option (\$)	NGR	ELPF	L29	Combination of Colors <i>See the Logiflex Color Chart (p. 11)</i>
series	pedestal on left	dimensions	pedestal on right	product	grommet position	grommet style	reception return	top	base	
RE	E	3660		GACX	GLR (std)	CCPF (std)				Z Z W

Reception Desks

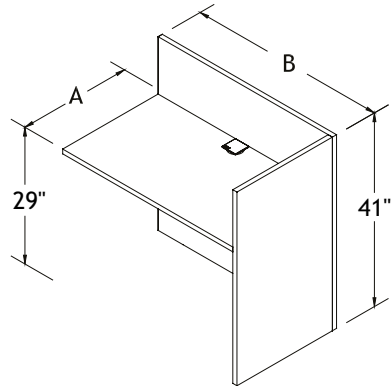


Gallery - Reception Return

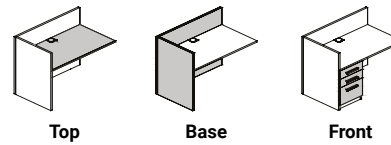
GAL



GAR



Combination of Colors

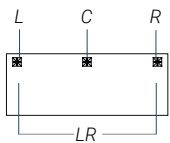


Manufacturing Standards

- Reception return;
- CCPF centered grommet.

Options

Grommet Position

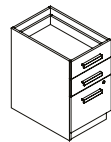


Grommet Style



\$0 \$28 ea.

Installed Pedestals



Specify installed pedestals, starting on p. 73

Prices

Dimensions	RE	REL	REC	RECL
A B	1"	1-1/16"	1-5/8"	1-9/16"
20 36	810	1031	938	1124
20 42	882	1129	1028	1234
20 48	945	1222	1112	1345
20 54	1015	1326	1206	1491
20 60	1080	1419	1291	1574
24 36	834	1079	982	1191
24 42	901	1185	1076	1339
24 48	969	1289	1171	1434
24 54	1034	1391	1263	1552
24 60	1102	1491	1354	1674

How to Order

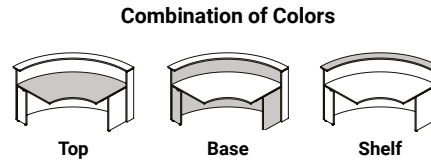
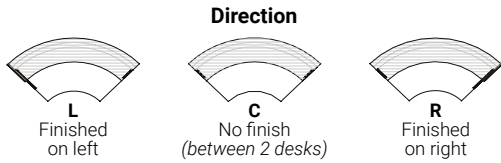
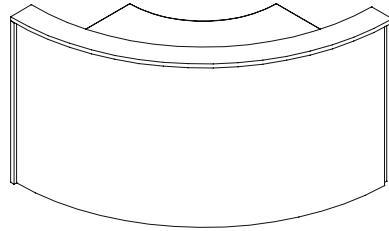
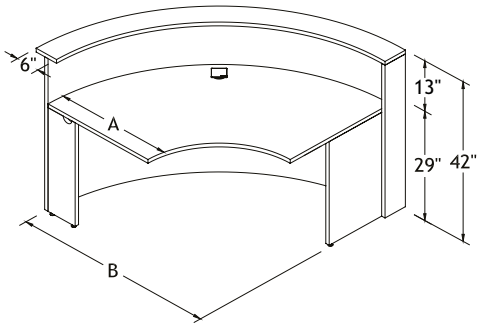
RE REL REC RECL	AB	option (\$)	GAR GAL	NGR GLR GRR GRL GRC (std)	ELPF (+) CAPF CBPF CDPF CCPF (std)	Combination of Colors <i>See the Logiflex Color Chart (p. 11)</i>		
series	dimensions	pedestal	product	grommet position	grommet style	top	base	front
Example RE	2460	E	GAL	GRC	CCPF	Z	Z	W

Reception Desks



Spheric - Quarter-Moon Reception Desk with Finishing Shelf

SPH F



Manufacturing Standards

- 1" top;
- Curved front panels made of high pressure laminate (HPL);
- Centered CCPF grommet;
- 3" aluminum finishing filler when there are 2 adjoining desks.

Options

Grommet Position	Grommet Style
	<p>\$0 \$28 ea.</p>

Prices

Dimensions	
A	B
24 46	4152
30 54	4572

How to Order

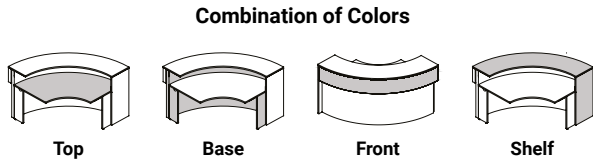
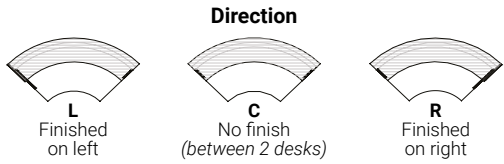
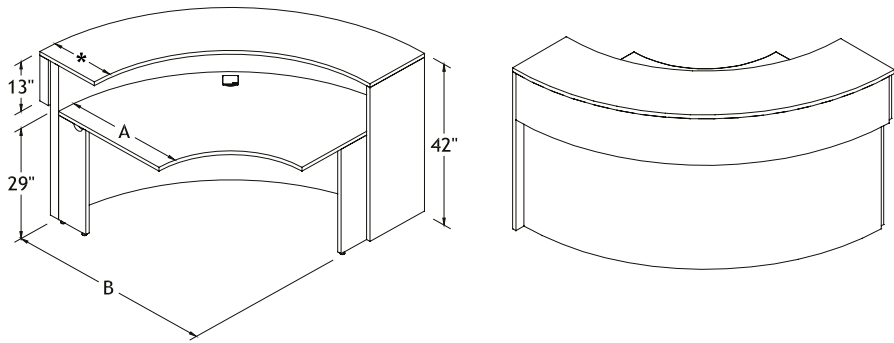
RE	AB	SPH F	L C R	NGR GLR GRR GRL GRC (std)	ELPF (+) CAPF CBPF CDPF CCPF (std)	Combination of Colors <i>See the Logiflex Color Chart (p. 11)</i>		
series	dimensions	product	direction	grommet position	grommet style	top	base	shelf
Example RE	2446	SPH F	L	GRC	CCPF	LL	W	LL

Reception Desks



Spheric - Quarter-Moon Reception Desk with Transaction Shelf

SPH T



Manufacturing Standards

- 1" top;
- Curved front panels made of high pressure laminate (HPL);
- Centered CCPF grommet;
- 3" aluminum finishing filler when there are 2 adjoining desks.

***Transaction Tops:**
 For 24" tops, the transaction shelf is 12";
 For 30" tops, the transaction shelf is 16".

Options

Grommet Position **Grommet Style**

\$0 \$28 ea.

Prices

Dimensions	
A	B
24 46	5303
30 54	6118

How to Order

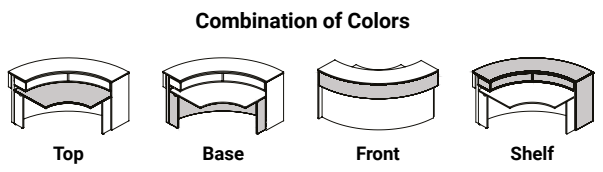
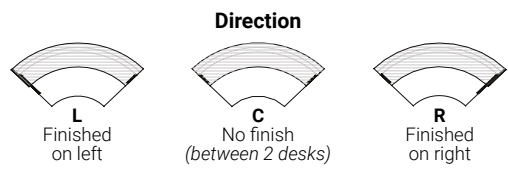
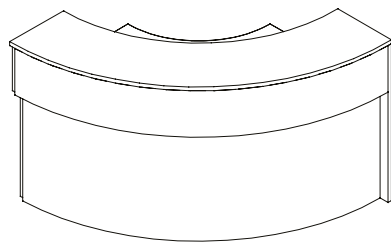
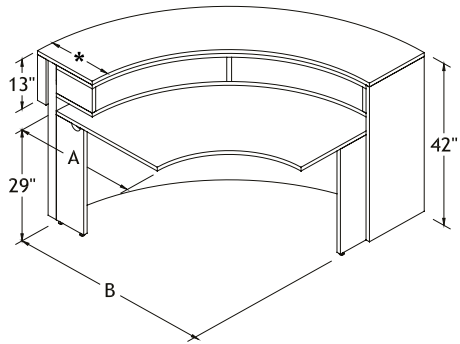
RE	AB	SPH T	L C R	NGR GLR GRR GRL GRC (std)	ELPF (+) CAPF CBPF CDPF CCPF (std)	Combination of Colors <i>See the Logiflex Color Chart (p. 11)</i>			
series	dimensions	product	direction	grommet position	grommet style	top	base	front	shelf
Example RE	2446	SPH T	L	GRC	CCPF	LL	W	W	LL

Reception Desks



Spheric - Quarter-Moon Reception Desk with Transaction Shelf and Pigeonhole Unit

SPH P



Manufacturing Standards

- 1" top;
- Curved front panels made of high pressure laminate (HPL);
- Centered CCPF grommet;
- 3" aluminum finishing filler when there are 2 adjoining desks.

***Transaction Tops:**
For 24" tops, the transaction shelf is 12";
For 30" tops, the transaction shelf is 16".

Options

Grommet Position **Grommet Style**

\$0 \$28 ea.

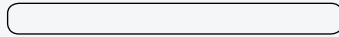
Prices

Dimensions	
A	B
24 46	6743
30 54	7220

How to Order

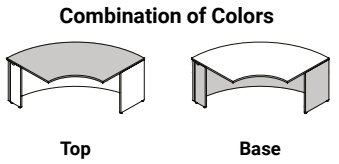
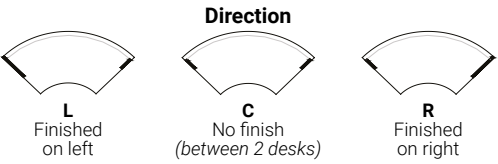
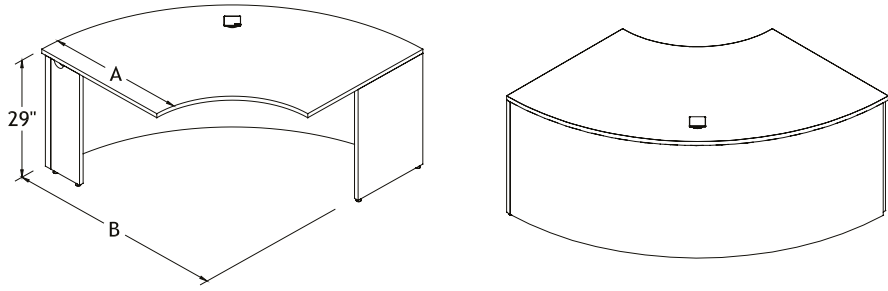
	AB		L C R	NGR GLR GRR GRL GRC (std)	ELPF (+) CAPF CBPF CDPF CCPF (std)	Combination of Colors <i>See the Logiflex Color Chart (p. 11)</i>				
RE		SPH P								
series	dimensions	product	direction	grommet position	grommet style	top	base	front	shelf	
Example RE	2446	SPH P	L	GRC	CCPF	LL	W	W	LL	

Reception Desks



Spheric - Quarter-Moon Consulting Desk

SPH C



Manufacturing Standards

- 1" top;
- Curved front panels made of high pressure laminate (HPL);
- Centered CCPF grommet;
- 3" aluminum finishing filler when there are 2 adjoining desks.

Fits with Spherical reception desks:

- 27" consulting desk fits with a 24" reception desk;
- 33" consulting desk fits with a 30" reception desk.

Options

Grommet Position		Grommet Style	
L	C	R	LR
		\$0	\$28 ea.

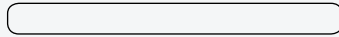
Prices

Dimensions	
A	B
27 46	3696
33 54	3919

How to Order

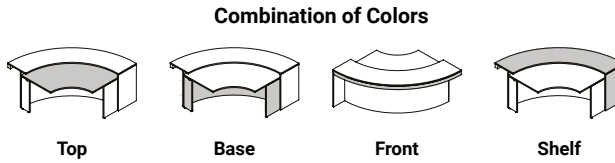
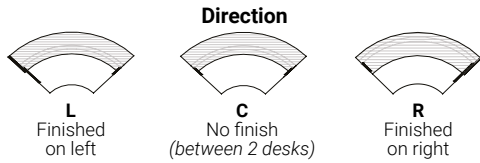
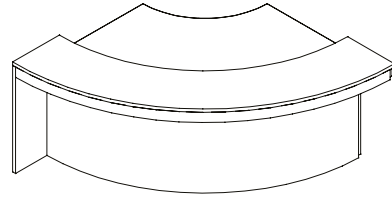
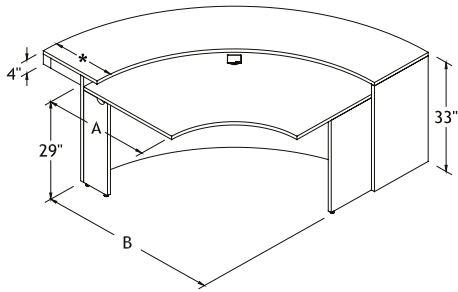
RE	AB	SPH C	L C R	NGR GLR GRR GRL GRC (std)	ELPF (+) CAPF CBPF CDPF CCPF (std)	Combination of Colors <i>See the Logiflex Color Chart (p. 11)</i>	
series	dimensions	product	direction	grommet position	grommet style	top	base
Example RE	2746	SPH C	L	GRC	CCPF	LL	W

Reception Desks



Spheric - Quarter-Moon Accessible Reception Desk

SPH A



Manufacturing Standards

- 1" top;
- Curved front panels made of high pressure laminate (HPL);
- Centered CCPF grommet;
- 3" aluminum finishing filler when there are 2 adjoining desks.

***Transaction Tops:**
For 24" or 30" tops, the transaction shelf is 16".

Options

Grommet Position

Grommet Style

\$0 \$28 ea.

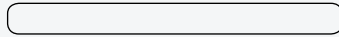
Prices

Dimensions	
A	B
24 46	5606
30 54	5832

How to Order

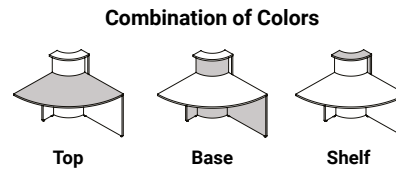
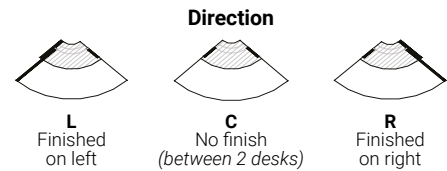
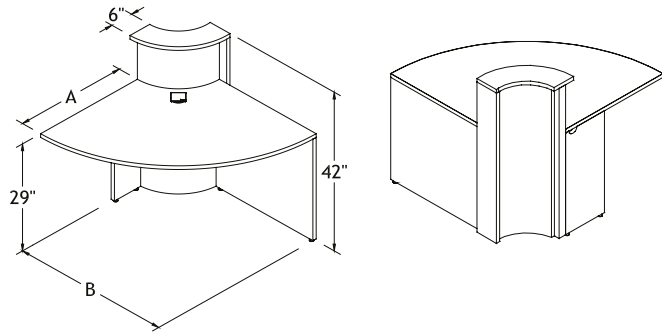
RE	AB	SPH A	L C R	NGR GLR GRR GRLL GRC (std)	ELPF (+) CAPF CBPF CDPF CCPF (std)	Combination of Colors <i>See the Logiflex Color Chart (p. 11)</i>			
series	dimensions	product	direction	grommet position	grommet style	top	base	front	shelf
Example RE	3054	SPH A	L	GRC	CCPF	LL	W	W	LL

Reception Desks



Spheric - Inverted Quarter-Moon Reception Desk with Finishing Shelf

SPH IF

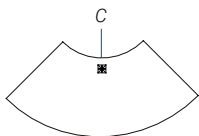


Manufacturing Standards

- 1" top;
- Curved front panels made of high pressure laminate (HPL);
- Centered CCPF grommet;
- 3" aluminum finishing filler when there are 2 adjoining desks.

Options

Grommet Position



Grommet Style



\$0

\$0

Prices

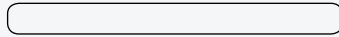
Dimensions

A	B
24 36	4255
30 42	4414

How to Order

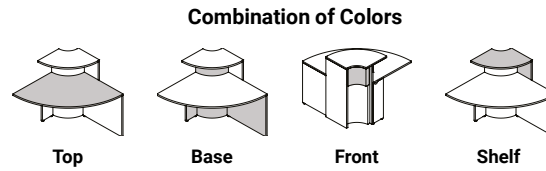
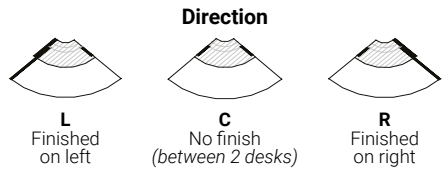
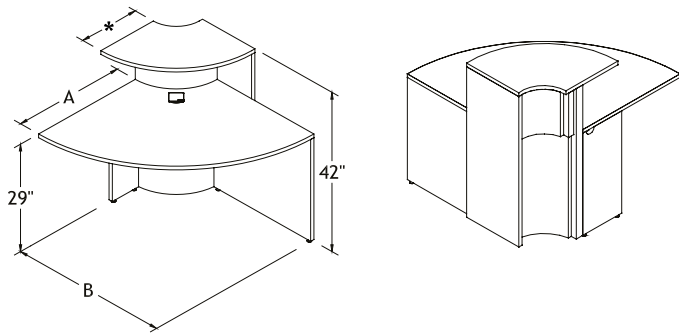
AB		L C R		NGR GRC (std) CCPF (std)		ELPF (+) CAPF CBPF CDPF Combination of Colors <i>See the Logiflex Color Chart (p. 11)</i>			
RE	SPH IF					top	base	front	shelf
series	dimensions	product	direction	grommet	grommet style				
Example RE	2436	SPH IF	L	GRC	CCPF	LL	W	W	LL

Reception Desks



Spheric - Inverted Quarter-Moon Reception Desk with Transaction Shelf

SPH IT



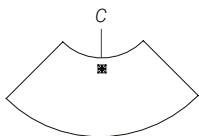
Manufacturing Standards

- 1" top;
- Curved front panels made of high pressure laminate (HPL);
- Centered CCPF grommet;
- 3" aluminum finishing filler when there are 2 adjoining desks.

***Transaction Tops:**
For 24" tops, the transaction shelf is 12";
For 30" tops, the transaction shelf is 16".

Options

Grommet Position



Grommet Style



\$0

\$0

Prices

Dimensions	
A	B
24 36	4416
30 42	4571

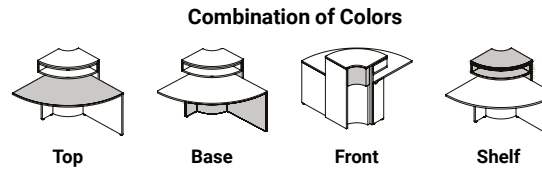
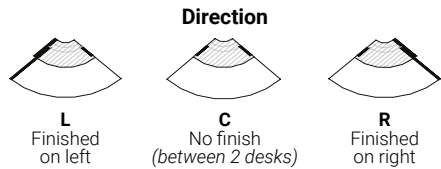
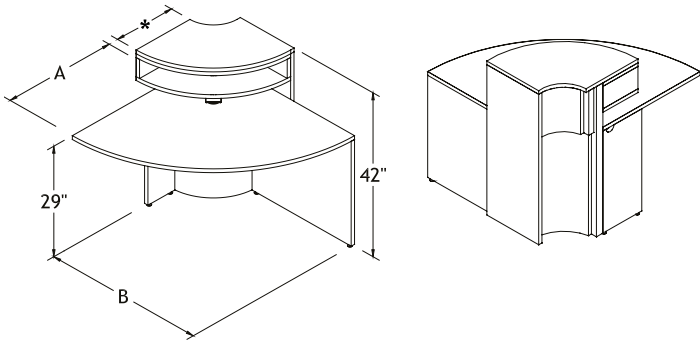
How to Order

AB		L C R		NGR GRC (std) CCPF (std)		ELPF (+) CAPF CBPF CDPF Combination of Colors <i>See the Logiflex Color Chart (p. 11)</i>			
RE	SPH IT					top	base	front	shelf
series	dimensions	product	direction	grommet	grommet style				
Example RE	2436	SPH IT	L	GRC	CCPF	LL	W	W	LL

Reception Desks

Spheric - Inverted Quarter-Moon Reception Desk with Transaction Shelf and Pigeonhole Unit

SPH IP

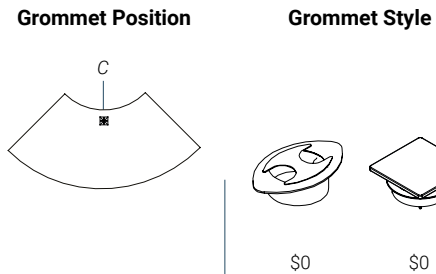


Manufacturing Standards

- 1" top;
- Curved front panels made of high pressure laminate (HPL);
- Centered CCPF grommet;
- 3" aluminum finishing filler when there are 2 adjoining desks.

***Transaction Tops:**
For 24" tops, the transaction shelf is 12";
For 30" tops, the transaction shelf is 16".

Options



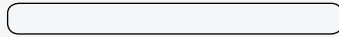
Prices

Dimensions	
A	B
24 36	5448
30 42	5606

How to Order

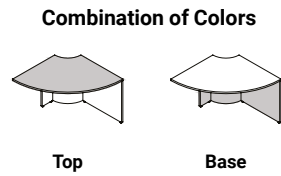
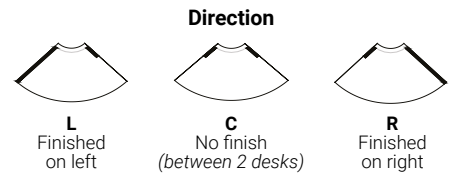
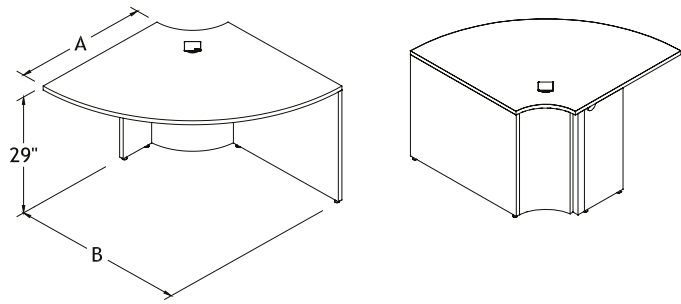
AB		L C R		NGR GRC (std) CCPF (std)		Combination of Colors <i>See the Logiflex Color Chart (p. 11)</i>			
RE	SPH IP					top	base	front	shelf
series	dimensions	product	direction	grommet	grommet style				
Example RE	2436	SPH IP	L	GRC	CCPF	LL	W	W	LL

Reception Desks



Spheric - Inverted Quarter-Moon Consulting Desk

SPH IC



Manufacturing Standards

- 1" top;
- Curved front panels made of high pressure laminate (HPL);
- Centered CCPF grommet;
- 3" aluminum finishing filler when there are 2 adjoining desks.

Fits with Spherical reception desks:
 - 27" consulting desk fits with a 24" reception desk;
 - 33" consulting desk fits with a 30" reception desk.

Options

Grommet Position **Grommet Style**

\$0 \$0

Prices

Dimensions	
A	B
27 36	33 92
33 42	36 96

How to Order

AB		L C R		Grommet		Combination of Colors	
RE	SPH IC			GRC (std)	CCPF (std)	top	base
series	dimensions	product	direction	grommet	grommet style		
Example RE	2736	SPH IC	L	GRC	CCPF	LL	W

ELPF, CAPF, CBPF, CDPF (+)
NGR (std)

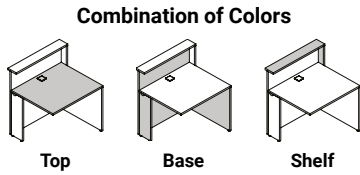
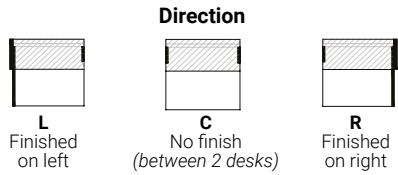
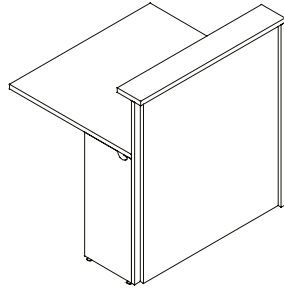
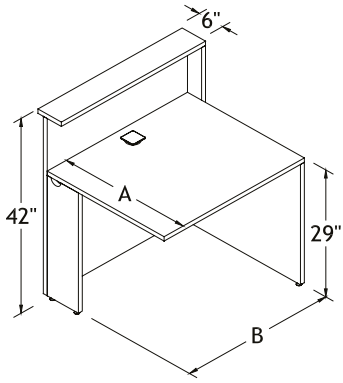
See the Logiflex Color Chart (p. 11)

Reception Desks



Spheric - Straight Reception Desk with Finishing Shelf

SPH SF



Manufacturing Standards

- 1" top;
- Front panels made of high pressure laminate (HPL);
- Centered CCPF grommet;
- 3" aluminum finishing filler when there are 2 adjoining desks.

Installed Pedestal Option: For available installed pedestals, see Work Desks starting on [page 73](#).

Options

Grommet Position	Grommet Style	Installed Pedestals
	<p>\$0 \$28 ea.</p>	<p>Specify installed pedestals, starting on p. 73</p>

Prices

Dimensions	
A	B
24 36	1455
30 36	1504

How to Order

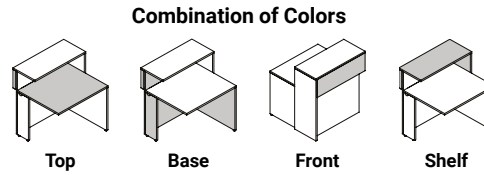
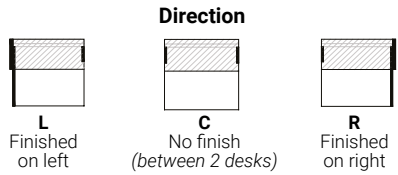
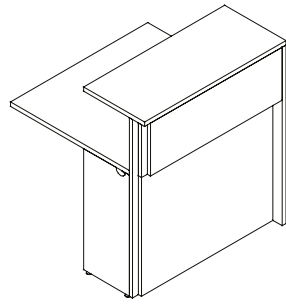
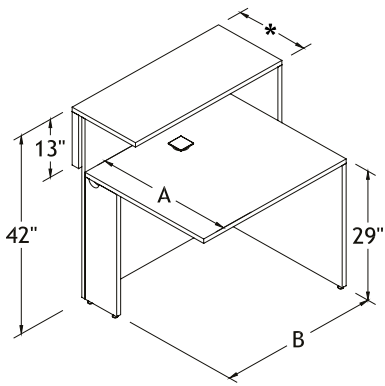
option (\$)	AB	option (\$)	L C R	NGR GLR GRR GRL GRC (std)	ELPF (+) CAPF CBPF CDPF CCPF (std)	Combination of Colors <i>See the Logiflex Color Chart (p. 11)</i>		
RE			SPH SF			top	base	shelf
series	pedestal on left	dimensions	pedestal on right	product	direction	grommet position	grommet style	
Example RE	E	2436		SPH SF	L	GRC	CCPF	LL W LL

Reception Desks



Spheric - Straight Reception Desk with Transaction Shelf

SPH ST



Manufacturing Standards

- 1" top;
- Front panels made of high pressure laminate (HPL);
- Centered CCPF grommet;
- 3" aluminum finishing filler when there are 2 adjoining desks.

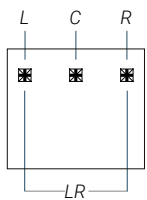
*Transaction Tops:

For 24" tops, the transaction shelf is 12";
For 30" tops, the transaction shelf is 16".

Installed Pedestal Option: For available installed pedestals, see Work Desks starting on [page 73](#).

Options

Grommet Position



Grommet Style

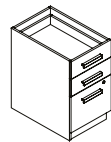


\$0



\$28 ea.

Installed Pedestals



Specify installed pedestals, starting on [p. 73](#)

Prices

Dimensions

A	B
24 36	1636
30 36	1683

How to Order

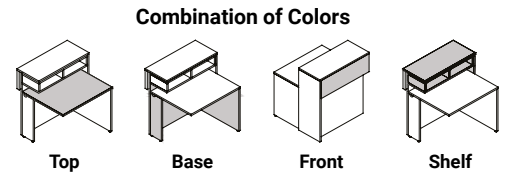
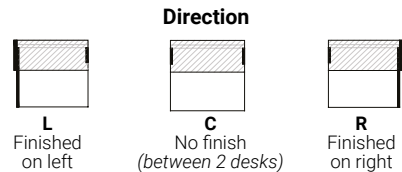
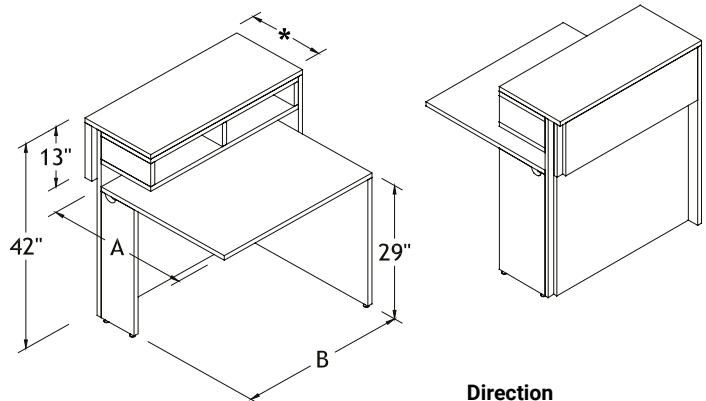
RE	option (\$)	AB	option (\$)	SPH ST	L C R	NGR GLR GRR GRL GRC (std)	ELPF CAPF CBPF CDPF CCPF (std)	Combination of Colors <i>See the Logiflex Color Chart (p. 11)</i>			
series	pedestal on left	dimensions	pedestal on right	product	direction	grommet position	grommet style	top	base	front	shelf
Example RE	E	2436		SPH ST	L	GRC	CCPF	LL	W	W	LL

Reception Desks



Spheric - Straight Reception Desk with Transaction Shelf and Pigeonhole Unit

SPH SP



Manufacturing Standards

- 1" top;
- Front panels made of high pressure laminate (HPL);
- Centered CCPF grommet;
- 3" aluminum finishing filler when there are 2 adjoining desks.

***Transaction Tops:**
 For 24" tops, the transaction shelf is 12";
 For 30" tops, the transaction shelf is 16".

Installed Pedestal Option: For available installed pedestals, see Work Desks starting on [page 73](#).

Options

Grommet Position	Grommet Style	Installed Pedestals
	<p>\$0 \$28 ea.</p>	<p>Specify installed pedestals, starting on p. 73</p>

Prices

Dimensions	
A	B
24 36	1921
30 36	2001

How to Order

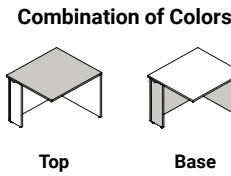
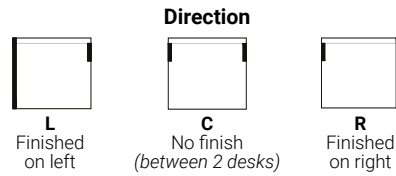
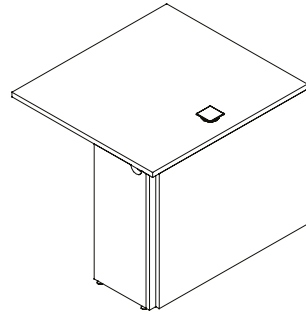
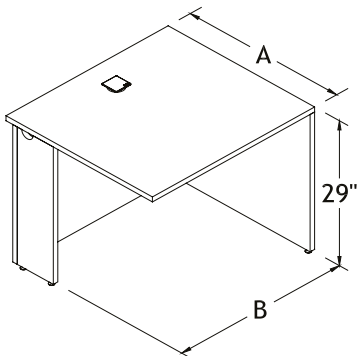
RE	option (\$)	AB	option (\$)	SPH SP	L C R	NGR GLR GRR GRL GRC (std)	ELPF CAPF CBPF CDPF CCPF (std)	Combination of Colors <i>See the Logiflex Color Chart (p. 11)</i>			
series	pedestal on left	dimensions	pedestal on right	product	direction	grommet position	grommet style	top	base	front	shelf
Example RE	E	2436		SPH SP	L	GRC	CCPF	LL	W	W	LL

Reception Desks



Spheric - Straight Consulting Desk

SPH SC



Manufacturing Standards

- 1" top;
- Front panels made of high pressure laminate (HPL);
- Centered CCPF grommet;
- 3" aluminum finishing filler when there are 2 adjoining desks.

Fits with Spherical reception desks:

- 27" consulting desk fits with a 24" reception desk;
- 33" consulting desk fits with a 30" reception desk.

Installed Pedestal Option: For available installed pedestals, see Work Desks starting on [page 73](#).

Options

Grommet Position	Grommet Style	Installed Pedestals
	<p>\$0 \$28 ea.</p>	<p>Specify installed pedestals, starting on p. 73</p>

Prices

Dimensions	
A	B
27 36	909
33 36	1073

How to Order

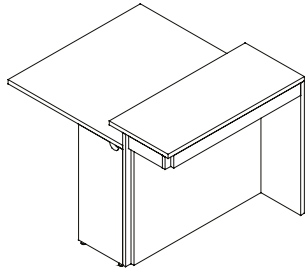
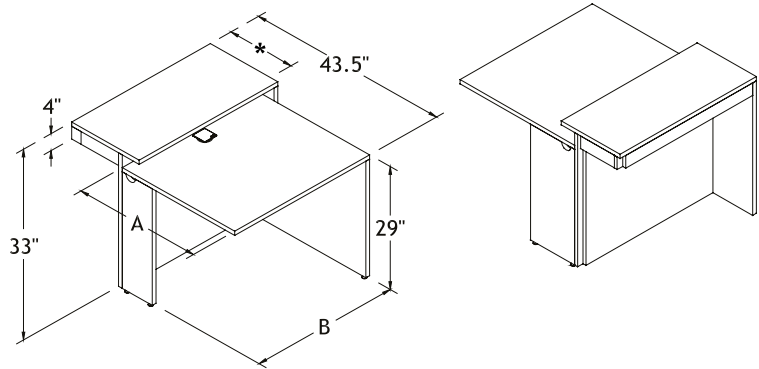
option (\$)	AB	option (\$)	L C R	NGR GLR GRR GRL GRC (std)	ELPF CAPF CBPF CDPF CCPF (std)	Combination of Colors <i>See the Logiflex Color Chart (p. 11)</i>		
RE						top	base	
series	pedestal on left	dimensions	pedestal on right	product	direction	grommet position	grommet style	
Example RE	E	2736		SPH SC	L	GRC	CCPF	LL W

Reception Desks

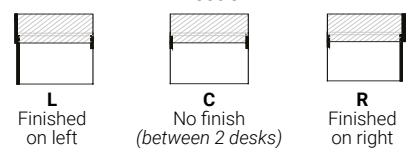


Spheric - Straight Accessible Reception Desk

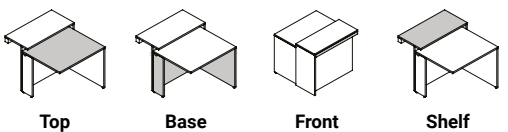
SPH SA



Direction



Combination of Colors



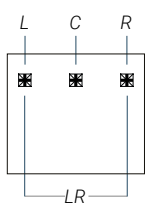
Manufacturing Standards

- 1" top;
- Front panels made of high pressure laminate (HPL);
- Centered CCPF grommet;
- 3" aluminum finishing filler when there are 2 adjoining desks.

***Transaction Tops:**
 For 24" tops, the transaction shelf is 12";
 For 30" tops, the transaction shelf is 16".
Installed Pedestal Option: For available installed pedestals, see Work Desks starting on [page 73](#).

Options

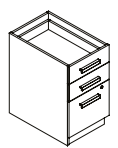
Grommet Position



Grommet Style



Installed Pedestals



Specify installed pedestals, starting on [p. 73](#)

Prices

Dimensions	
A	B
24 36	1636
30 36	1683

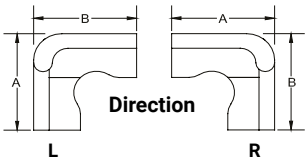
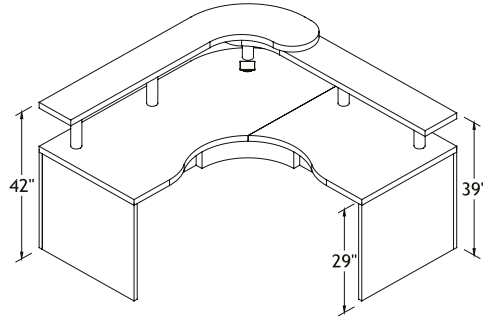
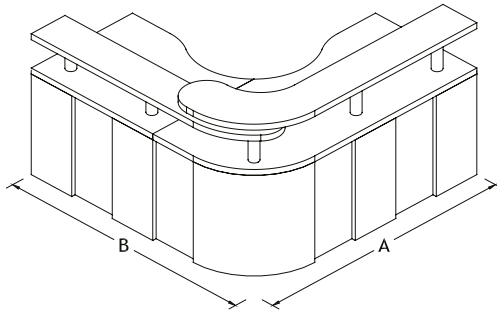
How to Order

RE	option (\$)	AB	option (\$)	SPH SA	L C R	NGR GLR GRR GRL GRC (std)	ELPF CAPF CBPF CDPF CCPF (std)	Combination of Colors <i>See the Logiflex Color Chart (p. 11)</i>			
series	pedestal on left	dimensions	pedestal on right	product	direction	grommet position	grommet style	top	base	front	shelf
Example RE	E	2436		SPH SA	L	GRC	CCPF	LL	W	W	LL

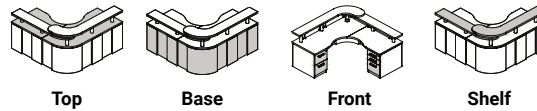
Reception Desks

Manhattan - Reception Desk

MAN



Combination of Colors



Manufacturing Standards

Reception Desk:

- 1-5/8" desk and shelf tops;
- Rounded corner front panel made of high pressure laminate (HPL);
- 2.5" diameter, Satin Nickel finish brackets;
- Centred CAPF grommet;
- Top depth: 30".

Acrylic Panel Option:

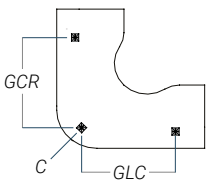
- 1/8" frosted acrylic panels polished on the visible sides.

Pedestals cannot be installed on reception stations that are 66" X 66" because of the curves close to the user space. We suggest mobile pedestals instead.

30" pedestals cannot be installed on reception stations that are less than 84" X 84" because of the curves close to the user space.

Options

Grommet Position



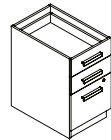
3 grommets (GR3)

Grommet Style



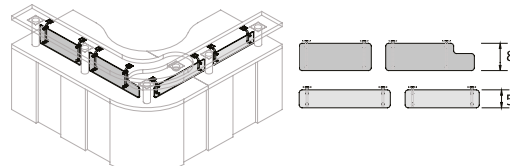
\$0 \$28 ea.

Installed Pedestals



Specify installed pedestals, starting on p. 73

Acrylic Panels



PL
\$2 431

Prices

Dimensions	REC	RECL
A B	1-5/8"	1-9/16"
66 66	7391	9286
72 72	7603	9519
78 78	7815	9748
84 84	8026	10031
96 96	8442	10481

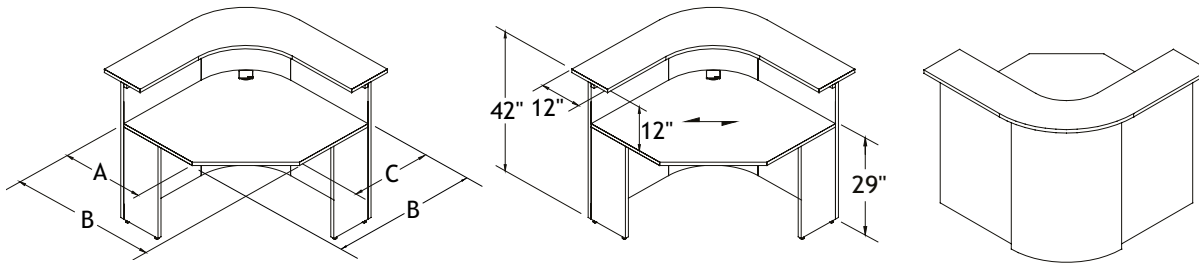
How to Order

REC	RECL	option (\$)	AB	option (\$)	L	R	NGR GLC GCR GR3	ELPF CCPF CBPF CDPF	PL	Combination of Colors <i>See the Logiflex Color Chart (p. 11)</i>			
series	pedestal on left	dimensions	pedestal on right	product	direction	grommet position	grommet style	acrylic panel	top	base	front	shelf	
Example REC	E	7878		MAN	L	GRC	CAPF	PL	W	SW	SW	W	

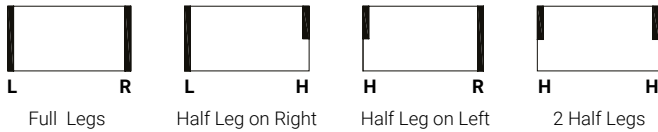
Reception Desks

Reception C - Corner Counter with Straight Cut

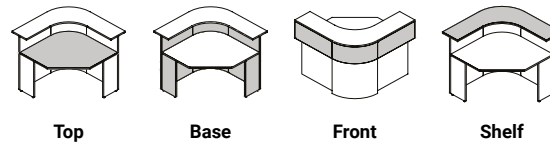
CXT



Direction



Combination of Colors



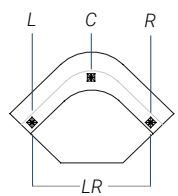
Manufacturing Standards

- Corner reception desk with straight keyboard space;
- Curved high pressure laminate panel at front of reception;
- 42"H transaction shelf;
- Corner CCPF grommet.

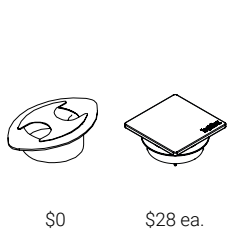
Vertical Panel (PV) option: It is possible to add a 12"H vertical panel on the front of the reception, under the transaction shelf. The curved part is in high pressure laminate (HPL) but not the left and right vertical panels.

Options

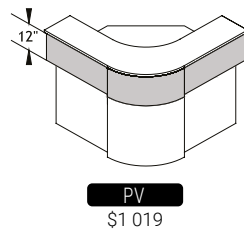
Grommet Position



Grommet Style



Vertical Panel



Prices

Dimensions	RE	REL	REC	RECL
A B C	1"	1-1/16"	1-5/8"	1-9/16"
18 36 18	3641	4258	3871	4456
18 42 18	3701	4411	4010	4682
24 42 24	3701	4411	4010	4682
24 48 24	3856	4687	4261	5044
30 48 30	3856	4687	4261	5044

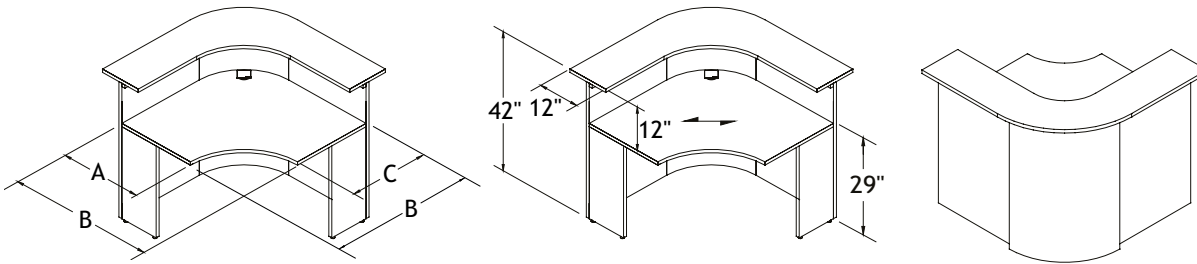
How to Order

RE	REL	REC	RECL	ABC	CXT	LR	LH	HR	HH	NGR	GRL	GRR	GLR	GRC (std)	ELPF	CAPF	CBPF	CDPF	CCPF (std)	PV	Combination of Colors	
																						See the Logiflex Color Chart (p. 11)
series	dimensions	product	direction	grommet position	grommet style	vertical panel	top	base	front	shelf												
Example	RE	184218	CXT	LR	GRC	CCPF	PV	W	W	W	W											

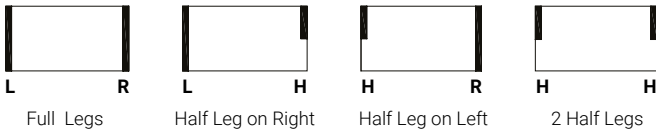
Reception Desks

Reception C - Corner Counter with Curved Cut

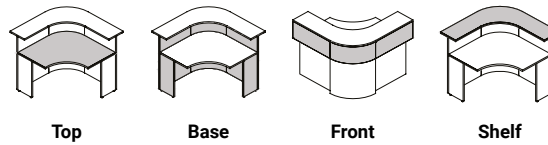
CXX



Direction



Combination of Colors



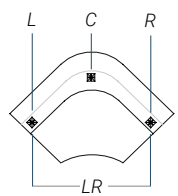
Manufacturing Standards

- Corner reception desk with curved keyboard space;
- Curved high pressure laminate panel at front of reception;
- 42"H transaction shelf;
- Corner CCPF grommet.

Vertical Panel (PV) option: It is possible to add a 12"H vertical panel on the front of the reception, under the transaction shelf. The curved part is in high pressure laminate (HPL) but not the left and right vertical panels.

Options

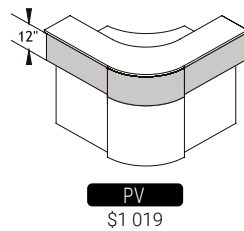
Grommet Position



Grommet Style



Vertical Panel



Prices

Dimensions	RE	REL	REC	RECL
A B C	1"	1-1/16"	1-5/8"	1-9/16"
18 42 18	3814	4533	4123	4807
24 42 24	3814	4533	4123	4807
24 48 24	3974	5168	4698	5521
30 48 30	3974	5168	4698	5521

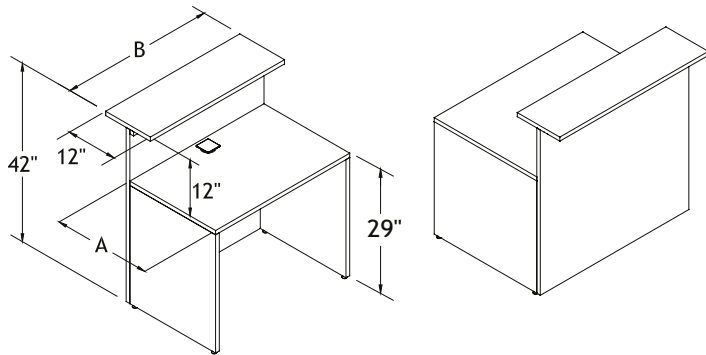
How to Order

RE	REL	REC	RECL	ABC	CXX	LR	LH	HR	HH	NGR	GRL	GRR	GLR	GRC (std)	ELPF	CAPF	CBPF	CDPF	CCPF (std)	PV	Combination of Colors	
																						See the Logiflex Color Chart (p. 11)
series	dimensions	product	direction																			
RE	184218	CXX	LR							GRC					CCPF						PV	W W W W

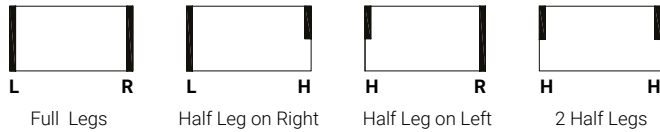
Reception Desks

Reception C - Rectangular Reception Desk

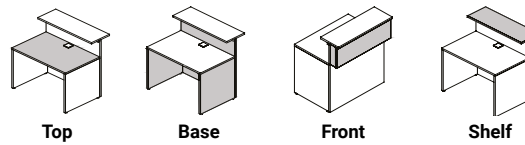
CTB



Direction



Combination of Colors



Manufacturing Standards

- Rectangular reception desk;
- 42"H transaction shelf;
- Centered CCPF grommet for desks less than 48", left and right grommets for desks of 48" and up.

Vertical Panel (PV) option: It is possible to add a 12"H vertical laminate panel on the front of the reception, under the transaction shelf.

Options

Grommet Position	Grommet Style	Installed Pedestals	Vertical Panel
	\$0 \$28 ea.	Specify installed pedestals, starting on p. 73	PV \$198

Prices

Dimensions	RE	REL	REC	RECL
A B	1"	1-1/16"	1-5/8"	1-9/16"
18 36	923	1140	1035	1238
18 42	957	1200	1091	1318
18 48	996	1262	1144	1395
18 54	1091	1391	1263	1539
18 60	1172	1498	1362	1664
<hr/>				
24 36	969	1231	1119	1364
24 42	1015	1306	1187	1464
24 48	1094	1426	1297	1601
24 54	1172	1539	1398	1737
24 60	1227	1628	1479	1851
<hr/>				
30 36	1015	1326	1206	1491
30 42	1068	1414	1285	1608
30 48	1191	1589	1446	1812
30 54	1248	1687	1534	1937
30 60	1281	1759	1598	2035

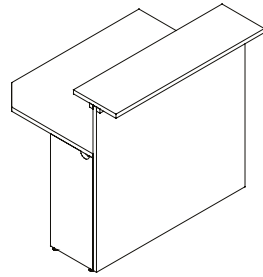
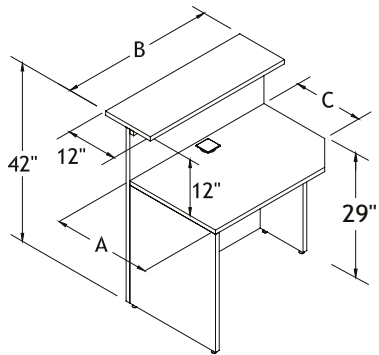
How to Order

RE	REL	REC	RECL	option (\$)	AB	option (\$)	CTB	LR	LH	HR	HH	NGR	GRL	GRR	GLR	ELPF	CAPF	CBPF	CDPF	GRC (std)	CCPF (std)	PV	Combination of Colors <i>See the Logiflex Color Chart (p. 11)</i>			
																							top	base	front	shelf
							CTB																W	W	W	W
RE	E				2460		CTB	LR				GRC	CCPF									PV				

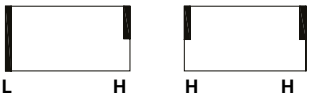
Reception Desks

Reception C - Left Reception Return with Corner Cut on Right

LCTTB



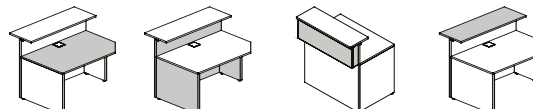
Direction



Half Leg on Right

2 Half Legs

Combination of Colors



Top

Base

Front

Shelf

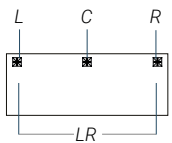
Manufacturing Standards

- Left reception return with corner cut on right;
- 42"H transaction shelf;
- Centered CCPF grommet for desks less than 48", left and right grommets for desks of 48" and up.

Vertical Panel (PV) option: It is possible to add a 12"H vertical laminate panel on the front of the reception, under the transaction shelf.

Options

Grommet Position



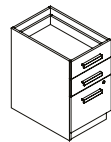
Grommet Style



\$0

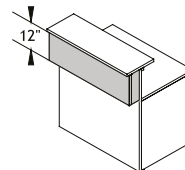
\$28 ea.

Installed Pedestals



Specify installed pedestals, starting on p. 73

Vertical Panel



PV
\$198

Prices

Dimensions	RE	REL	REC	RECL
A B C	1"	1-1/16"	1-5/8"	1-9/16"
24 36 18	1032	1302	1182	1435
24 42 18	1077	1378	1255	1538
24 48 18	1161	1498	1362	1674
24 54 18	1238	1608	1462	1810
24 60 18	1293	1698	1545	1921
30 36 24	1077	1396	1269	1563
30 42 24	1131	1488	1353	1681
30 48 24	1259	1662	1511	1881
30 54 24	1313	1763	1600	2007
30 60 24	1347	1830	1662	2106

36 36 30	1122	1484	1349	1685
36 42 30	1183	1595	1450	1830
36 48 30	1357	1824	1658	2094
36 54 30	1393	1913	1736	2209
36 60 30	1403	1957	1779	2291

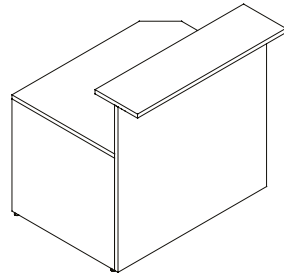
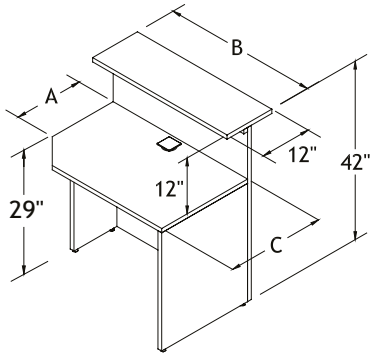
How to Order

RE	REL	REC	RECL	option (\$)	ABC	LH	HH	NGR	GRL	GRR	GLR	GRC (std)	ELPF	CAPF	CBPF	CDPF	CCPF (std)	PV	Combination of Colors <i>See the Logiflex Color Chart (p. 11)</i>			
series	pedestal on left	dimensions	product	direction	grommet position	grommet style	vertical panel	top	base	front	shelf											
RE	E	246018	LCTTB	LH	GRC	CCPF	PV	W	W	W	W											

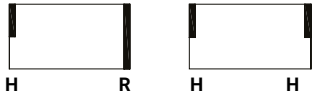
Reception Desks

Reception C - Right Reception Return with Corner Cut on Left

RCTTB



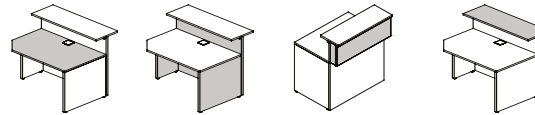
Direction



Half Leg on Left

2 Half Legs

Combination of Colors



Top

Base

Front

Shelf

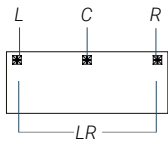
Manufacturing Standards

- Right reception return with corner cut on left;
- 42" high transaction shelf;
- Centered CCPF grommet for desks less than 48", left and right grommets for desks of 48" and up.

Vertical Panel (PV) option: It is possible to add a 12"H vertical laminate panel on the front of the reception, under the transaction shelf.

Options

Grommet Position



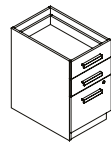
Grommet Style



\$0

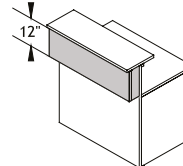
\$28 ea.

Installed Pedestals



Specify installed pedestals, starting on p. 73

Vertical Panel



PV
\$198

Prices

Dimensions	RE	REL	REC	RECL
A B C	1"	1-1/16"	1-5/8"	1-9/16"
18 36 24	1032	1302	1182	1435
18 42 24	1077	1378	1255	1538
18 48 24	1161	1498	1362	1674
18 54 24	1238	1608	1462	1810
18 60 24	1293	1698	1545	1921
24 36 30	1077	1396	1269	1563
24 42 30	1131	1488	1353	1681
24 48 30	1259	1662	1511	1881
24 54 30	1313	1763	1600	2007
24 60 30	1347	1830	1662	2106

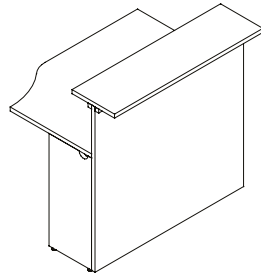
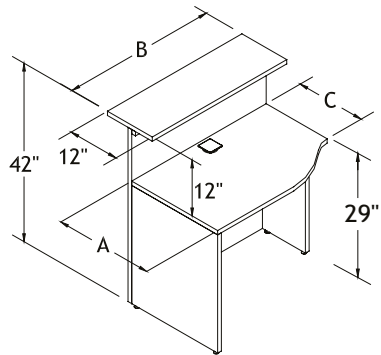
How to Order

RE	REL	REC	RECL	ABC	option (\$)	HR	HH	NGR	GRL	GRR	GLR	GRC (std)	ELPF	CAPF	CBPF	CDPF	CCPF (std)	PV	Combination of Colors <i>See the Logiflex Color Chart (p. 11)</i>				
																				top	base	front	shelf
series	dimensions	pedestal on right	product	direction	grommet position	grommet style	vertical panel					top	base	front	shelf								
RE	186024	E	RCTTB	HR	GRC	CCPF	PV					W	W	W	W								

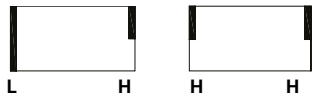
Reception Desks

Reception C - Left Reception Return with Curved Cut on Right

LCVTB



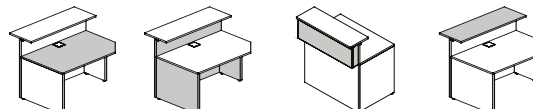
Direction



Half Leg on Right

2 Half Legs

Combination of Colors



Top

Base

Front

Shelf

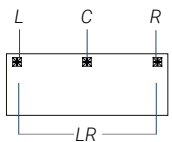
Manufacturing Standards

- Left reception return with curved cut on right;
- 42"H transaction shelf;
- Centered CCPF grommet for desks less than 48", left and right grommets for desks of 48" and up.

Vertical Panel (PV) option: It is possible to add a 12"H vertical laminate panel on the front of the reception, under the transaction shelf.

Options

Grommet Position



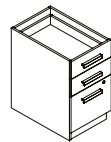
Grommet Style



\$0

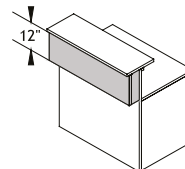
\$28 ea.

Installed Pedestals



Specify installed pedestals, starting on p. 73

Vertical Panel



PV
\$198

Prices

Dimensions	RE	REL	REC	RECL
A B C	1"	1-1/16"	1-5/8"	1-9/16"
24 36 18	1032	1302	1182	1435
24 42 18	1077	1378	1255	1538
24 48 18	1161	1498	1362	1674
24 54 18	1238	1608	1462	1810
24 60 18	1293	1698	1545	1921
30 36 24	1077	1396	1269	1563
30 42 24	1131	1488	1353	1681
30 48 24	1259	1662	1511	1881
30 54 24	1313	1763	1600	2007
30 60 24	1347	1830	1662	2106

36 36 30	1122	1484	1349	1685
36 42 30	1183	1595	1450	1830
36 48 30	1357	1824	1658	2094
36 54 30	1393	1913	1736	2209
36 60 30	1403	1957	1779	2291

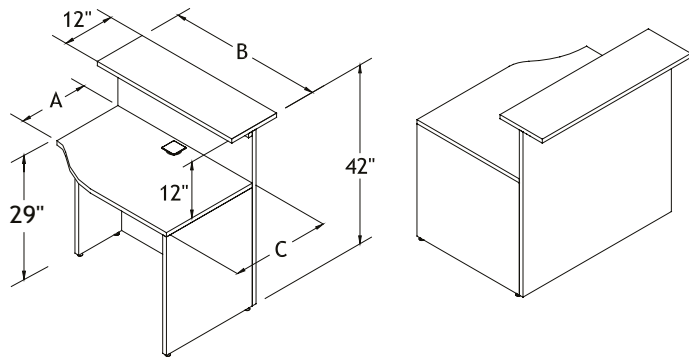
How to Order

RE	REL	REC	RECL	option (\$)	ABC	LH	HH	NGR	GRL	GRR	GLR	GRC (std)	ELPF	CAPF	CBPF	CDPF	CCPF (std)	PV	Combination of Colors <i>See the Logiflex Color Chart (p. 11)</i>			
series	pedestal on left	dimensions	product	direction	grommet position	grommet style	vertical panel	top	base	front	shelf											
RE	E	246018	LCVTB	LH	GRC	CCPF	PV	W	W	W	W											

Reception Desks

Reception C - Right Reception Return with Curved Cut on Left

RCVTB



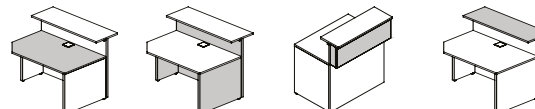
Direction



Half Leg on Left

2 Half Legs

Combination of Colors



Top

Base

Front

Shelf

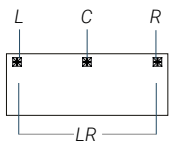
Manufacturing Standards

- Right reception return with curved cut on left;
- 42" high transaction shelf;
- Centered CCPF grommet for desks less than 48", left and right grommets for desks of 48" and up.

Vertical Panel (PV) option: It is possible to add a 12"H vertical laminate panel on the front of the reception, under the transaction shelf.

Options

Grommet Position



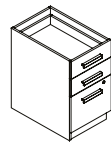
Grommet Style



\$0

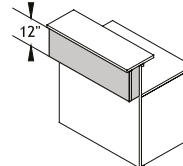
\$28 ea.

Installed Pedestals



Specify installed pedestals, starting on p. 73

Vertical Panel



PV
\$198

Prices

Dimensions	RE	REL	REC	RECL
A B C	1"	1-1/16"	1-5/8"	1-9/16"
18 36 24	1032	1302	1182	1435
18 42 24	1077	1378	1255	1538
18 48 24	1161	1498	1362	1674
18 54 24	1238	1608	1462	1810
18 60 24	1293	1698	1545	1921
24 36 30	1077	1396	1269	1563
24 42 30	1131	1488	1353	1681
24 48 30	1259	1662	1511	1881
24 54 30	1313	1763	1600	2007
24 60 30	1347	1830	1662	2106

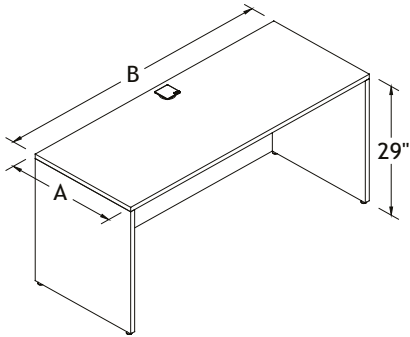
How to Order

RE	REL	REC	RECL	ABC	option (\$)	HR	HH	NGR	GRL	GRR	GLR	GRC (std)	ELPF	CAPF	CBPF	CDPF	CCPF (std)	PV	Combination of Colors <i>See the Logiflex Color Chart (p. 11)</i>			
series	dimensions	pedestal on right	product	direction	grommet position	grommet style	vertical panel	top	base	front	shelf											
RE	186024	E	RCVTB	HR	GRC	CCPF	PV	W	W	W	W											

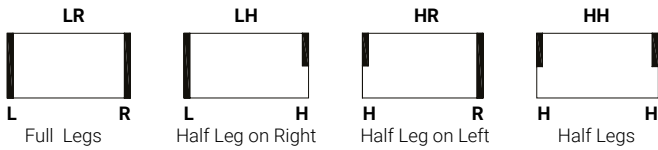
Work Desks

Lateral Tables

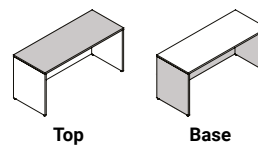
TL



Leg Bases



Combination of Colors



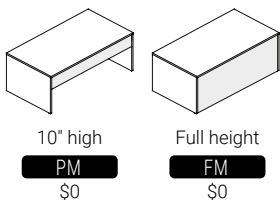
Manufacturing Standards

- 1" thick laminate top and legs;
- Centered CCPF grommet;
- Flush modesty.

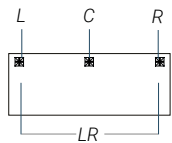
Modesties: If choice of modesty is not specified, the standard (FM) will be used, PM modesties are available at no extra charge.

Options

Modesty



Grommet Position



Grommet Style



Prices

Dimensions	RE	REL	REC	RECL
A B	1"	1-1/16"	1-5/8"	1-9/16"
24 30	630	792	720	898
24 36	662	847	768	974
24 42	697	902	819	1051
24 48	732	954	868	1126
24 54	763	1016	923	1204
24 60	796	1067	971	1278
24 66	824	1121	1018	1354
24 72	858	1173	1068	1427
24 78	887	1228	1117	1502

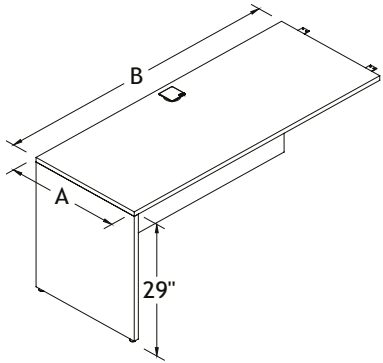
How to Order

RE	REL	REC	RECL	AB	TL	LH	HR	HH	PM	NGR	ELPF	Combination of Colors See the Logiflex Color Chart (p. 11)
						LR (std)			FM (std)	GRC (std)	CCPF (std)	
series	dimensions	product	direction	modesty	grommet position	grommet style	top	base	front			
Example	RE	2472	TL	LR	PM	GRC	CCPF	SW	W	SW		

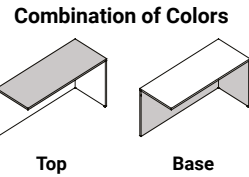
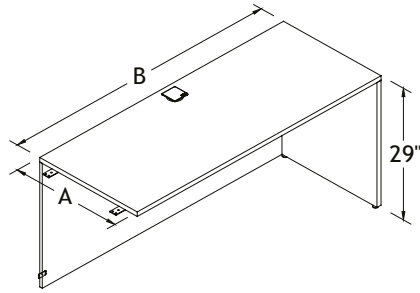
Work Desks

Returns

L29



R29



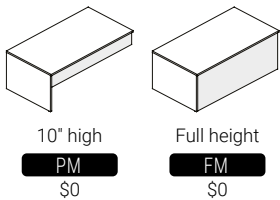
Manufacturing Standards

- 1" thick laminate top and legs;
- Centered CCPF grommet;
- Flush plates;
- Flush modesty;
- Height: 29".

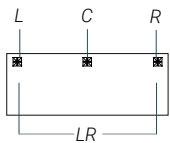
Modesties: If choice of modesty is not specified, the standard (FM) will be used, PM modesties are available at no extra charge.

Options

Modesty



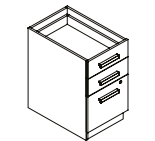
Grommet Position



Grommet Style



Installed Pedestals



Specify installed pedestals, starting on p. 73

Prices

Dimensions	RE	REL	REC	RECL
A B	1"	1-1/16"	1-5/8"	1-9/16"
24 30	535	688	623	792
24 36	557	729	662	857
24 42	578	775	701	922
24 48	600	816	743	988
24 54	622	858	780	1050
24 60	644	901	818	1117

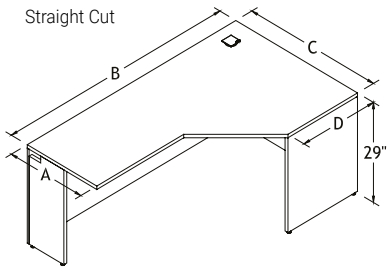
How to Order

RE REL REC RECL	AB	option (\$)	L29 R29	PM FM (std)	NGR GRL GRR GLR GRC (std)	ELPF CAPF CBPF CDPF CCPF (std)	Combination of Colors See the Logiflex Color Chart (p. 11)		
series	dimensions	pedestal	product	modesty	grommet position	grommet style	top	base	front
RE	2448	E	L29	PM	GRC	CCPF	SW	W	SW

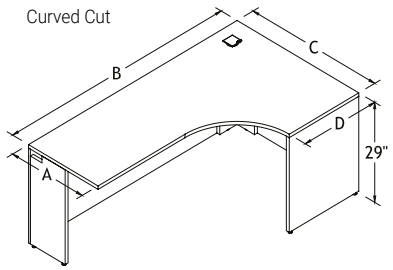
Work Desks

Left Extended Corner Tables

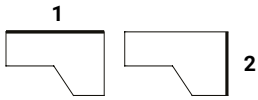
S L



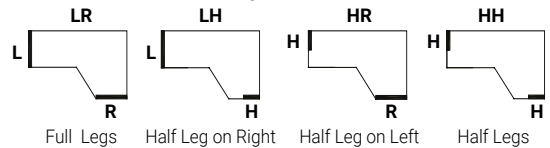
A L



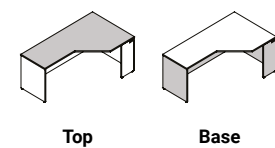
Modesties



Leg Bases



Combination of Colors



Manufacturing Standards

- Delivered disassembled;
- 1" thick laminate top and legs;
- Corner CCPF grommet;
- Flush modesty.

Modesties: If choice of modesty is not specified, the standard (FM) will be used, PM modesties are available at no extra charge.

Installed Pedestal Option: The pedestal will be installed on the extended side of the desks (on left).

Options

Modesty

10" high
PM
\$0

Full height
FM
\$0

Grommet Position

Grommet Style

\$0 \$28 ea.

Prices

Dimensions	RE	REL	REC	RECL
A B C D	1"	1-1/16"	1-5/8"	1-9/16"
24 60 42 24	1266	1729	1572	2099
24 66 42 24	1315	1822	1655	2228
24 72 42 24	1381	1924	1749	2368
24 78 42 24	1446	2027	1842	2508

How to Order

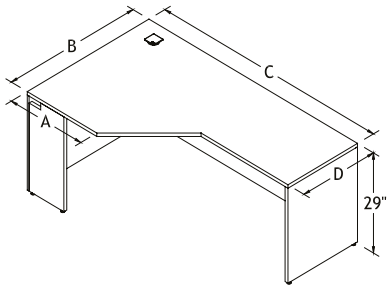
RE REL REC RECL	ABCD	S A	L LR (std)	LH HR HH LR (std)	PM FM (std)	PM FM (std)	NGR GRL GRR GLR GRC (std)	ELPF CAPF CBPF CDPF CCPF (std)	Combination of Colors <i>See the Logiflex Color Chart (p. 11)</i>		
series	dimensions	product	direction	direction	modesty 1	modesty 2	grommet position	grommet style	top	base	front
Example RE	24724224	A	L	LR	PM	PM	GRC	CCPF	SW	W	SW

Work Desks

Right Extended Corner Tables

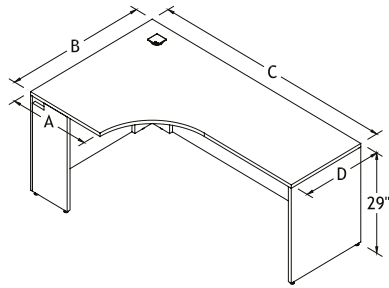
S R

Straight Cut

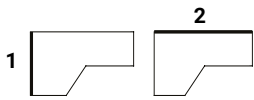


A R

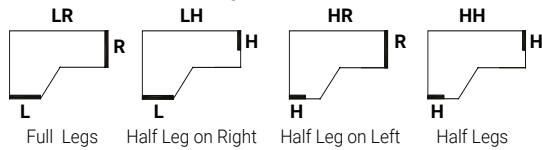
Curved Cut



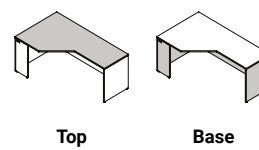
Modesties



Leg Bases



Combination of Colors



Manufacturing Standards

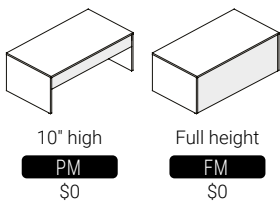
- Delivered disassembled;
- 1" thick laminate top and legs;
- Corner CCPF grommet;
- Flush modesty.

Modesties: If choice of modesty is not specified, the standard (FM) will be used, PM modesties are available at no extra charge.

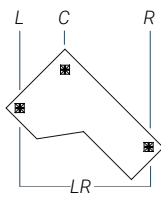
Installed Pedestal Option: The pedestal will be installed on the extended side of the desks (on right).

Options

Modesty



Grommet Position



Grommet Style



Prices

Dimensions	RE	REL	REC	RECL
A B C D	1"	1-1/16"	1-5/8"	1-9/16"
24 42 60 24	1266	1729	1572	2099
24 42 66 24	1315	1822	1655	2228
24 42 72 24	1381	1924	1749	2368
24 42 78 24	1446	2027	1842	2508

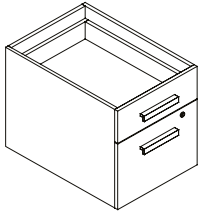
How to Order

RE REL REC RECL	ABCD	S A	R	LH HR HH LR (std)	PM FM (std)	PM FM (std)	NGR GRL GRR GLR	ELPF CAPF CBPF CDPF	Combination of Colors See the Logiflex Color Chart (p. 11)		
series	dimensions	product	direction	direction	modesty 1	modesty 2	grommet position	grommet style	top	base	front
RE	24427224	A	R	LR	PM	PM	GRC	CCPF	SW	W	SW

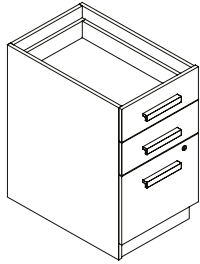
Storage Furniture

Installed Pedestals

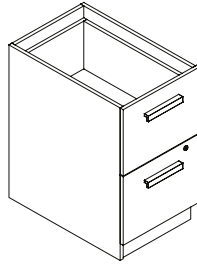
D



E



F



Manufacturing Standards

- Factory installed pedestals without tops;
- D = 1 utility drawer and 1 file drawer;
- E = 2 utility drawers and 1 file drawer;
- F = 2 file drawers;
- H052CHR or H052SN handles according to collection;
- Satin nickel lock.

Width : Letter size - 15-3/4"

Width : Legal size - 18-3/4"

Depth is adjusted to match furniture ordered.

How to Order:

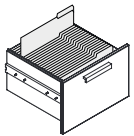
Add the pedestal code desired to the desk code on which it has to be installed following the "How to Order" instructions on the desk page.

Handles: For handles other than H052, please choose from the Logiflex list at no extra charge.

Prices

Code	Front Finish Std
D	700
DX	819
E	956
EX	1077
F	933
FX	1053

Options



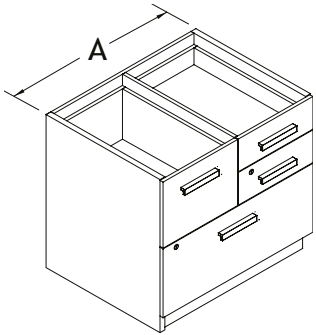
Legal Size

X

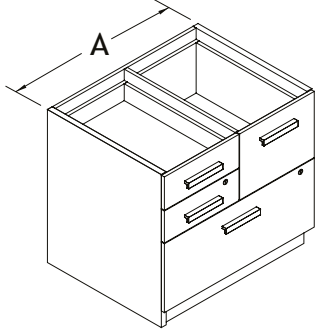
Storage Furniture

Installed Pedestals

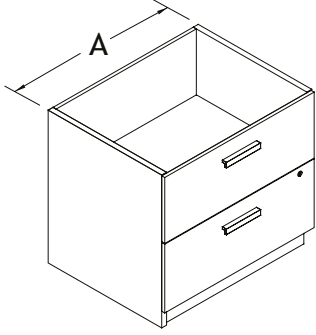
CBCL30



BCCL30



CL30



Manufacturing Standards

- Factory installed pedestals without tops;
- CBCL/BCCL= 2 utility drawers, 1 file drawer and 1 lateral file drawer;
- CL= 2 lateral file drawers;
- H052CHR or H052SN handles according to collection;
- Satin nickel lock.

Depth is adjusted to match furniture ordered.

How to Order:

Add the pedestal code desired to the desk code on which it has to be installed following the "How to Order" instructions on the desk page.

Handles: For handles other than H052, please choose from the Logiflex list at no extra charge.

Prices

CBCL30/BCCL30

Code	Front Finish Std
CBCL30	1473
BCCL30	1473

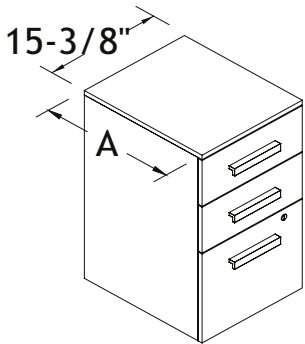
CL30

Code	Front Finish Std
CL30	1065

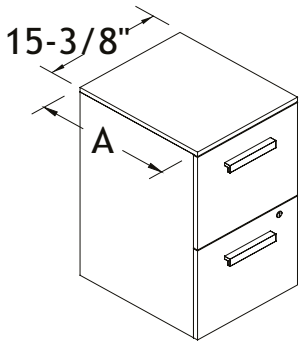
Storage Furniture

Mobile E and F Pedestals - Letter Size

MOBE



MOBF



Manufacturing Standards

- Delivered with the casters disassembled;
- E = 2 utility drawers and 1 letter size file drawer;
- F = 2 letter size file drawers;
- H052CHR handles;
- Satin nickel lock;
- 5 casters (not visible);
- Height: 27-3/8".

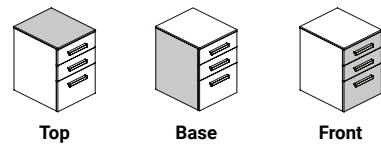
Handles: For handles other than H052CHR standard, please choose from the Logiflex list at no extra charge.

Counterweight: A 45 lb counterweight is included for pedestals that are 18" deep.

Prices

Dimensions A Code	Front Finish Std
18 MOBE	1017
23 MOBE	1035
18 MOBF	993
23 MOBF	1012

Combination of Colors



How to Order

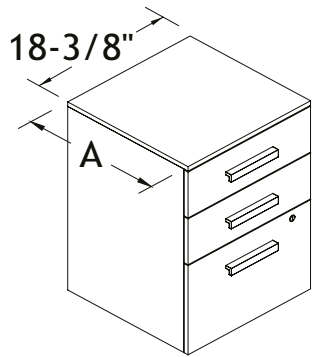
Combination of Colors
See the Logiflex Color Chart (p. 11)

RE	A	MOB	E F				
series	dimensions	code	pedestal	top	base	front	
Example	RE	18	MOB	E	W	W	SW

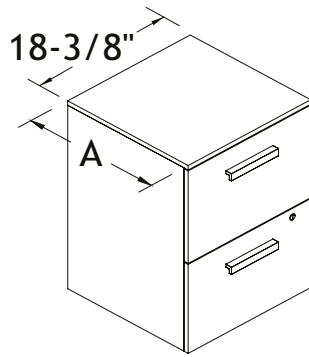
Storage Furniture

Mobile E and F Pedestals - Legal Size

MOBXE



MOBXF



Manufacturing Standards

- Delivered with the casters disassembled;
- E = 2 utility drawers and 1 legal size file drawer;
- F = 2 legal size file drawers;
- H052CHR handles;
- Satin nickel lock;
- 5 casters (not visible);
- Height: 27-3/8".

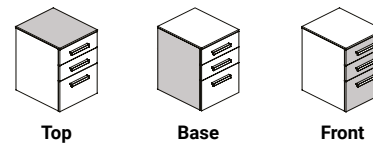
Handles: For handles other than H052CHR standard, please choose from the Logiflex list at no extra charge.

Counterweight: A 45 lb counterweight is included for pedestals that are 18" deep.

Prices

Dimensions A Code	Front Finish Std
18 MOBXE	1141
23 MOBXE	1161
18 MOBXF	1117
23 MOBXF	1134

Combination of Colors



How to Order

Combination of Colors

See the Logiflex
Color Chart (p. 11)

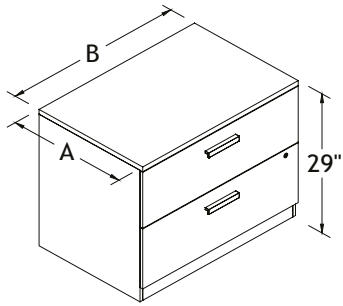
RE	A	MOBX	E F			
series	dimensions	code	pedestal	top	base	front

Example RE 18 MOBX E W W SW

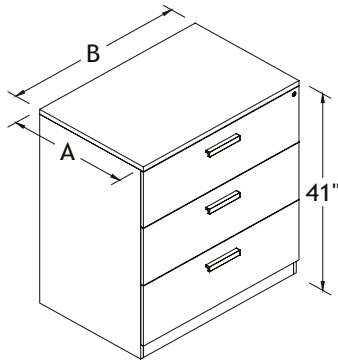
Storage Furniture

Lateral File Cabinets

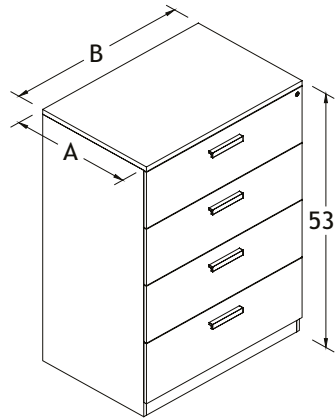
CL2



CL3



CL4



Manufacturing Standards

- 2, 3 or 4 legal size lateral filing drawers;
- H052CHR handles;
- Satin nickel locks;
- Crossbars;
- Counterweight (CL2 only).

Handles: For handles other than H052CHR standard, please choose from the Logiflex list at no extra charge.

Prices

CL2 - 2 lateral filing drawers

Dimensions A B	Front Finish Std
24 30	1294
24 36	1381

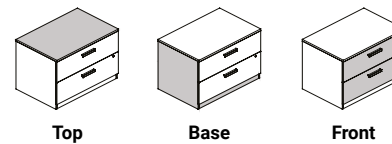
CL3 - 3 lateral filing drawers

Dimensions A B	Front Finish Std
24 30	1922
24 36	2016

CL4 - 4 lateral filing drawers

Dimensions A B	Front Finish Std
24 30	2508
24 36	2610

Combination of Colors

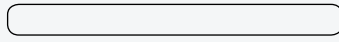


How to Order

RE	AB	CL	2 3 4	Combination of Colors <i>See the Logiflex Color Chart (p. 11)</i>		
series	dimensions	code	drawers	top	base	front

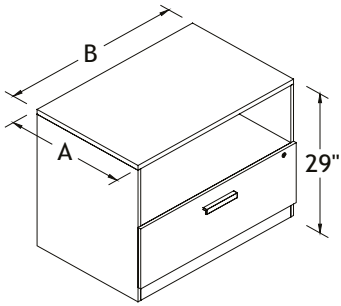
Example RE 2436 CL 3 W W SW

Storage Furniture

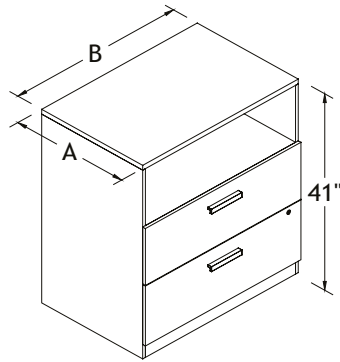


Multiple Units

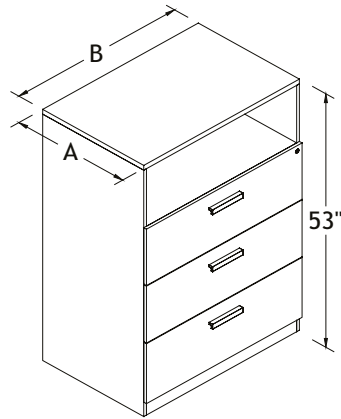
UC1



UC2



UC3



Manufacturing Standards

- Open storage with 11" interior height;
- 1, 2 or 3 lateral filing drawers;
- H052CHR handles;
- Counterweight (UC1 and UC2)
- Satin nickel lock.

Handles: For handles other than H052CHR standard, please choose from the Logiflex list at no extra charge.

Prices

UC1 - 1 open storage, 1 lateral filing drawer

Dimensions A B	Front Finish Std
24 30	1183
24 36	1234

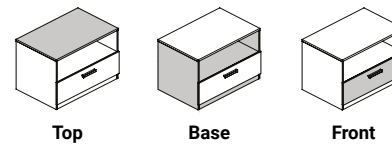
UC2 - 1 open storage, 2 lateral filing drawers

Dimensions A B	Front Finish Std
24 30	1796
24 36	1912

UC3 - 1 open storage, 3 lateral filing drawers

Dimensions A B	Front Finish Std
24 30	2336
24 36	2511

Combination of Colors



How to Order

RE	AB	UC	1 2 3	Combination of Colors <i>See the Logiflex Color Chart (p. 11)</i>		
series	dimensions	code	drawers	top	base	front
RE	2436	UC	2	W	W	SW

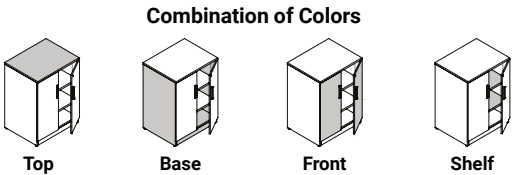
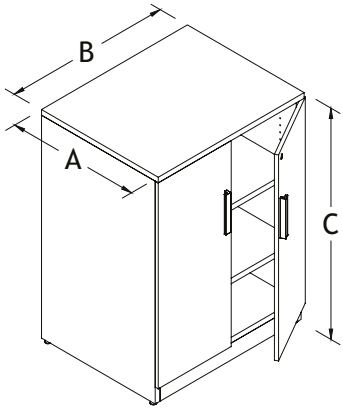
Example RE 2436 UC 2 W W SW

Storage Furniture



Cabinets with 2 Laminate Doors

AR



Manufacturing Standards

- 2 laminate doors;
- H052CHR handles;
- Satin nickel lock;
- Adjustable shelves;
- Shelf brackets;
- 5/8" laminate back.

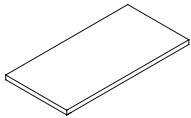
Adjustable Shelves:
 29" high: 1 adjustable shelf;
 41" high: 2 adjustable shelves;
 53" high: 3 adjustable shelves.

Handles: For handles other than H052CHR standard, please choose from the Logiflex list at no extra charge.

Additional adjustable shelves (SH): see Appendix D for prices, p. 13

Options

Adjustable Shelves



Prices

Dimensions			Front Finish
A	B	C	Std
24	30	29	1099
24	36	29	1144
<hr/>			
24	30	41	1304
24	36	41	1347
<hr/>			
24	30	53	1509
24	36	53	1572

How to Order

Combination of Colors

See the Logiflex Color Chart (p. 11)

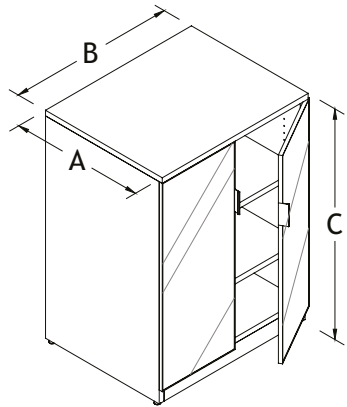
ABC							
RE		AR					
series	dimensions	code	top	base	front	shelf	

Example RE 243641 AR W W SW W

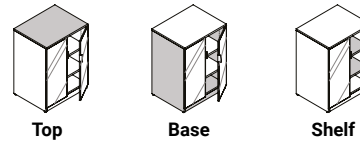
Storage Furniture

Cabinets with 2 Glass Doors

AR - Glass Doors



Combination of Colors



Manufacturing Standards

- Aluminum-frame doors with white glass (V4) and built-in aluminum handles;
- Soft-close doors;
- Adjustable shelves;
- Shelf brackets;
- 5/8" laminate back.

Adjustable Shelves:

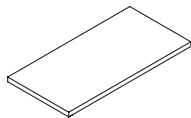
- 29" high: 1 adjustable shelf;
- 41" high: 2 adjustable shelves;
- 53" high: 3 adjustable shelves.

Glass: If the choice of glass is not specified, the standard is white glass (V4). For other choices of glass, consult the Logiflex color chart.

Additional adjustable shelves (SH): see Appendix D for prices, p. 13

Options

Adjustable Shelves



Prices

Dimensions			
A	B	C	
24	30	29	2094
24	36	29	2251
24	30	41	2529
24	36	41	2744
24	30	53	3124
24	36	53	3391

How to Order

ABC			VS PL V4 (std)	Combination of Colors <i>See the Logiflex Color Chart (p. 11)</i>		
RE		AR				
series	dimensions	code	glass (p. 11)	top	base	shelf

Example RE 243641 AR V4 W W W

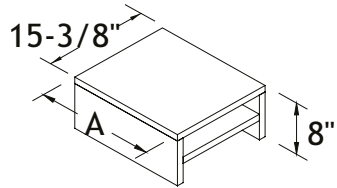
Storage Furniture



Pigeonhole Units

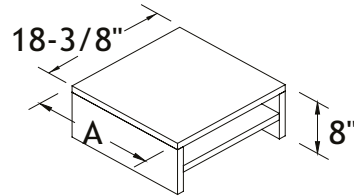
PG

Letter Size

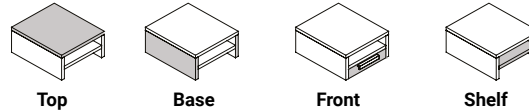


PGX

Legal Size



Combination of Colors

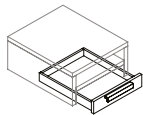


Manufacturing Standards

- 3" interior height in each pigeonhole;
- Frame is 1" laminate;
- Shelf and back 5/8" laminate.

Options

Drawer



DR
\$310

Prices

Dimensions

A	Code
16 PG	452
16 PGX	472

How to Order

	A	PG PGX	DR	Combination of Colors <i>See the Logiflex Color Chart (p. 11)</i>			
RE	16						
series	dimensions	code	drawer	top	base	front	shelf

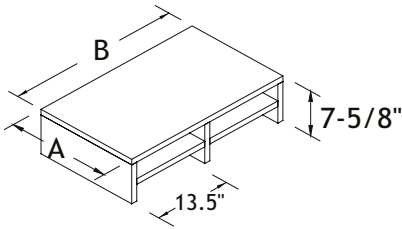
Example RE 16 PG DR SW SW W-H SW

Storage Furniture

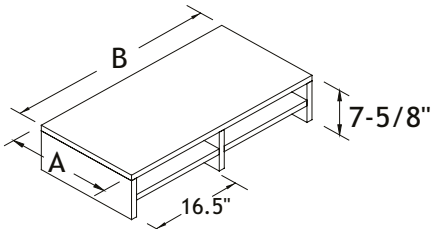


Pigeonhole Units

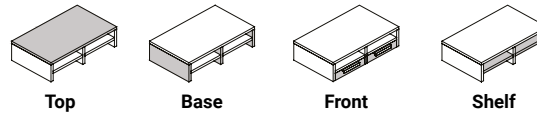
PG30



PG36



Combination of Colors

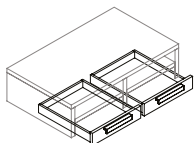


Manufacturing Standards

- 3" interior height in each pigeonhole;
- Frame is 1" laminate;
- Shelf and back 5/8" laminate.

Options

Drawer



DR
\$620

Prices

Dimensions	
A	B
16 30	780
16 36	816

How to Order



Combination of Colors

See the Logiflex Color Chart (p. 11)

RE	A	PG	B	DR	top	base	front	shelf
series	dimensions	code	dimensions	drawer				
RE	16	PG						

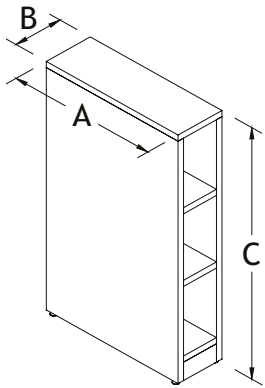
Example RE 16 PG 30 DR SW SW W-H SW

Storage Furniture



Vertical Pigeonhole Units

PGV



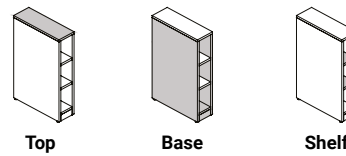
Manufacturing Standards

- On levelers;
- Frame is 1" laminate;
- 2 fixed shelves 1" laminate;
- Back 5/8" laminate.

Prices

Dimensions		
A	B	C
24	08	41
		776

Combination of Colors



Top

Base

Shelf

How to Order

Combination of Colors
 See the Logiflex Color Chart (p. 11)

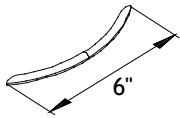
RE	ABC	PGV			
series	dimensions	code	top	base	shelf
Example RE	240841	PGV	SW	SW	W

Accessories

Handles

HJA

Handle

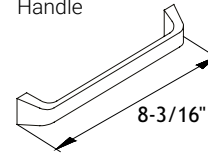


- 6" metal handle;
- 5-1/32" (128mm) center to center.

Code	\$	Description
HJA	15	<i>Satin Nickel</i>
HJAB	15	<i>Black</i>

H070

Handle

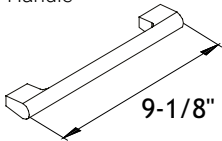


- 8-3/16" metal handle;
- 7-1/2" (190.5mm) center to center.

Code	\$	Description
H070BN	15	<i>Brushed Nickel</i>
H070CHR	15	<i>Chrome</i>

H011

Handle

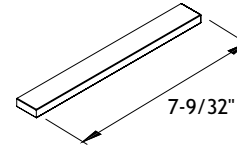


- 9-1/8" metal handle;
- 8-13/16" (224mm) center to center.

Code	\$	Description
H011	15	<i>Satin Nickel</i>

H071

Handle

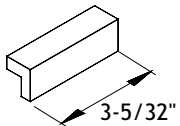


- 7-9/32" metal handle;
- 6-5/16" (160.338mm) center to center.

Code	\$	Description
H071CHR	15	<i>Chrome</i>
H071BN	15	<i>Brushed Nickel</i>
H071BL	15	<i>Black</i>
H071WH	15	<i>White</i>

H051

Handle

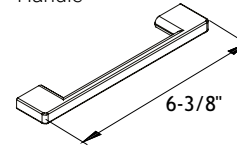


- 3-5/32" metal handle;
- 2-17/32" (64mm) center to center.

Code	\$	Description
H051CHR	15	<i>Chrome</i>
H051SN	15	<i>Satin Nickel</i>
H051BL	15	<i>Black</i>
H051WH	15	<i>White</i>

H072

Handle

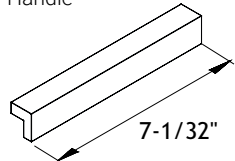


- 6-3/8" metal handle;
- 5-1/32" (127.8mm) center to center.

Code	\$	Description
H072CHR	15	<i>Chrome</i>
H072BL	15	<i>Black</i>
H072WH	15	<i>White</i>

H052

Handle

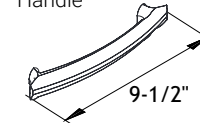


- 7-1/32" metal handle;
- 6-9/32" (160mm) center to center.

Code	\$	Description
H052CHR	15	<i>Chrome</i>
H052SN	15	<i>Satin Nickel</i>
H052BL	15	<i>Black</i>
H052WH	15	<i>White</i>

SXP002

Handle

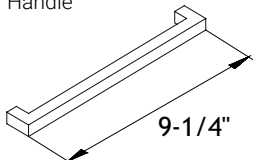


- 9-1/2" metal handle;
- 7-9/16" (192mm) center to center.

Code	\$	Description
SXP002	15	<i>Satin Nickel</i>

H060

Handle

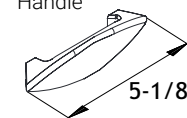


- 9-1/4" metal handle;
- 8-3/4" (222.25mm) center to center.

Code	\$	Description
H060BN	15	<i>Brushed Nickel</i>
H060CHR	15	<i>Chrome</i>

SXP003

Handle



- 5-1/8" metal handle;
- 3-25/32" (96mm) center to center.

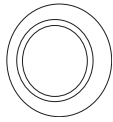
Code	\$	Description
SXP003	15	<i>Satin Nickel</i>

Accessories

Lighting

INT TOM

Touch Dimmer Switch



- Touch dimmer switch in aluminum finish with light ring.

Code	\$	Description
INT TOM	292	

NDP02475

Power Supply



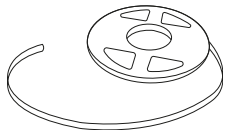
- 1x power supply to connect up to 20';
- 75W ultra-slim 24V LED power supply;
- 39" primary power cord and 38" secondary cord for connection to the LED light.



Code	\$	Description
NDP02475	265	

DELCOB 4000

Micro 24 LED Strip

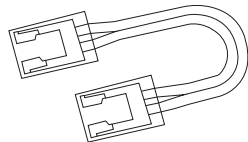


- 24V flexible LED adhesive strip;
- Neutral white;
- Length : 196";
- Allow 72 hours once the tape is applied before turning the light on;

Code	\$	Description
DELCOB 4000	137	

DELKLIPU

5-1/2" Joint

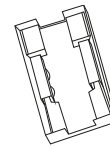


- Straight connector for linking two strip ends;
- Length : 5-1/2".

Code	\$	Description
DELKLIPU	41	

DELKLIP

Straight Connector

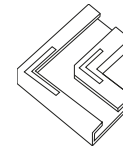


- Straight connector for linking two ends of the strip

Code	\$	Description
DELKLIP16		

DELKLIPL

L-shaped Connector

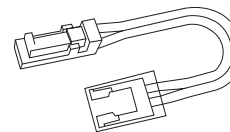


- Straight connector for linking two strip ends at a 90-degree angle.

Code	\$	Description
DELKLIPL	18	

DELCAB

Micro 24 Connector

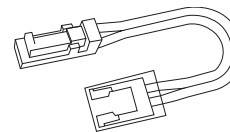


- 24V micro connector for LED strip;
- Length : 11-3/4".

Code	\$	Description
DELCAB	36	

DELKLIPJ

Micro 24 Connector



- 24V micro connector for LED strip;
- Length : 79".

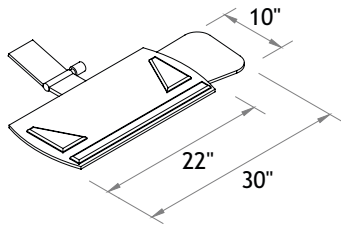
Code	\$	Description
DELKLIPJ	63	

Accessories

Keyboard Trays

KB360M

Keyboard Tray

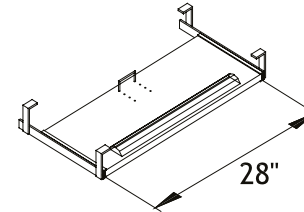


- Black plastic 24-1/2" wide retractable ergonomic keyboard;
- Lift-N-Lock spring system (no lever) to adjust height;
- Handle for easy tilt adjustment from 10° to 15°;
- 10" x 7-1/2" mouse tray;
- 19" black gel wrist rest;
- 360° rotation.

Code	\$	Description
KB360M	627	

KBMODR

Keyboard Tray

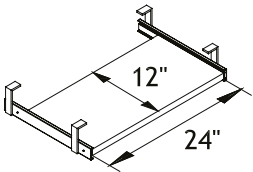


- 28" wide keyboard tray;
- 1" thick laminate;
- Adjustable height from 1-3/4 to 2-3/4" / additional 2" for slides;
- Black gel wrist rest / depth-adjustable stop handles.

Code	\$	Description
KBMODR	322	

KB

Keyboard Tray

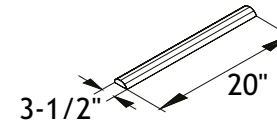


- 24" wide keyboard tray only;
- 5/8" and 1" thick laminate;
- Adjustable height from 1-3/4" to 2-3/4" / additional 2" for slides.

Code	\$	Description
KB	198	1" thick laminate
KBT	187	5/8" thick laminate

AP

Wrist Rest

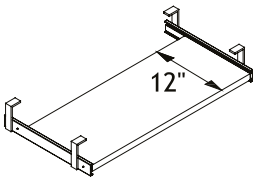


- Black gel wrist rest.

Code	\$	Description
AP	76	

KBMOD

Keyboard Tray



- Keyboard tray, available in lengths from minimum 24" to maximum 30";
- 5/8" and 1" thick laminate;
- Adjustable height from 1-3/4 to 2-3/4" / additional 2" for slides.

Code	\$	Description
KBMOD	235	1" thick laminate
KBMODT	225	5/8" thick laminate

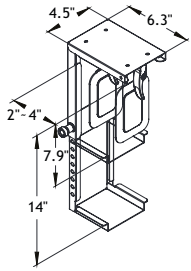
To order, for example a 27" long keyboard tray, 5/8" thick laminate: KBMODT27

Accessories

CPU Holders

MCPU50

Miniature CPU Holder

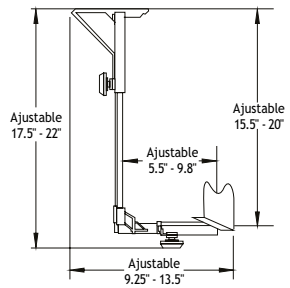


- Height adjustable: 8" - 14";
- Width adjustable: 2" - 4";
- Maximum capacity: 10 kg (22 lbs);
- Need a minimum 5" deep clearance.

Code	\$	Description
MCPU50	184	

MCPU90

CPU Holder

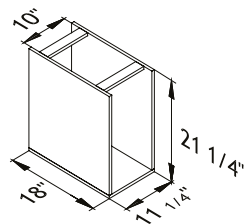


- Black metal CPU holder;
- Easy manipulation;
- Vertical adjustment:
 - Height: 15.5" x 20"
 - Width: 5.5" x 9.8"
- Horizontal adjustment:
 - Height: 17.5" x 22"
 - Width: 9.25" x 13.5"

Code	\$	Description
MCPU90	221	<i>per unit</i>

CPUIND

CPU Holder



- 5/8" thick laminate CPU holder;
- 10" x 20" interior

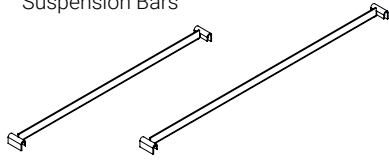
Code	\$	Description
CPUIND	188	<i>per unit</i>

Accessories

Miscellaneous Accessories

SB

Suspension Bars

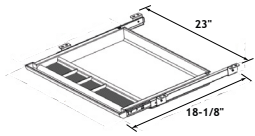


- Short suspension bars: 1 or 2 suspension bars for a left/right filing for a regular file drawer;
- Long suspension bars: 1 or 2 suspension bars for a front/back filing for a lateral file drawer.

Code	\$	Description
SBV1	7	1 short suspension bar
SBV2	14	2 short suspension bars
SBH1	7	1 long suspension bar
SBH2	14	2 long suspension bars

TCPM

Sliding Drawer

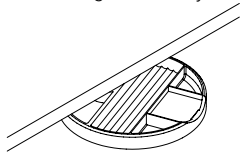


- Black plastic sliding drawer with steel ball bearing slides.

Code	\$	Description
TCPM	198	

SWV

Swivel Organizer Tray

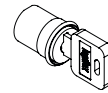


- Storage drawer that rotate 360 degrees;
- Mounts flush to the edge;
- Dimensions: 8-1/4"D x 13-5/8"W x 1-3/8"H.

Code	\$	Description
SWV	68	

LK

Lock



- Finish: Satin nickel and black;
- To order a lock separately, specify if it's a drawer lock (LKSNF or LKBFLF) or a door lock (LKSNP or LKBLP);
- To order a factory installed lock, add (LKSN) or (LKBL) after the product code on which lock will be installed.

Code	\$	Description
LKSN	46	Satin Nickel lock (factory installed)
LKBL	46	Black lock (factory installed)

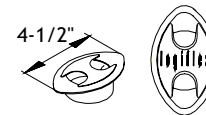
LKSNF	29	Satin Nickel front lock
LKBFLF	29	Black front lock

LKSNP	29	Satin Nickel door lock
LKBLP	29	Black door lock

KEY	21	Set of 2 keys - #501 - 600
SERR 010	21	1 master key

ELPF

Black Plastic Grommet

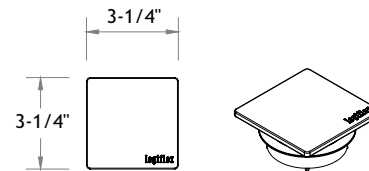


- Standard black plastic grommet with the Logiflex logo engraved;
- 2-1/2" diameter cutout.

Code	\$	Description
ELPF	5	Unit price

C_PF

Grommet



- Square metal grommet with the Logiflex logo engraved;
- Finish: Satin Nickel, Black and Chrome;
- 2-1/2" diameter cutout.

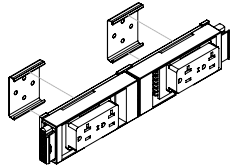
Code	\$	Description
CAPF	28	Unit price - Satin Nickel
CBPF	28	Unit price - Black
CCPF	28	Unit price - Chrome
CDPF	28	Unit price - White

Accessories

Electrical Accessories

BE-KDHB-1

Single sided power block (1)



Set including:

- Single sided power block (1);
- 2 Duplex -1 circuit;
- 2 mounting plates;
- Max. 10 duplex per circuit (5 double half power block BE-KDHB-1).

Code	\$	Description
------	----	-------------

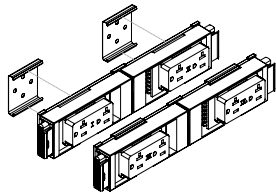
BE-KDHB-1-BL	213	
--------------	-----	--

BE-KDHB-1-WH	225	
--------------	-----	--



BE-KDHB-4

Single sided power block (2)



Set including:

- Single sided power block (2);
- 4 Duplex -1 of each circuit;
- 4 Mounting plates;
- Max. 40 duplex (20 double half power block).

Code	\$	Description
------	----	-------------

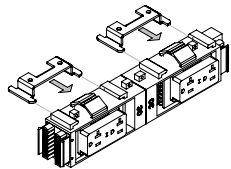
BE-KDHB-4-BL	427	
--------------	-----	--

BE-KDHB-4-WH	438	
--------------	-----	--



BE-KDBSM-1

Double sided power block



Set including:

- Double sided power block;
- 4 duplex -1 circuit;
- 2 slide mounting brackets;
- Max. 10 duplex per circuit (2 double power block).

Code	\$	Description
------	----	-------------

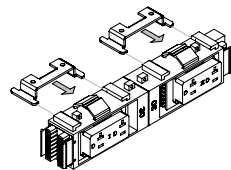
BE-KDBSM-1-BL	399	
---------------	-----	--

BE-KDBSM-1-WH	418	
---------------	-----	--



BE-KDBSM-4

Double sided power block



Set including:

- Double sided power block;
- 4 duplex -1 of each circuit;
- 2 slide mounting brackets;
- Max. 40 duplex (10 double power block).

Code	\$	Description
------	----	-------------

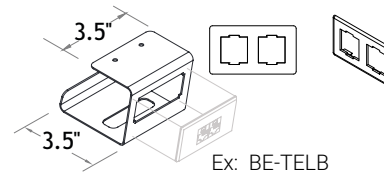
BE-KDBSM-4-BL	399	
---------------	-----	--

BE-KDBSM-4-WH	418	
---------------	-----	--



SMWM

Cable Support



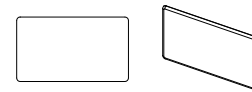
- 3.5" metal wire support with 1 telecom plate cutout;
- Satin nickel finish.

Code	\$	Description
------	----	-------------

SMWM	31	
------	----	--

BE-TELA

Telecom plate



- Blank plate;
- 3-1/8" x 1-3/4";
- Colors: Black, White and Satin nickel;
- To be used with the APB, APF or AP2 cover plate option of the supply walls.

Code	\$	Description
------	----	-------------

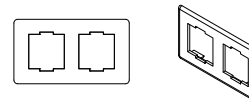
BE-TELA-BL	5	
------------	---	--

BE-TELA-WH	5	
------------	---	--

BE-TELA-SN	5	
------------	---	--

BE-TELB

Telecom plate



- 2 spaces to install connection ports;
- 3-1/8" x 1-3/4";
- Adapter included.
- Colors: Black, White and Satin nickel.

Code	\$	Description
------	----	-------------

BE-TELB-BL	5	
------------	---	--

BE-TELB-WH	5	
------------	---	--

BE-TELB-SN	5	
------------	---	--

BE-HW

Hardwired conduit power entry



- * To be connected to an electrical box by an electrician.
- 8 wires - 4 circuits 20A;
- For 8 trac system;
- Bare wires at one end
- Male end.

Code	\$	Description
------	----	-------------

BE-HW-72	195	8 wire, 4 circuit - 72"L
----------	-----	--------------------------

BE-HW-84	213	8 wire, 4 circuit - 84"L
----------	-----	--------------------------

BE-HW-96	236	8 wire, 4 circuit - 96"L
----------	-----	--------------------------

BE-HW-120	276	8 wire, 4 circuit - 120"L
-----------	-----	---------------------------

BE-HW-180	407	8 wire, 4 circuit - 180"L
-----------	-----	---------------------------

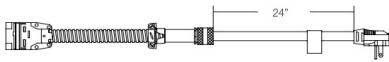
Accessories



Electrical Accessories

BE-PI72

Corded Power entry



- Corded power entry of 72";
- Right angle 20 Amp plug;
- Male end;
- 1 circuit 20A;
- Must be plug on 20A outlet

Code	\$	Description
BE-PI72	242	

BE-NYHW

NYC flex hardwired power infeed



- * To be connected to an electrical box by an electrician.
- 8 wires - 4 circuits 20 A;
- Bare wires at one end;
- For 8 trac system;
- Male end.

Code	\$	Description
BE-NYHW-72	440	
BE-NYHW-84	461	
BE-NYHW-96	481	
BE-NYHW-108	503	
BE-NYHW-120	524	

BE-J

M/M jumper

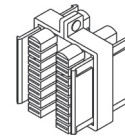


- Non-ajustable;
- 8 wire - 4 circuits;
- M/M;
- For 8 trac system;
- Minimum 12" - Maximum 216".

Code	\$	Description
BE-J12	124	8 wire cable / 4 circuit - 12"L
BE-J18	133	8 wire cable / 4 circuit - 18"L
BE-J24	141	8 wire cable / 4 circuit - 24"L
BE-J36	152	8 wire cable / 4 circuit - 36"L
BE-J42	164	8 wire cable / 4 circuit - 42"L
BE-J48	174	8 wire cable / 4 circuit - 48"L
BE-J54	181	8 wire cable / 4 circuit - 54"L
BE-J60	196	8 wire cable / 4 circuit - 60"L
BE-J66	204	8 wire cable / 4 circuit - 66"L
BE-J72	214	8 wire cable / 4 circuit - 72"L
BE-J78	224	8 wire cable / 4 circuit - 78"L
BE-J84	237	8 wire cable / 4 circuit - 84"L
BE-J96	256	8 wire cable / 4 circuit - 96"L
BE-J120	300	8 wire cable / 4 circuit - 120"L
BE-J216	557	8 wire cable / 4 circuit - 216"L

BE-HC

Harness connector F/F

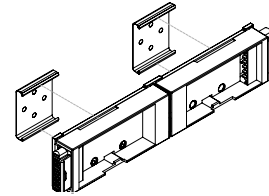


- Used to connect jumper cables and blocks together;
- 1-1/2" x 2-1/4".

Code	\$	Description
BE-HC	56	

BE-DHB

Single sided power block

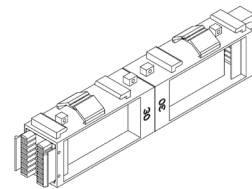


- Maximum of 2 duplex per block;
- Includes mounting plates ;
- F/F ;
- For 8-trac system ;
- Duplex ordered separately.

Code	\$	Description
BE-DHB	111	

BE-DBSM

Double sided power block



- Maximum of 4 duplex per block;
- For 8-trac system ;
- Slide mounting sold separately ;
- F/F ;
- Duplex ordered separately.

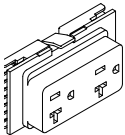
Code	\$	Description
BE-DBSM	160	

Accessories

Electrical Accessories

BE-D20-C

Duplex

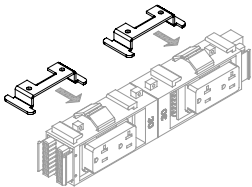


- 20 Amp;
- Height 1-1/18";
- For BE-DHB & BE-DBSM blocks ;
- Colors: Black or white ;
- Maximum of 10 Duplex per circuit.

Code	\$	Description
BE-D20-C-1-BL	50	Circuit 1 - 20A - Black
BE-D20-C-2-BL	50	Circuit 2 - 20A - Black
BE-D20-C-3-BL	50	Circuit 3 - 20A - Black
BE-D20-C-4-BL	50	Isolated Circuit 4 - 20A - Black
BE-D20-C-1-WH	58	Circuit 1 - 20A - White
BE-D20-C-2-WH	58	Circuit 2 - 20A - White
BE-D20-C-3-WH	58	Circuit 3 - 20A - White
BE-D20-C-4-WH	58	Isolated Circuit 4 - 20A - White

BE-SM58-2

Slide mount bracket

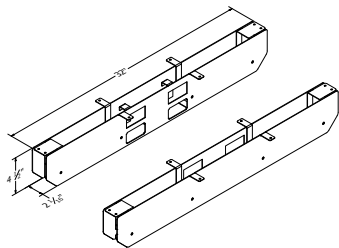


- 2 brackets;
- Only for the double power block (BE DBSM);
- 5/8" height;
- Screws included.

Code	\$	Description
BE-SM58-2	35	

BE-WMS-32

Power and data cable support single sided (1)

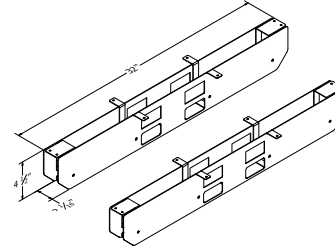


- 32" metal wire management system for power block BE-DHB and 2 telecom plate cutouts
- Channel to isolate power cables from data cables.
- Screws included to install the channel under a top.
- Power block, duplexes and telecom plates not included
- Colors : Black or white.

Code	\$	Description
BE-WMS-32-BL	279	Black
BE-WMS-32-WH279		White

BE-WMD-32

Power and data cable support double sided (1)



- 32" metal wire management system for power block BE-DBSM and 4 telecom plate cutouts.
- Channel to isolate power cables from data cables.
- Screws included to install the channel under a top.
- Power block, duplexes and telecom plates not included
- Colors : Black or white.

Code	\$	Description
BE-WMD-32-BL	279	Black
BE-WMD-32-WH279		White

WM

Velcro Tie

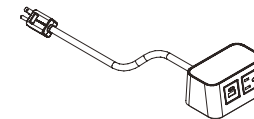


- Velcro tie for electrical cable;
- The non-metallic buckle is safe to use around electrical devices;
- Dimensions: 3/4" x 10";
- Color: black.

Code	\$	Description
WM	14	Unit price
WMS	15	with #8, 9/16" Robertson screw, per unit

BR1

Branch unit

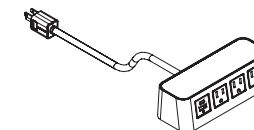


- 1 power outlet / 1 dual charger USB-a+c;
- Table top with braided storm 120 IN power cord.

Code	\$	Description
BR1BL	515	Black
BR1WH	515	White

BR2

Branch unit



- 3 power outlet / 1 dual charger USB-a+c;
- Table top with braided storm 120 IN power cord.

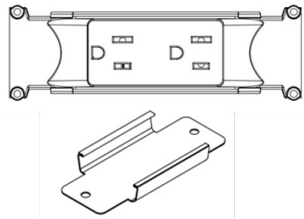
Code	\$	Description
BR2BL	660	Black
BR2WH	660	White

Accessories

Electrical Accessories

BE1-DMB

Duplex Receptacle with Mounting Bracket

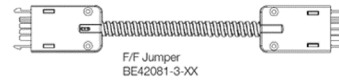


- Duplex receptacle 15 Amps;
- Metal mounting kit included;
- M/M;
- For system 1 circuit 15 Amps;
- Maximum of 8 duplex per circuit.

Code	\$	Description
BE1-DMB	71	

BE1-J

Jumper F-F

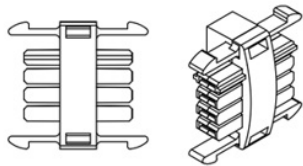


- F/F jumper cable;
- Not adjustable;
- For system 1 circuit 15 Amps;
- Minimum 60" - Maximum 120".

Code	\$	Description
BE1-J18	77	Cable - 18"L
BE1-J36	92	Cable - 36"L
BE1-J48	107	Cable - 48"L
BE1-J60	119	Cable - 60"L
BE1-J72	135	Cable - 72"L
BE1-J120	179	Cable - 120"L

BE1-DC

Connector F/F between Duplex

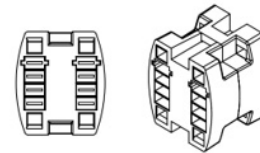


- Used to connect duplex to duplex;
- F/F;
- For system 1 circuit 15 Amps.

Code	\$	Description
BE1-DC	16	

BE1-HC

H-Connector M/M

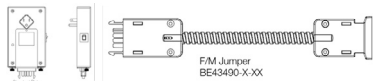


- H-connector M/M;
- Used to connect jumper cables F/F;
- For system 1 circuit 15 Amps.

Code	\$	Description
BE1-HC	27	

BE1-PI

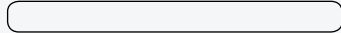
Corded Power Infeed 15 Amps



- Corded power infeed with 15 Amps plug (in 2 section);
- Female end;
- For system 1 circuit 15 Amps;
- Minimum 72" - Maximum 120".

Code	\$	Description
BE1-PI72	552	
BE1-PI120	605	

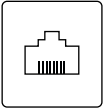
Accessories



Electrical Accessories

POR 01

RJ45, CAT 6 connectivity port



- RJ45, CAT6 connector;
- RJ45 M/F cable - 72";
- Finish: Black.

Code	\$	Description
POR 01	153	

POR 04

HDMI connectivity port

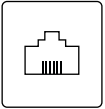


- HDMI connector;
- HDMI F/F cable - 18";
- Finish: Black.

Code	\$	Description
POR 04	141	

POR 02

RJ11 connectivity port

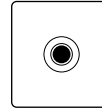


- RJ11 connector, 4 pin
- RJ11 M/F cable - 84";
- Finish: Black.

Code	\$	Description
POR 02	45	

POR 05

Mini Stereo Jack

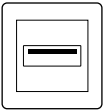


- 3.5 mm Mini Stereo Jack, M/F;
- Audio M/F cable -120";
- Finish: Black.

Code	\$	Description
POR 05	50	

POR 03

USB connectivity port

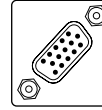


- 1 USB (data/passive);
- USB M/F cable - 72";
- Finish: Black.

Code	\$	Description
POR 03	95	

POR 06

VGA Connector



- VGA connector, 15 pin;
- VGA M/F cable -120";
- Finish: Black.

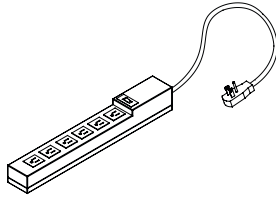
Code	\$	Description
POR 06	177	

Accessories

Electrical Accessories

PBL

Power bar



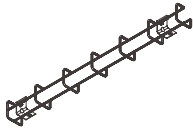
- Power bar with 6 electric outlets;
- 120" power cable with electric plug.



Code	\$	Description
PBL	66	

CT

Metal cable tray

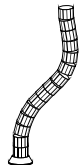


- Metal cable tray
- In stainless steel;
 - Dimensions: 2x4; Interior dimensions: 1-7/8"D x 1-7/8"H
 - Length of 24" and 118" (118" can be cut on site).
 - With mounting hardware

Code	\$	Description
CT24	103	
CT118	219	

SPINE

Wire Management Spine

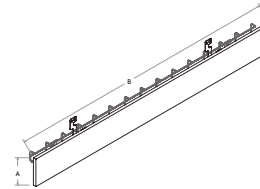


- 2" diameter;
- Gray plastic.

Code	\$	Description
SPINE	172	

CTCOVER

Laminate cover



- Laminate cover for cable tray;
- Mounting brackets;
- Dimension "B" is 1/4" recessed.

Code	\$	Description
49		6 x 30
58		6 x 36
63		6 x 42
69		6 x 48
74		6 x 54
82		6 x 60
88		6 x 66
94		6 x 72
100		6 x 78
107		6 x 84

DSG

Double-sided grommet

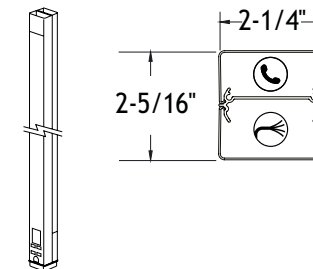


- Double-sided grommet
- Hole diameter: 2.5"
 - Use for electrical cable management with division panels. Drilling to be done by the installer.
 - Grommet to cut on site for desired thickness to cover;
 - Can not be cut with a simple utility knife, use a sharper and safer tool.

Code	\$	Description
DSG BL	25	Black
DSG WH	25	White

WMP

Wire Management Pole



- Blank steel pole to bring cables from the ceiling to a work station;
- Satin nickel finish with a grey boot base;
- 2 compartments: 1 power/1 communications
- Mounting hardware, entrance end plate and ceiling trim plate included;
- Wires and outlets not included;
- Height: 12' 5".

Code	\$	Description
WMP	485	

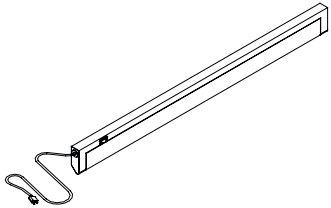
Accessories



Electrical Accessories

T5

Florescent task light



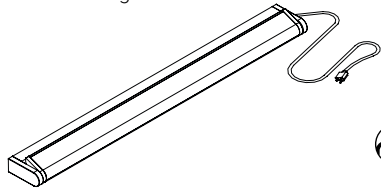
- Florescent lamp (T5) with swivel reflector and electronic ballast;
- 120" power cable with electric plug;
- 16" connection wire for T524, T536 or T548 florescent task lamps;
- Finish: Black and Satin Nickel



Code	S	Description
T524 BL	184	24" length - Black
T524SN	184	24" length - Satin Nickel
T536 BL	244	36" length - Black
T536 SN	244	36" length - Satin Nickel
T548 BL	320	48" length - Black
T548 SN	320	48" length - Satin Nickel

DEL20

LED task light



- 20" LED task light, 7.5W, cool white;
- 180° swivel feature;
- 72" power cable with electric plug;
- 20" connection wire for DEL20 task lamps;
- Finish: Satin nickel.



Code	S	Description
DEL20	234	20" length

As our product line is constantly evolving and expanding, we recommend that you visit logiflex.ca for updates.

logiflex

1235 St-Roch N., Sherbrooke QC J1N 0H2 Canada
T : 1.877.864.9323 | F : 1.800.474.7830 | logiflex.ca

