

VOLT

Price List
CANADA 2025



logiflex

Table of Contents

Introduction	3	Tables and Desks	19	Storage	45
Update Summary	4	Rectangular Tables	20	Mobile Pedestals	46
Product Map	5	Rectangular Tables with Modesty	21	Wardrobes	48
Our social responsibility	7	Layering Tables	22	Cabinets	49
Conditions of Sale	7	Layering Tables with Modesty	23	Credenzas	50
Manufacturing Standards	8	Square Tables	25	Bookcase	51
How to Use the Price List	9	Secondary Desk	26	Wall Storage	52
Appendix A: Colors and Finishes	10	Bridges	27	Wall Panels	53
Appendix B: Surfaces and Edges	12	Conference Tables	28	Wall Shelves	55
Appendix C: Wood Grain	12	Square Tables - Coffee Height 18"H	29	Wall Hutches	56
Appendix D: Volt Handles	12	Round Tables - Coffee Height 18"H	30	Accessories	57
Appendix E: Wood Insert with Grommet	12	Rectangular Tables - Counter Height 36"H	31	Miscellaneous Accessories	58
Appendix F: Secondary Desk Pedestals	13	Rectangular Tables - Bar Height 42"H	32	Electrical Accessories	62
Appendix G: Tops for Pedestals and Cabinets	13	Modular Storage	33		
Appendix H: Utility and File Drawers	13	Independent Pedestals	34		
Appendix I: Locks	14	Independent Cabinet	38		
Appendix J: Drawer Fronts	14	Independent Bookcases	40		
Appendix K: Electrical Wire Management Solutions	14	Corner Legs	42		
Appendix L: Conference Tables	16	Back Panel	43		
		Tops for Independent Pedestals	44		

Update Summary

The Volt price list presents these principal modifications:

DATE	SECTION	MODIFICATIONS
March 3 2025	Tables and Desks	<ul style="list-style-type: none"> • Addition of coffee square (LST) and round (LRT) tables. • Addition of counter height 36"H (HT36) and bar height (HT42) tables.
	All the Price List	<ul style="list-style-type: none"> • All prices have been increased by approximately 3%.

Previous updates:

DATE	SECTION	MODIFICATIONS
December 10, 2024	Accessories	<ul style="list-style-type: none"> • Addition of the Shift double monitor arm with docking: SHIFT-2A.
October 8, 2024	Storage	<ul style="list-style-type: none"> • Addition of Volt credenzas and bookcase : CLOEP, OCLEP & BBLEP.
March 1, 2024	All the Price List	<ul style="list-style-type: none"> • All prices have been increased by approximately 5%.
November 22, 2023	Appendix A	<ul style="list-style-type: none"> • Removal of high gloss finish.
	Electrical accessories	<ul style="list-style-type: none"> • Addition of port USB A & C SQC. • Removal of the power bar F-714.
May 22, 2023	Storage	<ul style="list-style-type: none"> • Modification of manufacturing standards of the WS.
February 1, 2023	All the Price List	<ul style="list-style-type: none"> • All prices have been increased by approximately 5%.
July 1, 2022	All the Price List	<ul style="list-style-type: none"> • All prices have been increased by approximately 5%.
	Accessories	<ul style="list-style-type: none"> • Change of the Stiffener (RSTF) for stiffener (RSTF).
	Appendix A	<ul style="list-style-type: none"> • Color availability chart update for the HPL.

Introduction

Product Map

Tables and Desks

Tables p. 20	Layering Tables p. 22	Square Tables p. 25	Secondary Desks p. 26	Bridges p. 27
Conference Tables p. 28	Coffee Tables p. 29	High Tables p. 31		

Modular Storage

Independent Pedestals p. 34	Independent Cabinets p. 38	Legs and Backs p. 42	Tops p. 44
-----------------------------	----------------------------	----------------------	------------

Storage

Mobile Pedestals p. 46	Wardrobes p. 48	Cabinets p. 49	Credenzas for Height Adjustable Table p. 50	Bookcase for Height Adjustable Table p. 51
------------------------	-----------------	----------------	---	--

Introduction

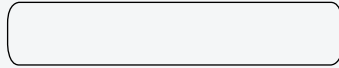


Product Map

Wall Panels and Storage

Wall Panels	p. 53
-------------	-------

Wall Hutches	p. 56
--------------	-------



Our social responsibility

At Logiflex, we have chosen to be a responsible North American manufacturer by implementing initiatives for sustainable development. As much as possible, we source local materials and partner with suppliers who prioritize clean manufacturing processes. We also consolidate goods during transport to reduce our fuel consumption and we continually make changes that help reduce our waste production.

The company is ISO 9001 certified. You can consult our eco-responsible approach as well as all our certifications in the [Certifications](#) section of our website. Find out how our products can help you obtain LEED credits and the Logiflex products that are Indoor Advantage Gold certified.

Conditions of Sale

Prices

The amounts listed in this document are suggested retail prices and may be changed without notice. Applicable taxes are not included. If you have an open and active account with Logiflex, merchandise will be invoiced at the prices prevailing at the time of shipment. A deposit may be requested if the opening of your account has not been completed or if your account has become inactive.

Terms of Payment

Net 30 days F.O.B. Sherbrooke, Quebec. The invoice will be assigned the shipping date and is payable 30 days from that date. Logiflex remains the owner of the merchandise until the invoice is paid in full.

Customized Products (Special Items)

Price requests for customized products or special items can be submitted via the ["Member Zone"](#) section of our website, at www.logiflex.ca. Our quotations department will study your request and send you a quotation and a technical drawing for approval as soon as possible. Modifications to quotations or technical drawings can be requested the same way. The approved quotation(s) and technical drawing(s) can then be attached to your purchase order.

Orders

An official purchase order must be issued for all purchases. Your purchase order must contain the following information:

- Your company letterhead
- Your reference number
- The delivery address (with contact name, email and phone number)
- The complete product codes
- Furniture colour(s)
- Quantities
- Descriptions
- Retail prices and net prices
- Project registration number (if applicable), and your approved quotation and technical drawing (for special items).

Please note that a quotation cannot serve as a purchase order.

Returns

All returns must first be approved by Logiflex. If the return is accepted, a Logiflex customer service representative will send you an official return authorization form in order to facilitate procedures between you, the carrier, and the Logiflex merchandise reception clerk. Additional costs for shipping or other expenses may be applied following any merchandise returns.

Modifications and/or Cancellations

You have 48 hours from the time we acknowledge receipt of your order to make any requests for corrections or modifications. You may cancel your order during this same 48-hour period. If you would like to modify or cancel your order after this 48-hour verification period, please check with a Logiflex customer service representative. Orders cannot be changed or cancelled if production has already begun or if Logiflex has already received the raw materials.

Liability

Logiflex's liability ends once the carrier has delivered all items in good condition. A delivery receipt signed by the customer acknowledges that the shipment is complete and has been received in good condition.

Claims

Logiflex recommends inspecting the shipment before signing the carrier's delivery receipt. You must notify Logiflex of any incomplete shipments or damaged furniture within 30 days after delivery. Requests to replace damaged products can be made via the ["Member Zone"](#) section of our website, at www.logiflex.ca. Our after-sales service department will examine your request and help you correct the situation.

Changes

Logiflex reserves the right to make changes to the materials, accessories, components, specifications and designs, and to discontinue collections and/or models, at any time and without prior notice.

Storage and/or Shipping Fees

According to the terms Logiflex set forth in the transport policy. The transport policy can be consulted online in the Private Space.

Items Delivered Disassembled

Some items are delivered disassembled, such as tables, secondary desks and bridges.

Warranty

Logiflex guarantees to the original purchaser that Logiflex products are free from defects in design, materials and workmanship for the product's lifetime, with certain exceptions.

You may consult the full warranty on the website: [Logiflex Warranty](#)

Introduction



Manufacturing Standards

Product Dimensions

For display purposes, the furniture dimensions represented in the price tables on each product page are rounded to the nearest whole number.

Tables and Desk Tops

Tops are made of 1" thick laminate or Monochrom high pressure laminate, the interior of which is engineered with 45-lb / ft³ industrial grade engineered wood.

Wood Pieces

Cherry wood is used for all wood components. A selection of 12 varnish and stain colors are offered for all the pieces of wood. Please refer to the . When a wood color is chosen, all the wood elements will be the same color, the legs, the modesty, the apron and the wood inserts with grommets.

Handles

As a standard, all fronts and doors in the Volt collection have integrated wood handles with knife edge. For independent pedestals and cabinets, the wooden handle is positioned horizontally on the top of the front or door. For single door wardrobes and cabinets, the wooden handle is vertical on the opening side. It is possible to change the wooden handles for Logiflex's H071 and H072 handles.

Grommets

The wood inserts with grommets consists of a wooden slat inserted the full depth of the table and pedestal tops. They can be positioned on the left, right or both sides.

Wood Apron

The wooden apron is 3 1/2" from the edge, and measures 2-1/2" high.

Modesty Panels

The modesties are composed of lightweight honeycomb board panels comprised of 2 recycled wood fiber panels. They are available in 2 choices of materials: in cherry wood with the same selection of colors as the wood pieces and in felt. See [Appendix A](#) for further details.

Pedestal Tops

Tops are made of 1" thick laminate or Monochrom high pressure laminate, the interior of which is engineered with 45-lb / ft³ industrial grade engineered wood. Tops allow the flexibility to configure independent pedestals, cabinets, legs and backs. Depths are made to match the 20" and 24" pedestals and cabinets. The length will be determined by the independent pedestals and cabinets that are chosen.

Locks

A lock can be added as an option. They are offered in Satin Nickel and Black finishes.

Drawers

All drawer interiors are constructed of 7/16" black panels and all drawer bottoms are made of 1/8" masonite panels.

Drawer Fronts

As a standard, all fronts and doors in the Volt collection have integrated wood handles with knife edge on the pedestals.

Wood Grain

Wood grain runs lengthwise on surfaces and vertically on drawers, doors and legs. See [Appendix E](#) for further details.

Levelers

All freestanding furniture sit on 1" in diameter, white nylon levelers, allowing for up to 1-1/4" height adjustment.

Support Bars

The support bar is centered at 12" to the visitor side of the top is included (see the manufacturing standards of the desk).

Introduction

How to Use the Price List

Interactive Menu
 Product line: Rectangular Tables, Layering Desks, Square Tables, Secondary Desks, Bridges
 Product group: Desks and Work Tables
 Product name: Rectangular Tables
 Product code: T

Product image
 Diagram of a rectangular table with dimensions A and B, and a height of 29".

Product Information
 Combination of Colors: Top, Wood

Manufacturing Standards
 • Delivered disassembled;
 • Rectangular top with knife edge contour;
 • Wood apron;
 • 4 wood legs;
 • White nylon levelers;
 • Height: 29".

Wood finishes: Available colors for legs, aprons and surface grommets: White Wash **WW**, Golden Wheat **GW**, Sand **SD**, Apricot **AT**, Pecan **PN**, Brandy **BR**, Chestnut **CT**, Coffee **CF**, Espresso **ES**, Bordeaux **BO**, Black Wash **BW** and Bark **BK**.

Options
 Cable Management Leg (ZIP1, \$\$)
 Wood Insert with Grommet (GRL, GRR, \$\$)
 Power Outlet Cutout (PLR, PU, PV, P, \$0)

How to Order
 VOMZ, VOZ (std), AB, T, ZIP1, GRL, GRR, NGR (std), PLR, PU, PV, Finishes (See the Logiflex Color Guide)

Prices
 Dimensions: A, B, VOZ, VOMZ
 36 54 **** **
 36 60 **** **
 36 66 **** **
 36 72 **** **
 36 78 **** **
 36 84 **** **
 42 54 **** **
 42 60 **** **
 42 66 **** **
 42 72 **** **
 42 78 **** **
 42 84 **** **
 48 54 **** **
 48 60 **** **
 48 66 **** **
 48 72 **** **
 48 78 **** **
 48 84 **** **

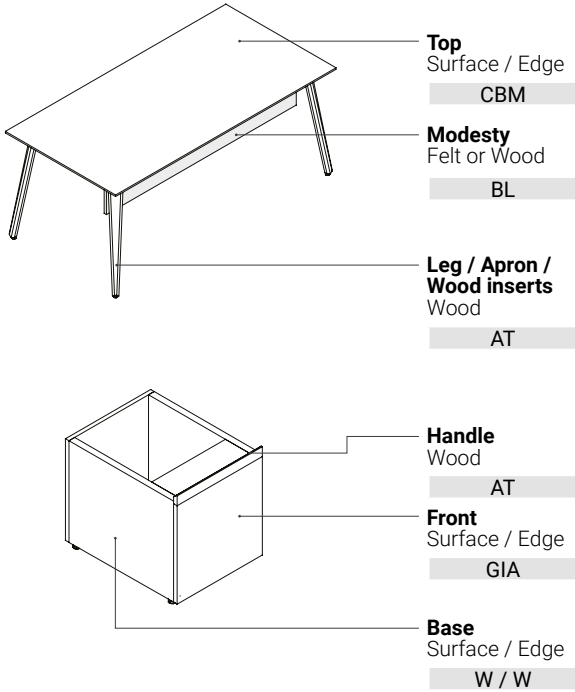
Standard Product Code
 Details as per the price listed

Options, if desired (\$)
 Always after the product code

Introduction

Appendix A: Colors and Finishes

How to specify your colors



Availability Chart

FINI FINISH	CODE	COLOR COULEUR	THICKNESS ÉPAISSEUR			HPL STRATIFIÉ	PANVAL CODE
			5/8"	1"	1-5/8"		
OMNIA	DOO	Dosha	•	•		•	K77
	COO	Cosmos	•	•		•	K78
AURA	GIA	Ginger Root Gingembre	•	•		•	H72
	HAA	Haze Brume	•	•	•	•	H57
	OHA	Ohm	•	•	•	•	K69
	STA	Storm Tempête	•	•	•	•	H58
	TUA	Tundra	•	•		•	H75
LYRA	ASY	Asha	•	•		•	K47
	CIY	Chiffon Mousseline **	•	•	•	•	K60
	KAY	Kali	•	•		•	K46
SUPERMAT	IGS	Ingot grey Gris lingot	•	•			828
	WGS	Willow grey Gris saule	•	•			802
DOLOMITE	AU	Audacity Audace **	•	•	•	•	241
	B	Jet Black Noir intense *	•	•		•	888 S405-CA
	BC	Brown cherry Cerisier brun	•	•	•	•	207
	C	Slate Ardoise *	•	•		•	801
	DR	Driftwood Bois de rive	•	•		•	744
	G	Mink Grey Gris vison	•	•		•	805 OU-927
	NM	Natural Maple Érable naturel	•	•	•	•	206
	PO	Porto	•	•		•	913 OU-648
	SW	Smoked Walnut Noyer fumé	•	•	•	•	G21
	TO	Tobacco	•	•		•	205
	W	Polar White Blanc polaire	•	•	•	•	555 459-CA
WK	Whisky	•	•	•	•	245	

* Non recommended color for work surfaces.

** For conference tables with 2 or more parts, we do not recommend the use of colors with irregular and contrasted woodgrain like Chiffon, Audacity or Coastal Pear as it results in a pronounced wood grain mismatch.

Colors may vary from 2% to 5% between tfl and hpl laminates due to different technical applications.

See our complete [Colors & Finishes Guide](#)

N New

Introduction

Appendix A: Colors and Finishes

12 Wood Stains

Logiflex offers varnish and stain selection among the following 12 colors on all wood applications.

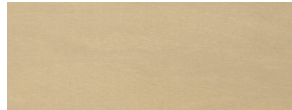
Knots and color variation can occur between different wood components of the same piece of furniture, or between different pieces of furniture. This variation is due to the natural characteristics of the wood, and is more contrasting for pale wood colors like Golden Wheat.



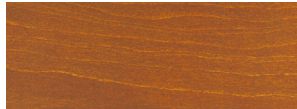
WW White Wash



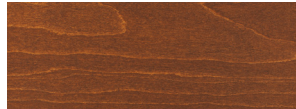
GW Golden Wheat



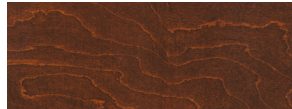
SD Sand



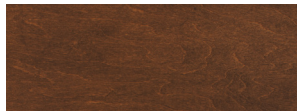
AT Apricot



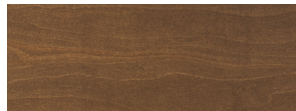
PN Pecan



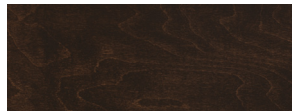
BR Brandy



CT Chestnut



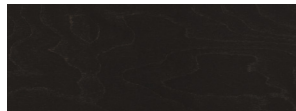
CF Coffee



ES Espresso



BO Bordeaux

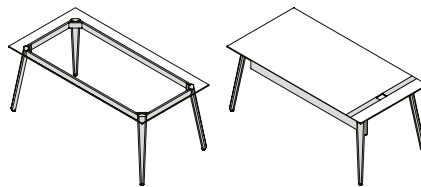


BW Black Wash



BK Bark

When a wood color is chosen, all wood elements are the same color, the legs, the modesty, the apron and the wood insert grommet.



- Due to its natural properties of wood, grain pattern and finish color variation can be expected.
- Although Logiflex offers great matches from laminate to wood, they are not exact due to grain pattern and sheen variation from laminate to wood. They coordinate throughout a floor plan, however we recommend they not be utilized on the same piece of furniture. See the [Closest match - Wood stain / Laminate](#) guide.
- Adding a new product to an existing installation might result in color variations due to light exposure.

3 Felt Colors for Modesties

Felt modesties are 1" panels covered with felt, are offered in a choice of 3 colors.



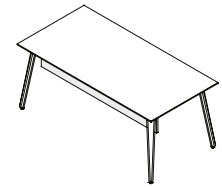
BL Blue



LG Light Gray

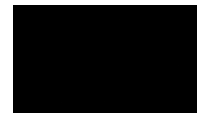


DG Dark Gray



Monochrom Colors

The Monochrom colors, Carbon and Chalk are available on all Volt tables tops.



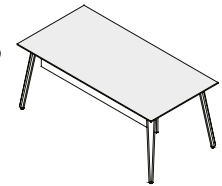
CBM Carbon



CKM Chalk

Note: It is not recommended to combine the following colors as they do not match:

- Carbon and Jet Black;
- Chalk and Polar White.



The Monochrom finish offers an ultra matte surface, low light reflectivity, anti-fingerprint finish and a soft-touch surface. This product can be easily cleaned and requires no special maintenance plan. In addition, the Monochrom finish is antibacterial and resists wear, abrasion, acids, bases and solvents.

- Matte finish, ultra-soft to the touch;
- Anti-fingerprints;
- Through-color core;
- Scratch resistant;
- Antibacterial.

For more information on the Monochrom finish, refer to the Material Data Sheet.

Metal Finishes

Metal finishes available for optional handles

- CHR** Chrome
- SN** Satin Nickel
- BL** Black
- BN** Brushed Nickel

Introduction

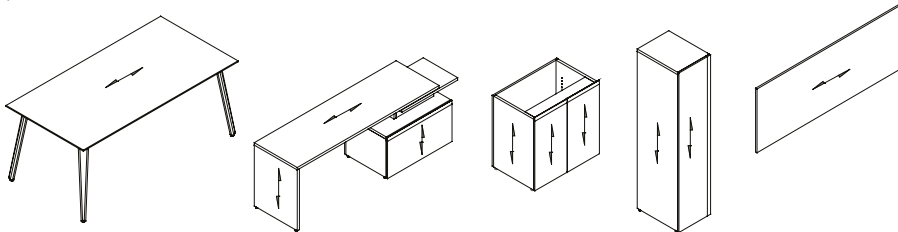


Appendix B: Surfaces and Edges

SERIES	PREVIEW	COMPONENT	MATERIAL	EDGES / MOLDING
VOZ		1" surface	1" High-density particle board with Thermofused laminate (TFL).	1.5 mm polyvinyl chloride (PVC)
VOMZ		1-1/16" surface	Monochrom high pressure laminate - 1" high-density particle board, 3/64" HPL sheet on surface, 3/64" balancing sheet under surface (prevents bending).	1.5 mm polyvinyl chloride (PVC)
		Front and back	Thermofused laminate (TFL) - 5/8" high-density particle board.	1.5 mm polyvinyl chloride (PVC) on showing surfaces and 0.5 mm polyvinyl chloride (PVC) on non-showing surfaces.

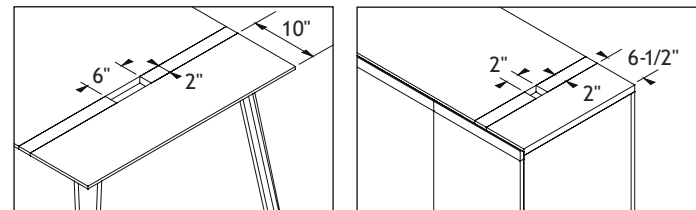
Appendix C: Wood Grain

Wood grain is vertical for all furniture fronts. See image below for wood grain direction placements.



Appendix E: Wood Insert with Grommet

The wood inserts with grommets consists of a wooden slat inserted the full depth of the table and pedestal tops. They can be positioned on the left or on the right.



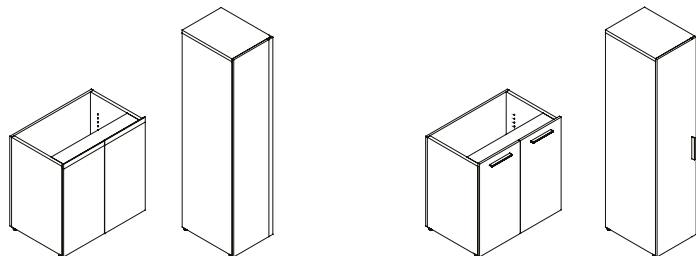
Position on a table

Position on a pedestal

The color of the wood insert corresponds to that of the wood legs and apron.

Appendix D: Volt Handles

Wooden handles with knife edges are integrated into the doors and drawer fronts of Volt furniture that match the knife edges on the table and return tops. It is possible to change the standard wood handles for Logiflex's H071 and H072 Logiflex handles at no extra charge (subtract \$93 retail from pedestal price). The door and drawer fronts will then have a 1.5 mm vinyl edge and no knife edge.

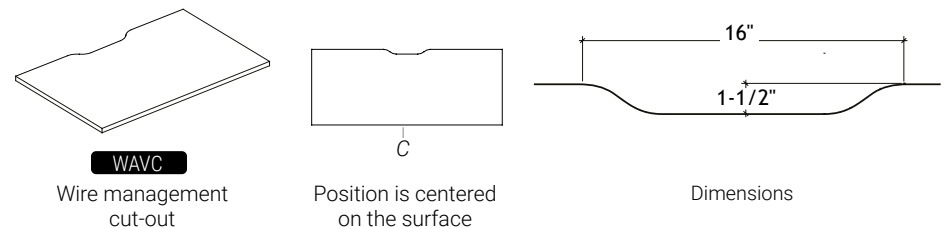


Volt Handles

Logiflex Handles

Cutout for wires

The cutout for wires is offered on bridges and secondary desks.



WAVC

Wire management cut-out

C

Position is centered on the surface

Dimensions

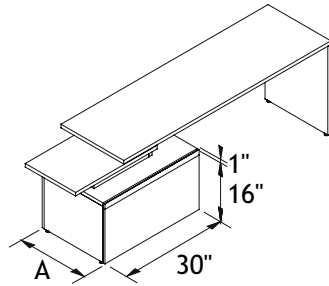
Introduction

Appendix F: Secondary Desk Pedestals

There is great flexibility when it comes to the secondary desk pedestals. Choose among all the independent pedestal choices, taking into consideration the following specifications:

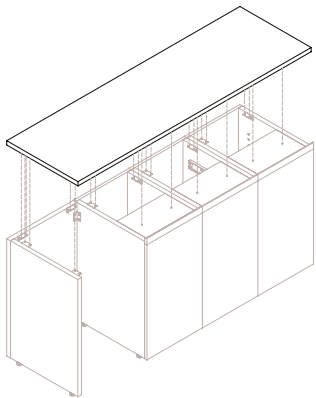
- 1) The width of the pedestal must be 30". A 30" pedestal may be used, or two 15" pedestals may be combined to make up the required 30" length.
- 2) The pedestal height must be 16"H.
- 3) The depth of the pedestal "A" dimension equals the depth of the desk that is ordered, either 20" or 24".

If a plug is ordered with the desk, you must also order a grommet in the pedestal.



Appendix G: Tops for Pedestals and Cabinets

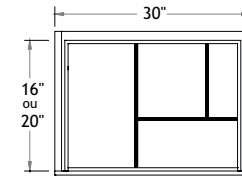
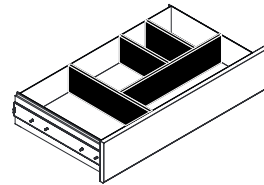
Tops are ordered separately from pedestals. Many pedestal combinations are possible. Pedestals are 15", 18", 30" and 36" wide and may be configured in any combination desired. Tops are offered from 15" to 84" wide.



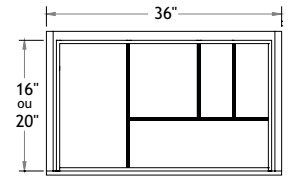
Appendix H: Utility and File Drawers

Utility Drawers

30" and 36" wide utility drawers have standard built-in dividers. When there are 2 utility drawers, only the top one has dividers.



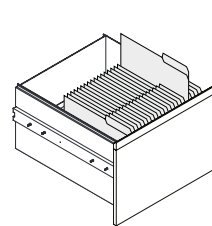
Top View



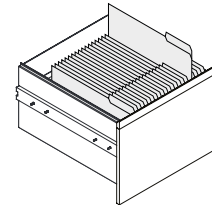
Top View

File Drawers and Lateral File Drawers

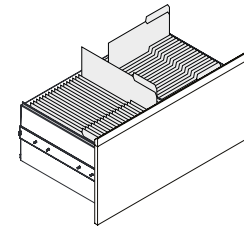
File drawers can receive either legal or letter formats. Please refer to the illustration below.



Letter format



Legal format



Legal and Letter formats

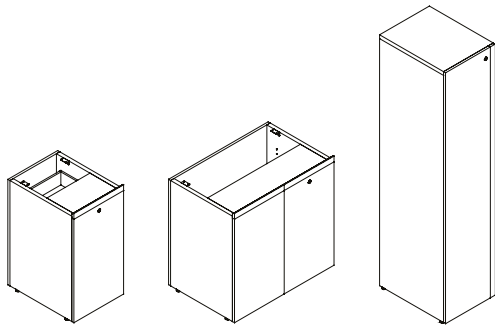
*For solidity purposes, ensure all files are suspended.

Introduction



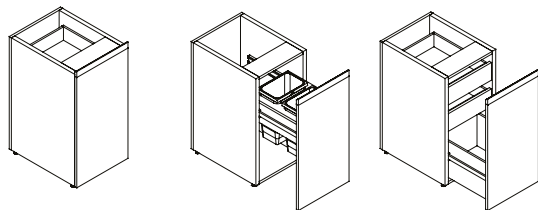
Appendix I: Locks

An optional lock can be added. It will be positioned in the center of the facade, 2-7 / 8 " from the top for pedestals and cabinets and in the corner of the door for wardrobes and vertical cabinets.



Appendix J: Drawer Fronts

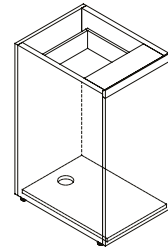
The Volt collection drawer fronts are designed to look streamlined and to show off vertical lines only. The streamline aesthetics of Volt storage cabinets hide an array of features.



Appendix K: Electrical Wire Management Solutions

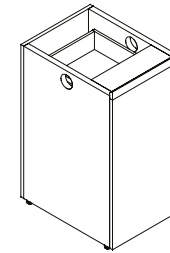
Electrical Wire Management in Storage Units

The pedestal construction can be adapted to include wire management options.



EM

2-1/2" round grommet in the base of the unit.

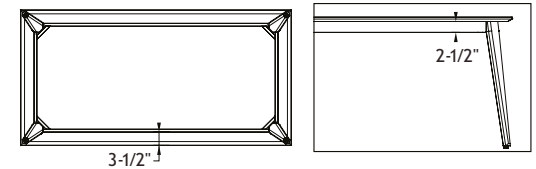
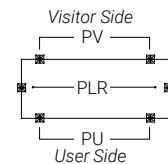
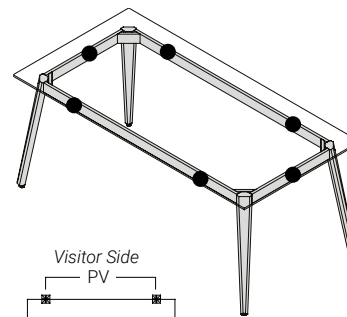


MGR

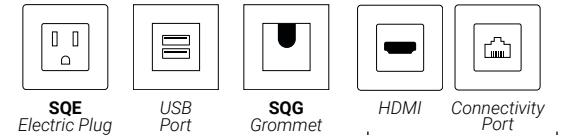
2-1/2" round grommet on the left and/or right.

Power Outlet Cutout

Power outlet cutouts are available as an option. They are located on the visitor side, user side or on each end. Twelve 6" long wire management molding strips are included to conceal wires under the surface of the table. Plugs are not included and are offered separately in the electrical accessory section.

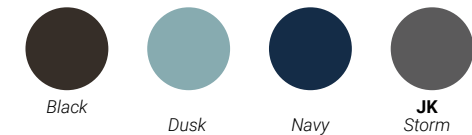


Outlets



*Only in Black

Available in 4 finishes



Introduction

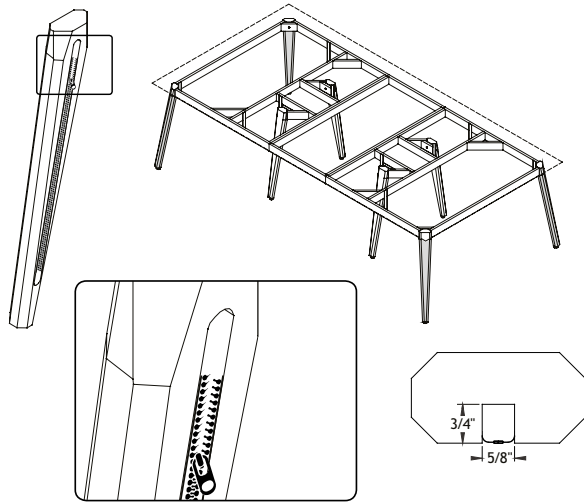


Appendix K: Electrical Wire Management Solutions

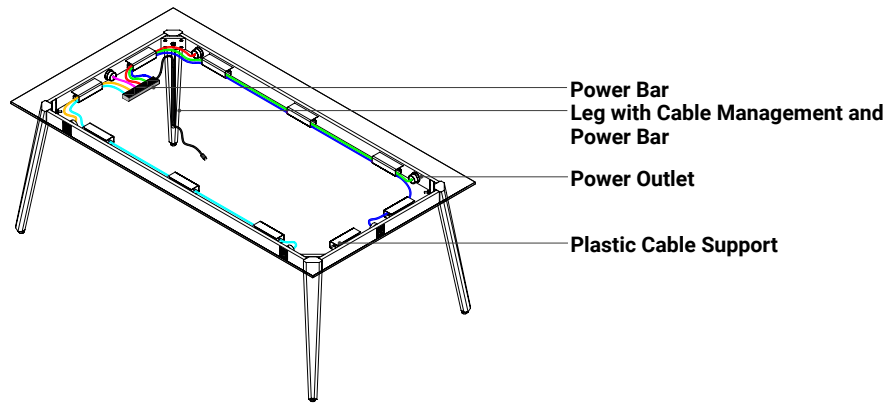
Wire Management Leg

Possibility of replacing one standard wooden leg with a wooden leg with groove for inserting cables. Includes a PBL power bar.

ZIP1 Replace 1 leg



Wire management under the surface and conference table

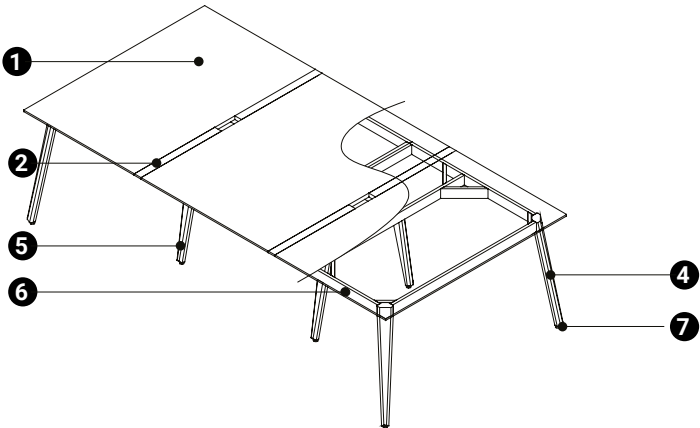


Introduction



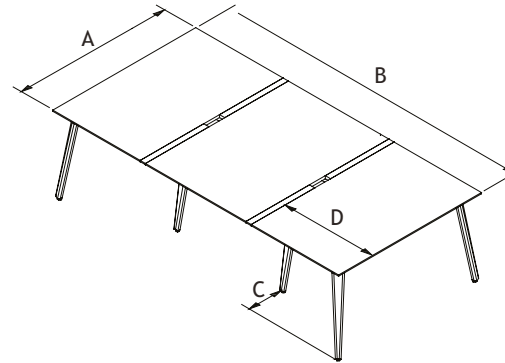
Appendix L: Conference Tables

Volt Conference Table Components



- ❶ All Logiflex colors and Monochrom finishes available
- ❷ Wood inserts with or without grommet
- ❸ Many available dimensions up to 144"
- ❹ Optional wood wire management leg
- ❺ Recessed central legs for increased leg room
- ❻ Integrated HDMI and data plugs into the table's wood apron
- ❼ Legs on white nylon levelers offering up to ½" height adjustment

Wide Range of Dimensions

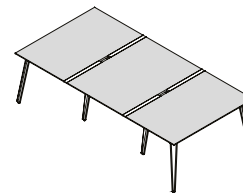


Volt conference tables come in a wide range of dimensions. To ensure optimal ergonomics, each comes with its own standard when it comes to leg room of the central legs, positioning of wood inserts and number of optional sockets.

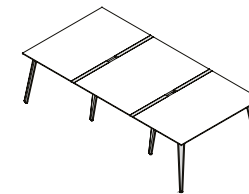
Dimensions			
A	B	C	D
48"	96"	9"	29"
54"	108"	12"	33"
60"	120"	15"	36"
60"	132"	15"	40"
60"	144"	15"	45"

Color Application

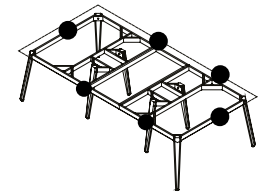
The different components can be finished in the following colors.



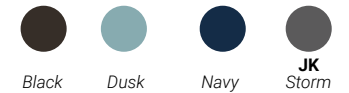
Surfaces
All Logiflex laminate colors and Monochrom hpl



Wood
Legs, aprons and wood inserts



Power Outlets
4 color finishes
*HDMI and data in Black only



Introduction



Appendix L : Volt - Conference Tables (*continued*)

About Monochrom

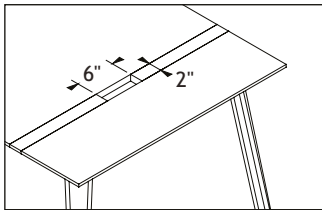
The Monochrom finish offers an ultra matte surface, low light reflectivity, anti-fingerprint finish and a soft-touch surface. This product can be easily cleaned and requires no special maintenance plan. In addition, the Monochrom finish is antibacterial and resists wear, abrasion, acids, bases and solvents.

Properties of the Monochrom finish:

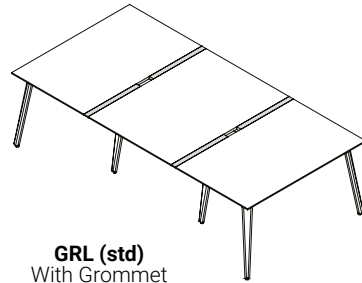
- Matte finish, ultra-soft to the touch;
- Anti-fingerprints;
- Through-color core;
- Scratch resistant;
- Antibacterial.

For more information on the Monochrom finish, refer to the Material Data Sheet.

Wood Insert With or Without Grommet

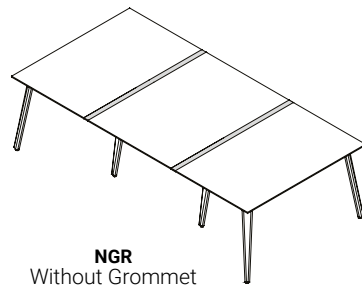


The wood inserts with grommets consists of a wooden slat inserted the full depth of the table and pedestal tops.



GRL (std)
With Grommet

Remove the grommets to have continuous wood inserts.

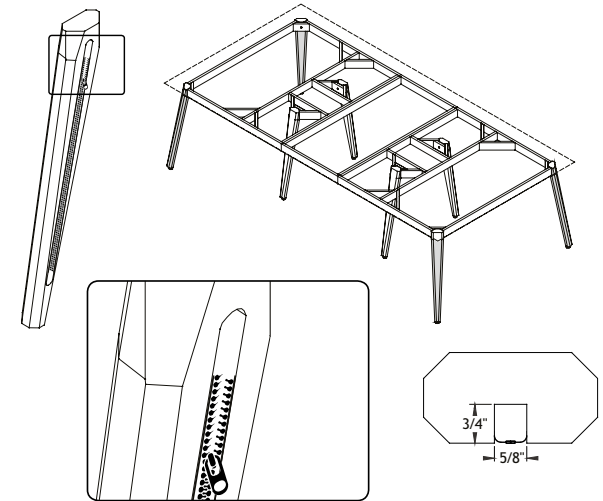


NGR
Without Grommet

Wire Management Leg

Possibility of replacing up to 4 standard wooden legs with wooden legs with groove for inserting cables. Includes a PBL power bar per leg.

- ZIP1 Replace 1 leg
- ZIP2 Replace 2 legs
- ZIP3 Replace 3 legs
- ZIP4 Replace 4 legs



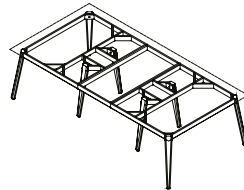
Introduction



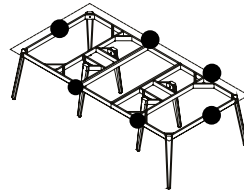
Appendix L : Volt - Conference Tables - Manufacturing Standards *(continued)*

Power Outlet Cutout

Add cutouts in the table's apron for the addition of power outlets. Their number and positioning are determined by the dimensions of the table. Twelve 6" long channels are included to conceal the wires under the table surface. Outlets are not included and are available separately in the electrical accessories section.



NPO (std)
Without Cutout

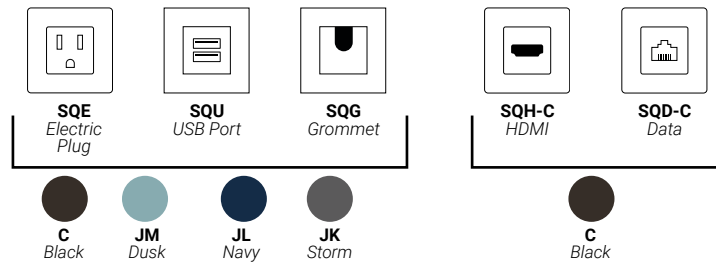


PO
With Cutouts
(outlets not included)

Table Dimensions		Number of Cutouts		
Depth	Width	Total	Ends	Sides
48"	96"	6	1 per end	2 per side
54"	108"	6	1 per end	2 per side
60"	120"	12	2 per end	4 per side
60"	132"	12	2 per end	4 per side
60"	144"	12	2 per end	4 per side

Electrical Accessories - Electric Plugs

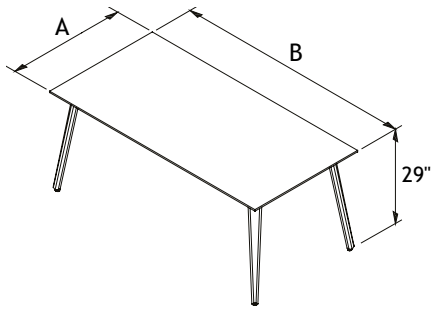
Since they are sold separately, you can use and combine all connections as desired.



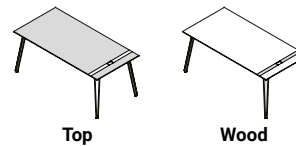
Desks and Work Tables

Rectangular Tables

T



Color Combination



Manufacturing Standards

- Delivered disassembled;
- Rectangular top with knife edge contour;
- Wood apron;
- 4 wood legs;
- White nylon levelers;
- Height: 29".

Wood finishes: Available colors for legs, aprons and surface grommets: White Wash **WW**, Golden Wheat **GW**, Sand **SD**, Apricot **AT**, Pecan **PN**, Brandy **BR**, Chestnut **CT**, Coffee **CF**, Espresso **ES**, Bordeaux **BO**, Black Wash **BW** and Bark **BK**.

Options

Leg with Cable Management and Power Bar



ZIP1

\$181 ea.

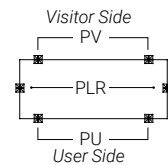
Wood Insert with Grommet



\$296 ea.

Power Outlet Cutout

(Plugs not included)



P_

\$0

Prices

Dimensions			
A	B	VOZ	VOMZ
36	54	2546	3626
36	60	2561	3671
36	66	2576	3717
36	72	2594	3765
36	78	2609	3812
36	84	2640	3861
<hr/>			
42	54	2569	3722
42	60	2586	3769
42	66	2601	3816
42	72	2617	3868
42	78	2634	3915
42	84	2664	3982
<hr/>			
48	54	2586	3741
48	60	2601	3801
48	66	2617	3864
48	72	2634	3928
48	78	2651	3993
48	84	2681	4036

How to Order

VOMZ VOZ (std)	AB	T	ZIP1	GRL GRR NGR (std)	PLR	PU	PV	Finishes See the Logiflex Color Guide
series	dimensions	code	wire channel leg	wood grommet	power outlet position			wood color
VOZ	3654	T		NGR				GW

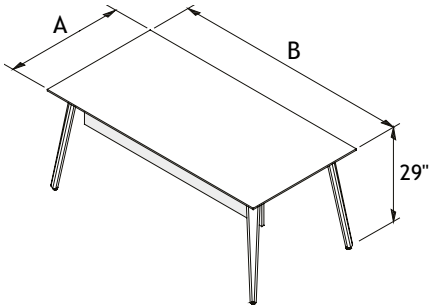
Example

Desks and Work Tables

Rectangular Tables with Modesty

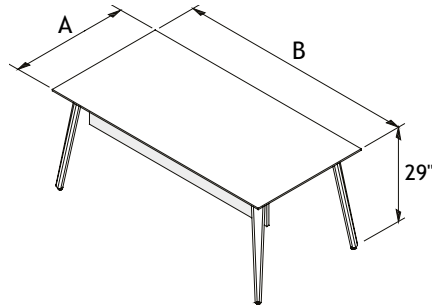
TPMW

Wood modesty

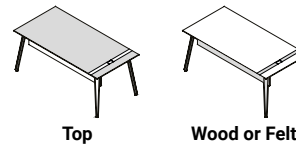


TPMF

Felt modesty



Color Combination



Manufacturing Standards

- Delivered disassembled;
- Modesty 10"H in wood or felt;
- Rectangular laminate top with knife edge contour;
- Wood apron;
- 4 wood legs;
- White nylon levelers;
- Height: 29".

Wood finishes: Available colors for legs, aprons and surface grommets: White Wash **WW**, Golden Wheat **GW**, Sand **SD**, Apricot **AT**, Pecan **PN**, Brandy **BR**, Chestnut **CT**, Coffee **CF**, Espresso **ES**, Bordeaux **BO**, Black Wash **BW** and Bark **BK**.

Felt colors: Blue **BL**, Light Gray **LG** and Dark Gray **DG**.

Options

Leg with Cable Management and Power Bar



ZIP1

\$181 ea.

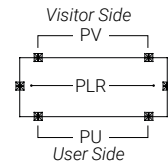
Wood Insert with Grommet



\$296 ea.

Power Outlet Cutout

(Plugs not included)



P_

\$0

Prices

Dimensions		VOZ	VOMZ
A	B		
36	66	2999	4183
36	72	3020	4217
36	78	3037	4249
36	84	3076	4285
42	66	3024	4319
42	72	3043	4351
42	78	3063	4386
42	84	3098	4421
48	66	3042	4457
48	72	3059	4490
48	78	3080	4525
48	84	3119	4550

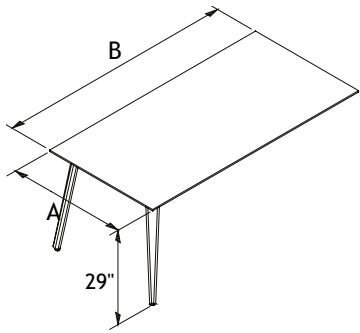
How to Order

VOMZ VOZ (std)	AB	TPM TPM	W F	ZIP1	GRL GRR NGR (std)	PLR	PU	PV	Finishes See the Logiflex Color Guide	BL LG DG
series	dimensions	code	modesty	wire channel leg	wood grommet	power outlet position			wood color	felt color
Example VOZ	3666	TPM	W		NGR				GW	

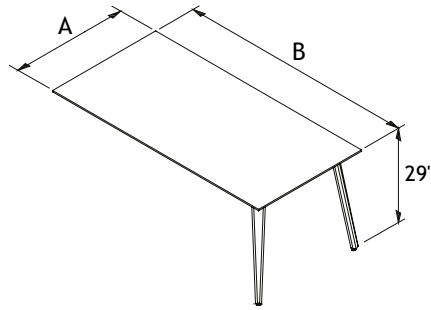
Desks and Work Tables

Layering Tables

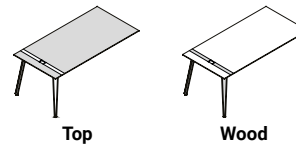
FTL



FTR



Color Combination



Manufacturing Standards

- Delivered disassembled;
- Rectangular top with knife edge contour;
- Wood apron;
- 2 wood legs;
- Rubber support bumpers;
- White nylon levelers;
- Height: 29".

Wood finishes: Available colors for legs, aprons and surface grommets: White Wash **WW**, Golden Wheat **GW**, Sand **SD**, Apricot **AT**, Pecan **PN**, Brandy **BR**, Chestnut **CT**, Coffee **CF**, Espresso **ES**, Bordeaux **BO**, Black Wash **BW** and Bark **BK**.

Options

Leg with Cable Management and Power Bar



ZIP1

\$181 ea.

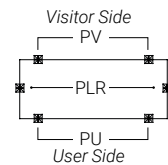
Wood Insert with Grommet



\$296 ea.

Power Outlet Cutout

(Plugs not included)



P_

\$0

Prices

Dimensions			
A	B	VOZ	VOMZ
36	60	2266	3366
36	66	2278	3391
36	72	2293	3415
36	78	2309	3441
36	84	2337	3470
42	60	2289	3496
42	66	2302	3522
42	72	2316	3546
42	78	2333	3573
42	84	2360	3602
48	60	2304	3628
48	66	2319	3655
48	72	2335	3681
48	78	2351	3711
48	84	2379	3762

How to Order

VOMZ VOZ (std)	AB	FTL FTR	ZIP1	GRL GRR NGR (std)	PLR	PU	PV	Finishes See the Logiflex Color Guide
series	dimensions	code	wire channel leg	wood grommet	power outlet position		wood color	

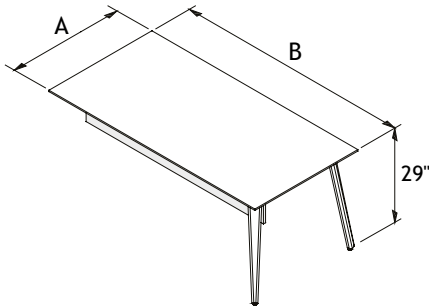
Example VOZ 3666 FTL ZIP1 NGR PLR PU PV GW

Desks and Work Tables

Left Layering Tables with Modesty

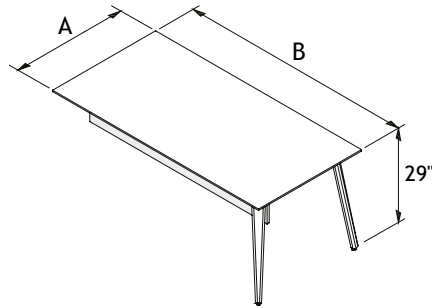
FTLPMW

Wood modesty

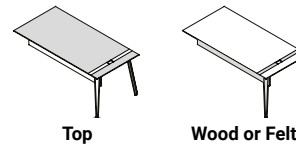


FTLPMF

Felt modesty



Color Combination



Manufacturing Standards

- Delivered disassembled;
- Modesty 10"H in wood or felt;
- Rectangular top with knife edge contour;
- Wood apron;
- 2 wood legs;
- Rubber support bumpers;
- White nylon levelers;
- Height: 29".

Wood finishes: Available colors for legs, aprons and surface
grommets: White Wash **WW**, Golden Wheat **GW**, Sand **SD**, Apricot **AT**, Pecan **PN**, Brandy **BR**, Chestnut **CT**, Coffee **CF**, Espresso **ES**, Bordeaux **BO**, Black Wash **BW** and Bark **BK**.

Felt colors: Blue **BL**, Light Gray **LG** and Dark Gray **DG**.

Options

Leg with Cable Management and Power Bar



ZIP1
\$181 ea.

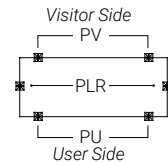
Wood Insert with Grommet



\$296 ea.

Power Outlet Cutout

(Plugs not included)



P
\$0

Prices

Dimensions		VOZ	VOMZ
A	B		
36	66	2697	3809
36	72	2717	3838
36	78	2734	3870
36	84	2773	3901
42	66	2720	3933
42	72	2739	3963
42	78	2760	3995
42	84	2795	4026
48	66	2738	4060
48	72	2758	4091
48	78	2775	4124
48	84	2815	4173

How to Order

VOMZ VOZ (std)	AB	FTLPM	W F	ZIP1	GRL GRR NGR (std)	PLR	PU	PV	Finishes See the Logiflex Color Guide	BL LG DG
series	dimensions	code	modesty	wire channel leg	wood grommet	power outlet position			wood color	felt color

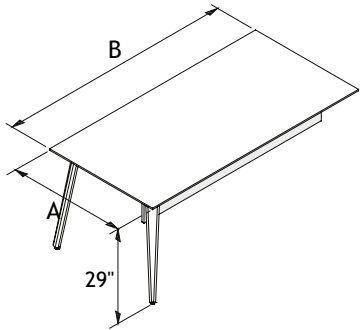
Example VOZ 3666 FTLPM W ZIP1 NGR PLR PU PV GW DG

Desks and Work Tables

Right Layering Tables with Modesty

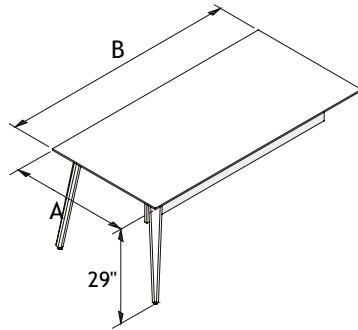
FTRPMW

Wood modesty

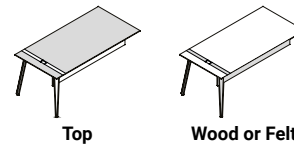


FTRPMF

Felt modesty



Color Combination



Manufacturing Standards

- Delivered disassembled;
- Modesty 10"H in wood or felt;
- Rectangular top with knife edge contour;
- Wood apron;
- 2 wood legs;
- Rubber support bumpers;
- White nylon levelers;
- Height: 29".

Wood finishes: Available colors for legs, aprons and surface grommets: White Wash **WW**, Golden Wheat **GW**, Sand **SD**, Apricot **AT**, Pecan **PN**, Brandy **BR**, Chestnut **CT**, Coffee **CF**, Espresso **ES**, Bordeaux **BO**, Black Wash **BW** and Bark **BK**.

Felt colors: Blue **BL**, Light Gray **LG** and Dark Gray **DG**.

Options

Leg with Cable Management and Power Bar



ZIP1
\$181 ea.

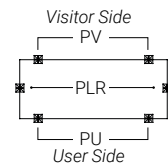
Wood Insert with Grommet



\$296 ea.

Power Outlet Cutout

(Plugs not included)



P
\$0

Prices

Dimensions		VOZ	VOMZ
A	B		
36	66	2697	3809
36	72	2717	3838
36	78	2734	3870
36	84	2773	3901
42	66	2720	3933
42	72	2739	3963
42	78	2760	3995
42	84	2795	4026
48	66	2738	4060
48	72	2758	4091
48	78	2775	4124
48	84	2815	4173

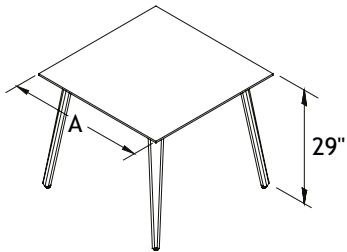
How to Order

VOMZ VOZ (std)	AB	FTRPM	W F	ZIP1	GRL GRR NGR (std)	PLR	PU	PV	Finishes See the Logiflex Color Guide	BL LG DG
series	dimensions	code	modesty	wire channel leg	wood grommet	power outlet position			wood color	felt color
Example VOZ	3666	FTRPM	W		NGR				GW	

Desks and Work Tables

Square Tables

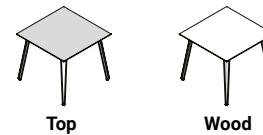
TC



Manufacturing Standards

- Delivered disassembled;
- Square top with knife edge contour;
- Wood apron;
- 4 wooden legs;
- White nylon levelers;
- Height: 29".

Color Combination



Wood finishes: Available colors for legs, aprons and surface grommets: White Wash **WW**, Golden Wheat **GW**, Sand **SD**, Apricot **AT**, Pecan **PN**, Brandy **BR**, Chestnut **CT**, Coffee **CF**, Espresso **ES**, Bordeaux **BO**, Black Wash **BW** and Bark **BK**.

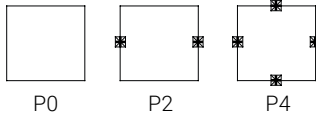
Options

Leg with Cable Management and Power Bar



ZIP1
\$181 ea.

Power Outlet Cutout (Plugs not included)



P0
\$0

Prices

Dimensions		
A	VOZ	VOMZ
36	2473	3470
42	2501	3545
48	2552	3700

How to Order

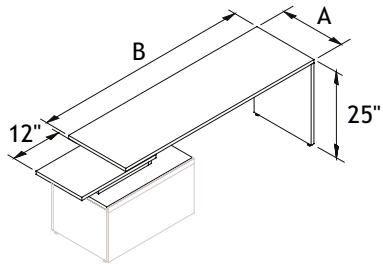
VOMZ VOZ (std)	A	TC	ZIP1	P4 P2 P0 (std)	Finishes <i>See the Logiflex Color Guide</i>
series	dimensions	code	wire channel leg	power outlets	wood color

Example VOZ 36 TC [] P0 GW

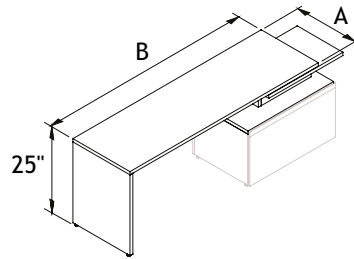
Desks and Work Tables

Secondary Desk

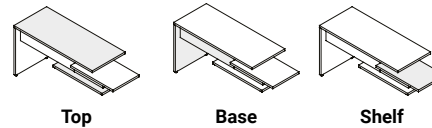
SDL



SDR



Color Combination



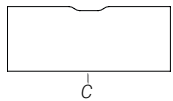
Manufacturing Standards

- Delivered disassembled;
- 1" laminate top;
- 1 laminate leg;
- 1 shelf;
- 30" top (for one 30"L pedestal or two 15" pedestals);
- Height: 25".

- 1) The width of the pedestal must be 30". A 30" pedestal may be used, or two 15" pedestals may be combined to make up the required 30" length.
- 2) The pedestal height must be 16"H.
- 3) The depth of the pedestal "A" dimension equals the depth of the desk that is ordered, either 20" or 24".

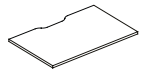
If a plug is ordered with the desk, you must also order a grommet in the pedestal.

Options

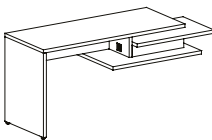


Power Outlet Cutout
(Plugs not included)

Cutout for wires



\$28 ea.



OH
\$0

Prices

Dimensions		
A	B	
20	54	711
20	60	720
20	66	730
20	72	756
20	78	779
24	54	758
24	60	768
24	66	778
24	72	814
24	78	837

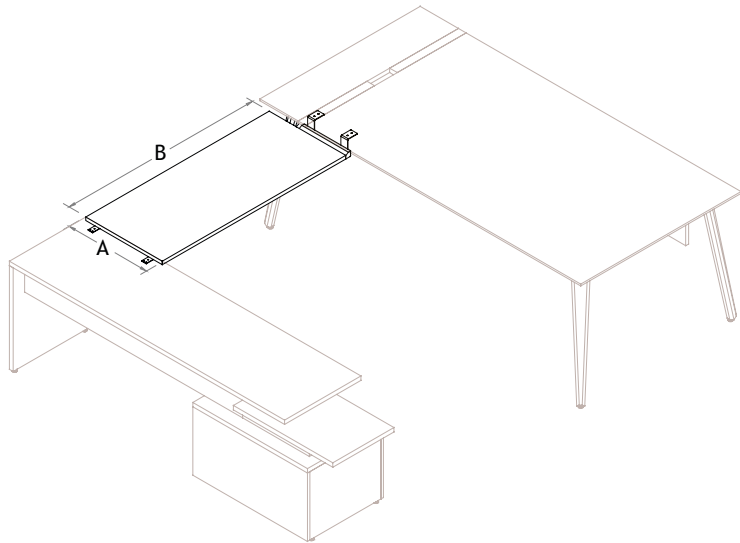
How to Order

VO	AB	SDL SDR	WAVC NWAV (std)	OH	Combination of Colors <i>See the Logiflex Color Chart (p. 10)</i>		
series	dimensions	code	cutout (Appx. C)	hole for elect. plug	top	base	shelf
Example VO	2066	SDL	WAVC	OH		W	W

Desks and Work Tables

Bridges

BRB

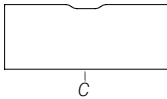


Manufacturing Standards

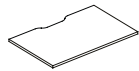
- 1" laminate top;
- 2 flush plates and 1 mounting bracket with wood insert;
- Stiffener (RSTF) included for bridges 60" or longer.

Wood finishes: Available colors for legs, aprons and surface grommets: White Wash **WW**, Golden Wheat **GW**, Sand **SD**, Apricot **AT**, Pecan **PN**, Brandy **BR**, Chestnut **CT**, Coffee **CF**, Espresso **ES**, Bordeaux **BO**, Black Wash **BW** and Bark **BK**.

Options



Cutout for wires



\$28 ea.

Prices

Dimensions	
A	B
20 42	431
20 48	459
20 54	492
20 60	526
20 66	564
20 72	605

24 42	444
24 48	475
24 54	506
24 60	542
24 66	581
24 72	626

How to Order

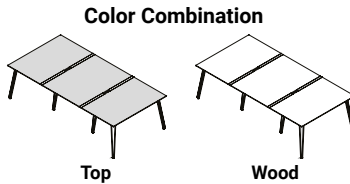
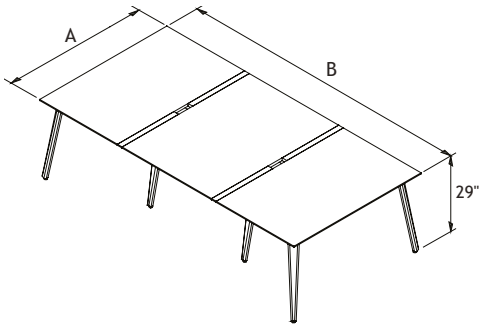
VO	AB	BRB	WAVC NNAV (std)	Finishes See the Logiflex Color Guide
series	dimensions	code	cutout (Appx. C)	wood color
Example VO	2042	BRB	WAVC	GW

Desks and Work Tables



Conference Tables

CT



Manufacturing Standards

- Delivered disassembled;
- 3 section rectangular top with knife edge contour;
- 2 wood inserts with grommet;
- Wood apron;
- 8 wood legs;
- White nylon levelers;
- Height: 29".

Note: For dimensions between measure, see Appendix L at p. 18 for the power outlet positioning.

Wood finishes: Available colors for legs, aprons and surface grommets: White Wash **WW**, Golden Wheat **GW**, Sand **SD**, Apricot **AT**, Pecan **PN**, Brandy **BR**, Chestnut **CT**, Coffee **CF**, Espresso **ES**, Bordeaux **BO**, Black Wash **BW** and Bark **BK**.

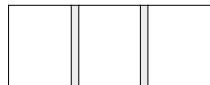
Options

Leg with Cable Management and Power Bar



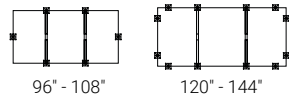
ZIP
\$181 ea.

Full Wood Insert (without grommet)



NGR
\$203

Power Outlet Cutout
(Plugs not included)
See Appendix L



96" - 108" 120" - 144"

PO
\$0

Prices

Dimensions			
A	B	VOZ	VOMZ
48	96	9386	11129
54	108	9653	13276
60	120	9923	15420
60	132	10191	15824
60	144	10461	16224

How to Order

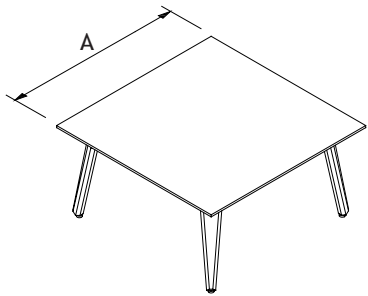
VOMZ VOZ (std)	AB	CT	ZIP1 ZIP2 ZIP3 ZIP4	NGR GLR (std)	PO NPO (std)	Finishes See the Logiflex Color Guide
series	dimensions	code	wire channel leg	wood grommet	power cutout	wood color
Example VOZ	4896	CT		GLR		GW

*For conference tables up to 248" long, please contact us.

Desks and Work Tables

Square Tables - Coffee Height 18"H

LST



Manufacturing Standards

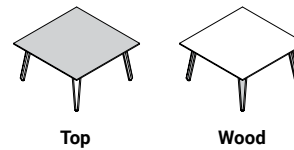
- Delivered disassembled;
- Square top with knife edge contour;
- Wood apron;
- 4 wood legs;
- White nylon levelers;
- Height: 18".

Wood finishes: Available colors for legs, aprons and surface grommets: White Wash **WW**, Golden Wheat **GW**, Sand **SD**, Apricot **AT**, Pecan **PN**, Brandy **BR**, Chestnut **CT**, Coffee **CF**, Espresso **ES**, Bordeaux **BO**, Black Wash **BW** and Bark **BK**.

Prices

Dimensions		
A	VOZ	VOMZ
20	850	1003
36	1063	1254
42	1081	1276

Color Combination



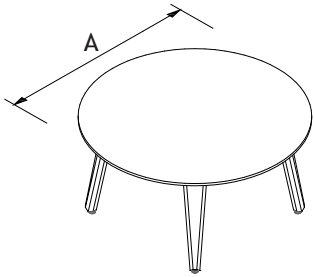
How to Order

VOMZ	A	LST	Finishes See the Logiflex Color Guide
VOZ (std)			
series	dimensions	code	wood color
Example	VOZ	36	LST GW

Desks and Work Tables

Round Tables - Coffee Height 18"H

LRT



Manufacturing Standards

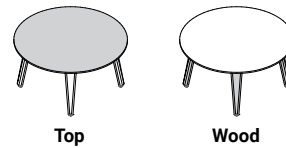
- Delivered disassembled;
- Round top with knife edge contour;
- Wood apron;
- 4 wood legs;
- White nylon levelers;
- Height: 18".

Wood finishes: Available colors for legs, aprons and surface grommets: White Wash **WW**, Golden Wheat **GW**, Sand **SD**, Apricot **AT**, Pecan **PN**, Brandy **BR**, Chestnut **CT**, Coffee **CF**, Espresso **ES**, Bordeaux **BO**, Black Wash **BW** and Bark **BK**.

Prices

Dimensions		
A	VOZ	VOMZ
20	886	1045
36	976	1152
42	1060	1251

Color Combination



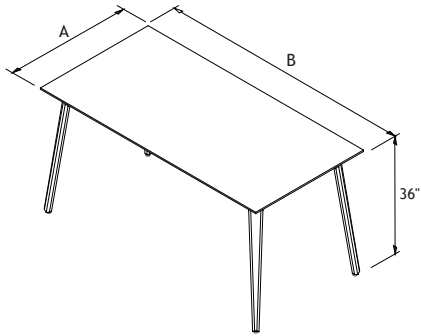
How to Order

VOMZ	A		+
VOZ (std)		LRT	Finishes See the Logiflex Color Guide
series	dimensions	code	wood color
Example VOZ	36	LRT	GW

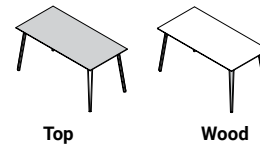
Desks and Work Tables

Rectangular Tables - Counter Height 36"H

HT36



Color Combination



Manufacturing Standards

- Delivered disassembled;
- Rectangular top with knife edge contour;
- Wood apron;
- 4 wood legs;
- White nylon levelers;
- Height: 36".

Wood finishes: Available colors for legs, aprons and surface grommets: White Wash **WW**, Golden Wheat **GW**, Sand **SD**, Apricot **AT**, Pecan **PN**, Brandy **BR**, Chestnut **CT**, Coffee **CF**, Espresso **ES**, Bordeaux **BO**, Black Wash **BW** and Bark **BK**.

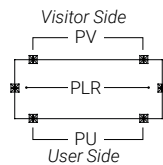
Options

Leg with Cable Management and Power Bar



ZIP1
\$236 ea.

Power Outlet Cutout (Plugs not included)



P
\$0

How to Order

VOMZ VOZ (std)	AB	HT36	ZIP1	PLR	PU	PV	Finishes See the Logiflex Color Guide
series	dimensions	code	wire channel leg	power outlet position		wood color	
Example VOZ	3654	HT36					GW

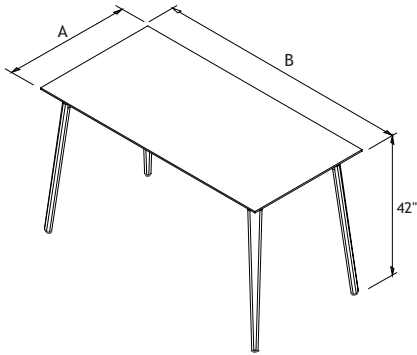
Prices

Dimensions			
A	B	VOZ	VOMZ
30	60	2670	3748
30	66	2685	3793
30	72	2702	3839
30	78	2717	3885
30	84	2747	3933
<hr/>			
36	60	2670	3748
36	66	2685	3793
36	72	2702	3839
36	78	2717	3885
36	84	2747	3933
<hr/>			
42	60	2695	3843
42	66	2709	3889
42	72	2725	3939
42	78	2741	3985
42	84	2770	4050
<hr/>			
48	60	2709	3874
48	66	2725	3935
48	72	2741	3998
48	78	2758	4061
48	84	2787	4102

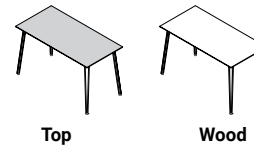
Desks and Work Tables

Rectangular Tables - Bar Height 42"H

HT42



Color Combination



Manufacturing Standards

- Delivered disassembled;
- Rectangular top with knife edge contour;
- Wood apron;
- 4 wood legs;
- White nylon levelers;
- Height: 42".

Wood finishes: Available colors for legs, aprons and surface gronomets: White Wash **WW**, Golden Wheat **GW**, Sand **SD**, Apricot **AT**, Pecan **PN**, Brandy **BR**, Chestnut **CT**, Coffee **CF**, Espresso **ES**, Bordeaux **BO**, Black Wash **BW** and Bark **BK**.

Options

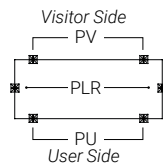
Leg with Cable Management and Power Bar



ZIP1

\$236 ea.

Power Outlet Cutout (Plugs not included)



P_

\$0

How to Order

VOMZ VOZ (std)	AB	HT42	ZIP1	PLR	PU	PV	Finishes See the Logiflex Color Guide
series	dimensions	code	wire channel leg	power outlet position		wood color	
Example VOZ	3654	HT42					GW

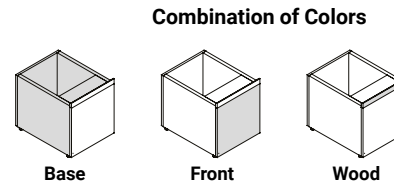
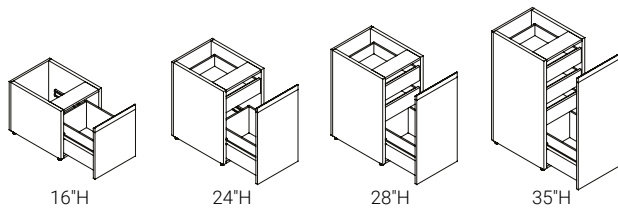
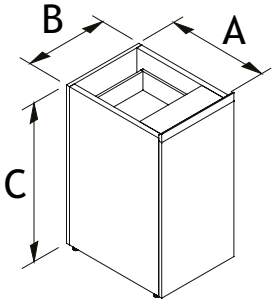
Prices

Dimensions			
A	B	VOZ	VOMZ
30	60	2758	3836
30	66	2773	3881
30	72	2790	3927
30	78	2805	3973
30	84	2835	4021
<hr/>			
36	60	2758	3836
36	66	2773	3881
36	72	2790	3927
36	78	2805	3973
36	84	2835	4021
<hr/>			
42	60	2783	3931
42	66	2797	3977
42	72	2813	4027
42	78	2829	4073
42	84	2858	4138
<hr/>			
48	60	2797	3962
48	66	2813	4023
48	72	2829	4086
48	78	2846	4149
48	84	2875	4190

Modular Storage

Independent Pedestals with File Drawer

GIND



Manufacturing Standards

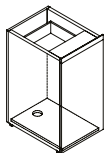
- Pedestals without tops;
- 1 full front with integrated wood handle;
- 16"H = 1 file drawer;
- 24"H = 1 utility drawer and 1 file drawer;
- 28"H = 2 utility drawers and 1 file drawer;
- Vertical wood grain on front.

Handles: Available colors for handles: White Wash **WW**, Golden Wheat **GW**, Sand **SD**, Apricot **AT**, Pecan **PN**, Brandy **BR**, Chestnut **CT**, Coffee **CF**, Espresso **ES**, Bordeaux **BO**, Black Wash **BW** and Bark **BK**.

For handles other than the wood standard, see [Appendix D](#).

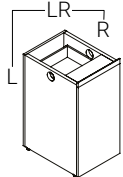
Options

Electrical Wire Management



\$0

Grommet



MGR
\$0

Lock



\$46 ea.

Prices

Dimensions			
A	B	C	
20	15	16	1129
20	15	24	1173
20	15	28	1227
20	15	35	1284
20	18	16	1140
20	18	24	1186
20	18	28	1241
20	18	35	1296
24	15	16	1144
24	15	24	1193
24	15	28	1246
24	15	35	1301
24	18	16	1159
24	18	24	1203
24	18	28	1259
24	18	35	1314

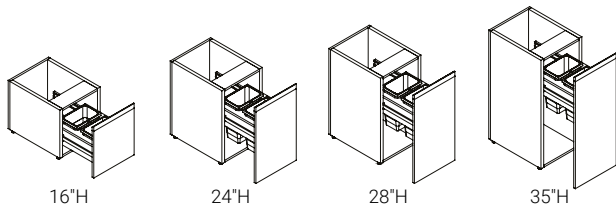
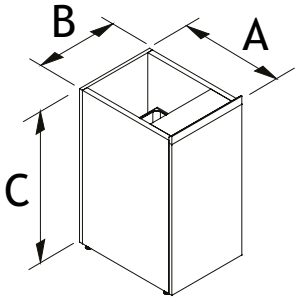
How to Order

VO	ABC	GIND	EM	MGR L MGR R MG LR	WD (std)	Finishes See the Logiflex Color Guide	LKBL LKSN
series	dimensions	code	electricity	grommet	handle	wood color	lock
Example	VO	201524	GIND		WD	GW	

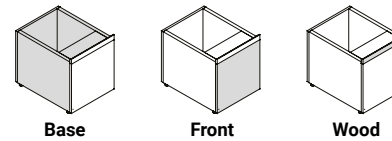
Modular Storage

Independent Pedestals with Trash Cans

HIND



Combination of Colors



Manufacturing Standards

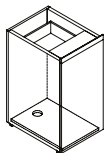
- Pedestals without tops;
- 1 sliding drawer front with integrated wood handle;
- Vertical wood grain on front;
- 2 gray trash cans;
- Trash can volume:
 - 16"H: 2 trash cans of 5.5L each
 - 24"H and 28"H: 2 trash cans of 8L each

Handles: Available colors for handles: White Wash **WW**, Golden Wheat **GW**, Sand **SD**, Apricot **AT**, Pecan **PN**, Brandy **BR**, Chestnut **CT**, Coffee **CF**, Espresso **ES**, Bordeaux **BO**, Black Wash **BW** and Bark **BK**.

For handles other than the wood standard, see [Appendix D](#).

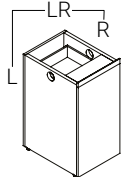
Options

Electrical Wire Management



\$0

Grommet



MGR
\$0

Lock



\$46 ea.

Prices

Dimensions			
A	B	C	
20	15	16	886
20	15	24	1087
20	15	28	1285
20	15	35	1482
20	18	16	898
20	18	24	1097
20	18	28	1298
20	18	35	1500
24	15	16	901
24	15	24	1102
24	15	28	1304
24	15	35	1508
24	18	16	908
24	18	24	1114
24	18	28	1317
24	18	35	1522

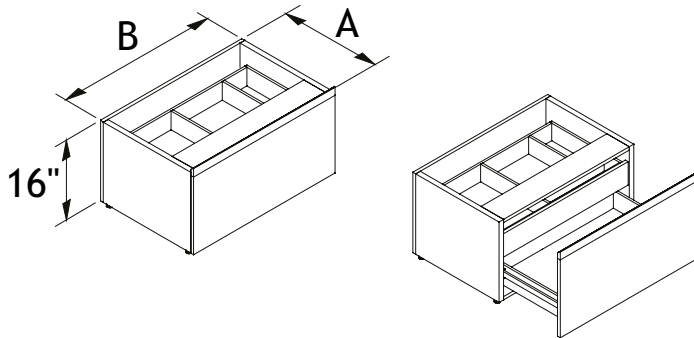
How to Order

VO	ABC	HIND	EM	MGR L MGR R MG LR	WD (std)	Finishes See the Logiflex Color Guide	LKBL LKSN
series	dimensions	code	electricity	grommet	handle	wood color	lock
Example	VO	201524	HIND		WD	GW	

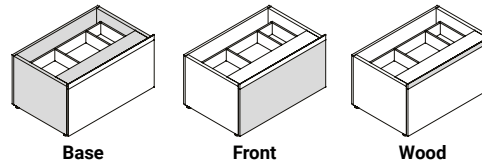
Modular Storage

Independent Pedestals with Utility Drawer

IIND



Combination of Colors



Manufacturing Standards

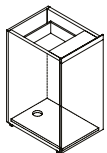
- Pedestals without tops;
- Cabinet with 1 door with integrated wood handle;
- 2 utility drawers, one with built-in dividers;
- Vertical wood grain on front,
- Height: 16".

Handles: Available colors for handles: White Wash **WW**, Golden Wheat **GW**, Sand **SD**, Apricot **AT**, Pecan **PN**, Brandy **BR**, Chestnut **CT**, Coffee **CF**, Espresso **ES**, Bordeaux **BO**, Black Wash **BW** and Bark **BK**.

For handles other than the wood standard, see [Appendix D](#).

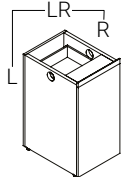
Options

Electrical Wire Management



\$0

Grommet



MGR
\$0

Lock



\$46 ea.

Prices

Dimensions

A B C

20 30 16 1391

20 36 16 1434

24 30 16 1412

24 36 16 1456

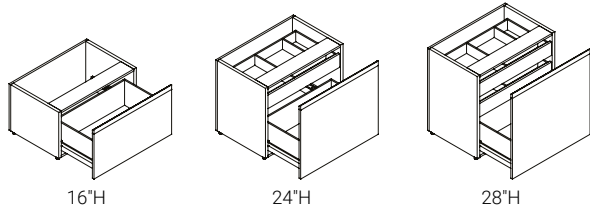
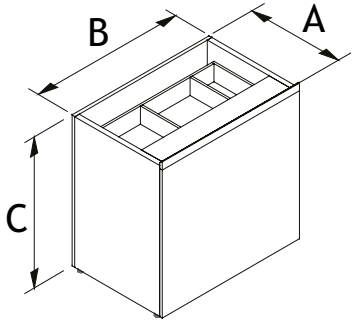
How to Order

VO	ABC	IIND	EM	MGR L MGR R MG LR	WD (std)	Finishes See the Logiflex Color Guide	LKBL LKSN
series	dimensions	code	electricity	grommet	handle	wood color	lock
Example VO	201524	IIND			WD	GW	

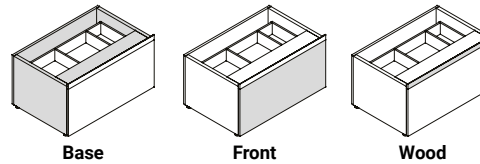
Modular Storage

Independent Pedestals with Filing Cabinet

KIND



Combination of Colors



Manufacturing Standards

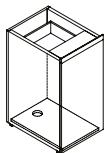
- Pedestals without tops;
- 1 sliding drawer front with integrated wood handle;
- 16"H = 1 lateral file drawer;
- 24"H = 1 utility drawer with built-in divider and 1 lateral file drawer;
- 28"H = 2 utility drawers, one with built-in dividers and 1 lateral file drawer;
- Vertical wood grain on front.

Handles: Available colors for handles: White Wash **WW**, Golden Wheat **GW**, Sand **SD**, Apricot **AT**, Pecan **PN**, Brandy **BR**, Chestnut **CT**, Coffee **CF**, Espresso **ES**, Bordeaux **BO**, Black Wash **BW** and Bark **BK**.

For handles other than the wood standard, see [Appendix D](#).

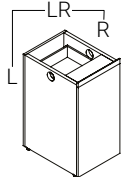
Options

Electrical Wire Management



\$0

Grommet



MGR
\$0

Lock



\$46 ea.

Prices

Dimensions			
A	B	C	
20	30	16	929
20	30	24	1392
20	30	28	1629
20	36	16	949
20	36	24	1423
20	36	28	1663
24	30	16	955
24	30	24	1434
24	30	28	1683
24	36	16	976
24	36	24	1466
24	36	28	1716

How to Order

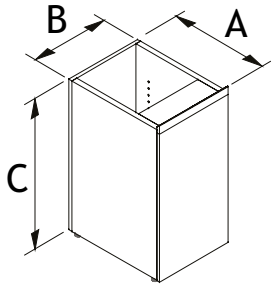
VO	ABC	KIND	EM	MGR L MGR R MG LR	H071 H072 WD (std)	Finishes See the Logiflex Color Guide	LKBL LKSN
series	dimensions	code	electricity	grommet	handle	wood color	lock
Example	VO	201524	KIND		WD	GW	

Modular Storage

Independent Cabinet with One Door

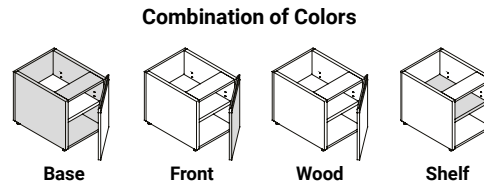
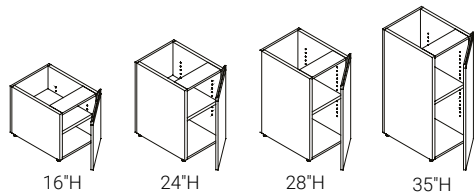
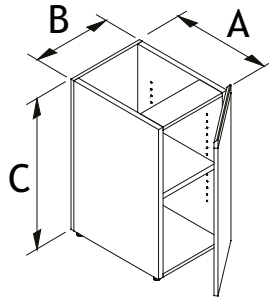
ARLIND

Door opening to the left



ARRIND

Door opening to the right



Combination of Colors

Manufacturing Standards

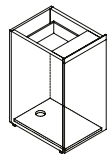
- Pedestals without tops;
- Cabinet with 1 soft close door
- Door with integrated wood handle;
- 1 adjustable shelf;
- Vertical wood grain on front.

Handles: Available colors for handles: White Wash **WW**, Golden Wheat **GW**, Sand **SD**, Apricot **AT**, Pecan **PN**, Brandy **BR**, Chestnut **CT**, Coffee **CF**, Espresso **ES**, Bordeaux **BO**, Black Wash **BW** and Bark **BK**.

For handles other than the wood standard, see [Appendix D](#). Handles of independent cabinets are installed horizontally.

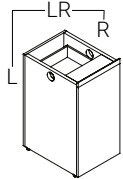
Options

Electrical Wire Management



\$0

Grommet



MGR
\$0

Lock



\$46 ea.

Prices

Dimensions	
A B C	
20 15 16	780
20 15 24	813
20 15 28	872
20 15 35	934
20 18 16	788
20 18 24	819
20 18 28	883
20 18 35	947
24 15 16	796
24 15 24	827
24 15 28	891
24 15 35	955
24 18 16	804
24 18 24	837
24 18 28	901
24 18 35	963

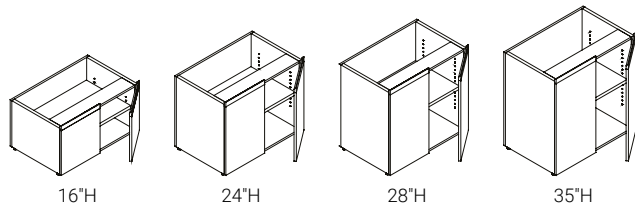
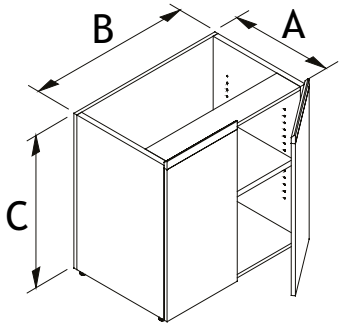
How to Order

VO	ABC	ARLIND ARRIND	EM	MGR L MGR R MG LR	H071 H072 WD (std)	Finishes See the Logiflex Color Guide	LKBL LKSN
series	dimensions	code	electricity	grommet	handle	wood color	lock
Example	VO	201524	ARLIND		WD	GW	

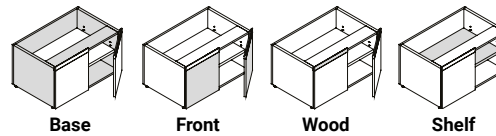
Modular Storage

Independent Cabinet with Two Doors

ARIND



Combination of Colors



Manufacturing Standards

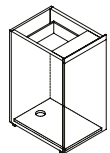
- Pedestals without tops;
- Cabinet with 2 soft close doors;
- Doors with integrated wood handles;
- 1 adjustable shelf;
- Vertical wood grain on front.

Handles: Available colors for handles: White Wash **WW**, Golden Wheat **GW**, Sand **SD**, Apricot **AT**, Pecan **PN**, Brandy **BR**, Chestnut **CT**, Coffee **CF**, Espresso **ES**, Bordeaux **BO**, Black Wash **BW** and Bark **BK**.

For handles other than the wood standard, see [Appendix D](#). Handles of independent cabinets are installed horizontally.

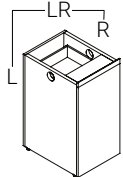
Options

Electrical Wire Management



\$0

Grommet



MGR
\$0

Lock



\$46 ea.

Prices

Dimensions			
A	B	C	
20	30	16	971
20	30	24	1015
20	30	28	1082
20	30	35	1152
20	36	16	1035
20	36	24	1076
20	36	28	1155
20	36	35	1233
24	30	16	986
24	30	24	1030
24	30	28	1098
24	30	35	1166
24	36	16	1052
24	36	24	1093
24	36	28	1172
24	36	35	1250

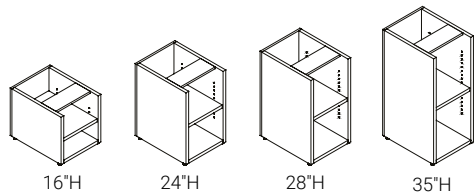
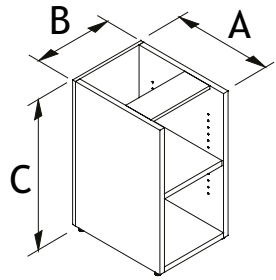
How to Order

VO	ABC	ARIND	EM	MGR L MGR R MG LR	H071 H072 WD (std)	Finishes See the Logiflex Color Guide	LKBL LKSN
series	dimensions	code	electricity	grommet	handle	wood color	lock
Example	VO	201524	ARIND		WD	GW	

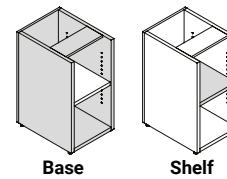
Modular Storage

Independent Bookcases

BBIND



Combination of Colors



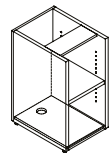
Manufacturing Standards

- Pedestals without tops;
- 1 adjustable shelf.

Note: The actual depth dimension (A) is 3/4" less than the dimension indicated.

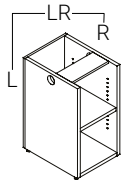
Options

Electrical Wire Management



\$0

Grommet



MGR
\$0

Prices

Dimensions			
A	B	C	
20	15	16	646
20	15	24	677
20	15	28	740
20	15	35	786
20	18	16	654
20	18	24	686
20	18	28	749
20	18	35	794
24	15	16	662
24	15	24	694
24	15	28	757
24	15	35	813
24	18	16	671
24	18	24	701
24	18	28	765
24	18	35	819

How to Order

VO	ABC	BBIND	EM	MGR L MGR R MG LR
series	dimensions	code	electricity	grommet

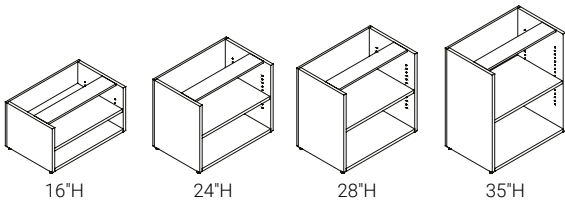
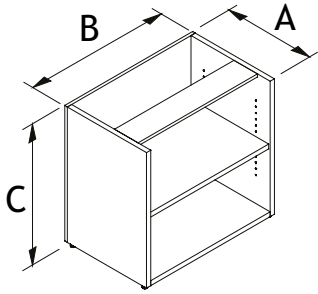
Example VO 20 15 16 BBIND

Pricing and dimensions are continued on the following page

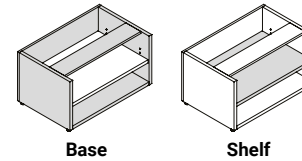
Modular Storage

Independent Bookcases (continued)

BBIND



Combination of Colors



Manufacturing Standards

- Pedestals without tops;
- 1 adjustable shelf.

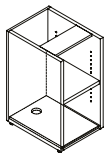
Note: The actual depth dimension (A) is 3/4" less than the dimension indicated.

Prices

Dimensions			
A	B	C	
20	36	16	662
20	36	24	694
20	36	28	756
20	36	35	801
20	42	16	671
20	42	24	700
20	42	28	764
20	42	35	810
20	48	16	678
20	48	24	710
20	48	28	773
20	48	35	818
24	36	16	678
24	36	24	711
24	36	28	774
24	36	35	827
24	42	16	687
24	42	24	719
24	42	28	781
24	42	35	836
24	48	16	695
24	48	24	728
24	48	28	791
24	48	35	843

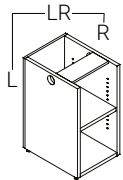
Options

Electrical Wire Management



\$0

Grommet



MGR

\$0

How to Order

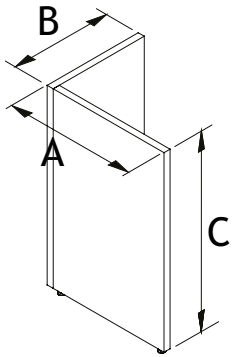
VO	ABC	BBIND	EM	MGR L MGR R MG LR
series	dimensions	code	electricity	grommet

Example VO 20 36 16 BBIND

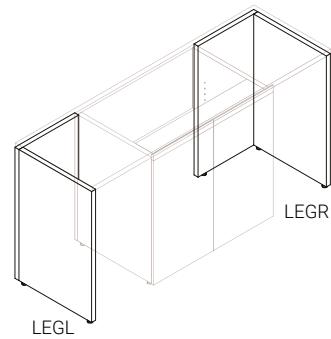
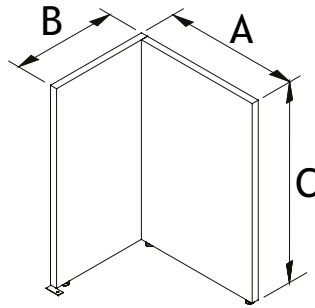
Modular Storage

Corner Legs

LEGL



LEGR



Manufacturing Standards

- 1" laminate corner legs;
- Junction plate.

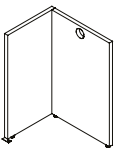


Tips & Tricks

This is a great product to create space for your CPU

Options

Leg Grommet



MGR
\$0

How to Order

VO	ABC	LEG	L R	MGR
series	dimensions	code	orientation	leg grommet

Example **VO** 191524 **LEG** L **MGR**

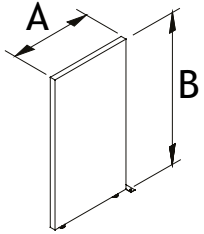
Prices

Dimensions	
A B C	
19 15 24	237
19 18 24	254
19 30 24	269
19 36 24	297
19 15 28	243
19 18 28	258
19 30 28	273
19 36 28	301
23 15 24	245
23 18 24	260
23 30 24	276
23 36 24	304
23 15 28	249
23 18 28	265
23 30 28	279
23 36 28	309

Modular Storage

Back Panel

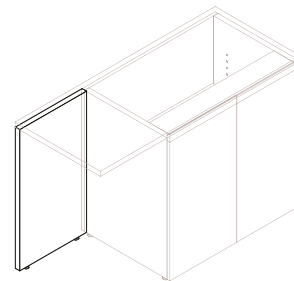
BACK



Manufacturing Standards

- 1" laminate back panel;
- Junction plate.

Important Safety Note:
This product is not designed to support a bridge top.



Prices

Dimensions	
A	B
15 16	127
15 24	132
15 28	144
18 16	130
18 24	135
18 28	148

How to Order

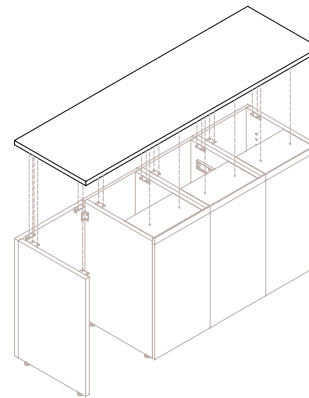
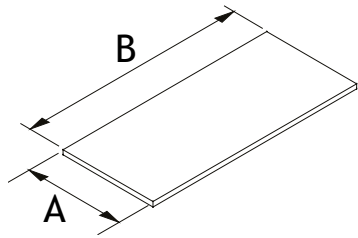
	AB		L R LR
VO		BACK	
series	dimensions	code	position

Example **VO** 1816 **BACK** L

Modular Storage

Tops for Independent Pedestals

TPED



Manufacturing Standards

- 1" laminate top for pedestals without tops.

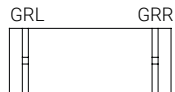
Wood finishes: Available colors for legs, aprons and surface grommets: White Wash **WW**, Golden Wheat **GW**, Sand **SD**, Apricot **AT**, Pecan **PN**, Brandy **BR**, Chestnut **CT**, Coffee **CF**, Espresso **ES**, Bordeaux **BO**, Black Wash **BW** and Bark **BK**.

Option: Wood surface grommets are not offered for surfaces less than 30" wide.

Note: The actual depth dimension (A) is 3/4" less than the indicated dimension to allow clearance to the covering front.

Options

Wood Surface Grommet



\$296 ea.

Prices

Dimensions	
A	B
20 15	91
20 18	91
20 30	95
20 36	114
20 45	142
20 48	150
20 54	172
20 60	190
20 66	210
20 72	229
20 75	236
20 84	266
20 90	286
24 15	91
24 18	91
24 30	114
24 36	136
24 45	172
24 48	182
24 54	207
24 60	229
24 66	252
24 72	273
24 75	286
24 84	318
24 90	342

How to Order

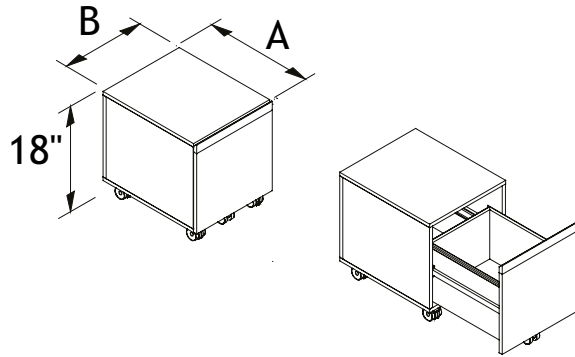
AB		TPED	GRL GRR GLR	Finishes <i>See the Logiflex Color Guide</i>
VO				
series	dimensions	code	grommet position	wood color

Example VO 2036 TPED GRL GW

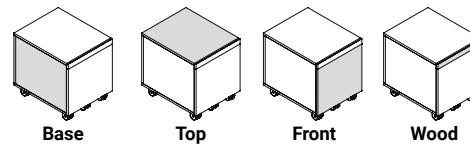
Storage

Mobile Pedestal

MOBC



Combination of Colors



Manufacturing Standards

- Delivered with the casters disassembled;
- 1 file drawer;
- 5 casters with locks;
- Doors with integrated wood handles;
- Vertical wood grain on front;
- Height: 18".

Dimension B:

LS: letter format (15-1/2")

X: legal format (18-1/2")

Handles: Available colors for handles: White Wash **WW**, Golden Wheat **GW**, Sand **SD**, Apricot **AT**, Pecan **PN**, Brandy **BR**, Chestnut **CT**, Coffee **CF**, Espresso **ES**, Bordeaux **BO**, Black Wash **BW** and Bark **BK**.

For handles other than the wood standard, see [Appendix D](#).

Options

Lock



\$46 ea.

Prices

Dimensions	
A	B
19 LS	791
19 X	800
23 LS	809
23 X	821

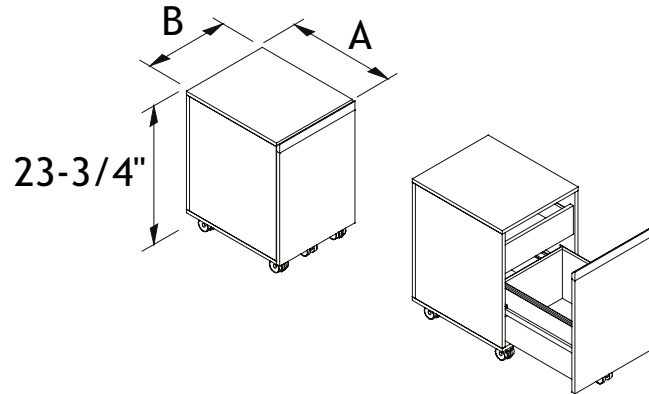
How to Order

VO	19LS 19X 23LS 23X	MOBC	WD (std)	Finishes See the Logiflex Color Guide	LKBL LKSN
series	dimensions	code	handle	wood color	lock
Example	VO	19LS	MOBC	WD	GW

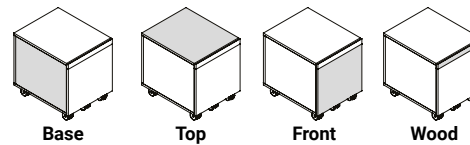
Storage

Mobile Pedestal

MOBD



Combination of Colors



Manufacturing Standards

- Delivered with the casters disassembled;
- 1 utility drawer
- 1 file drawer;
- 5 casters with locks;
- Doors with integrated wood handles;
- Vertical wood grain on front;
- Height: 23-3/4.

Dimension B:

LS: letter format (15-1/2")

X: legal format (18-1/2")

Handles: Available colors for handles: White Wash **WW**, Golden Wheat **GW**, Sand **SD**, Apricot **AT**, Pecan **PN**, Brandy **BR**, Chestnut **CT**, Coffee **CF**, Espresso **ES**, Bordeaux **BO**, Black Wash **BW** and Bark **BK**.

For handles other than the wood standard, see [Appendix D](#).

Options

Lock



\$46 ea.

Prices

Dimensions	
A	B
19 LS	912
19 X	929
23 LS	939
23 X	954

How to Order

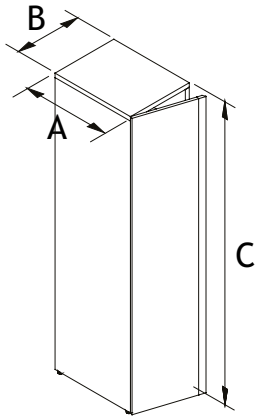
VO	19LS 19X 23LS 23X	MOBD	WD (std)	Finishes See the Logiflex Color Guide	LKBL LKSN
series	dimensions	code	handle	wood color	lock
Example VO	19LS	MOBD	WD	GW	

Storage

Wardrobes with One Door

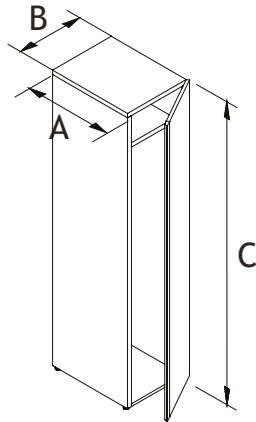
VL

Door opening to the left

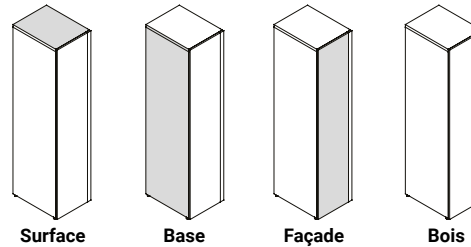


VR

Door opening to the right



Combination of Colors



Manufacturing Standards

- 1-door wardrobe;
- Soft close, push-to-open doors and integrated wood handle;
- 1 fixed shelf;
- 1 clothes rail;
- Ventilation grill in back;
- Vertical wood grain on front.

Handles: Available colors for legs, aprons and surface grommets: White Wash **WW**, Golden Wheat **GW**, Sand **SD**, Apricot **AT**, Pecan **PN**, Brandy **BR**, Chestnut **CT**, Coffee **CF**, Espresso **ES**, Bordeaux **BO**, Black Wash **BW** and Bark **BK**.

For handles other than the wood standard, see [Appendix D](#).

Options

Lock



\$46 ea.

Prices

Dimensions	
A B C	
20 15 51	1188
20 15 54	1218
20 15 60	1249
20 15 64	1281
20 15 66	1327
20 18 51	1207
20 18 54	1239
20 18 60	1268
20 18 64	1300
20 18 66	1345
24 15 51	1212
24 15 54	1244
24 15 60	1276
24 15 64	1306
24 15 66	1353
24 18 51	1231
24 18 54	1263
24 18 60	1294
24 18 64	1327
24 18 66	1376

How to Order

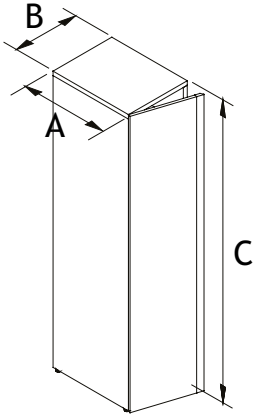
	ABC	VL VR	WD (std)	Finishes See the Logiflex Color Guide	LKBL LKSN
VO					
series	dimensions	code	handle	wood color	lock
Example	VO	201560	VL	WD	GW

Storage

Cabinets with One Door

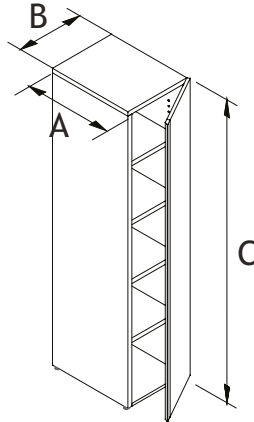
ARL

Door opening to the left

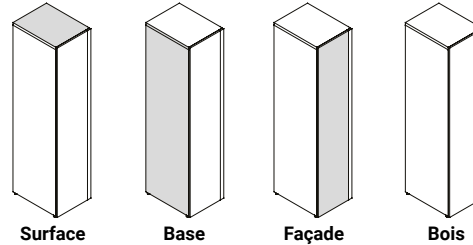


ARR

Door opening to the right



Combination of Colors



Manufacturing Standards

- 1-door cabinet;
- Soft close, push-to-open doors and integrated wood handle;
- Adjustable shelves;
- Vertical wood grain on front.

Adjustable Shelves:

- 51" to 60": 3 adjustable shelves
- 64" to 66": 4 adjustable shelves

Handles: Available colors for legs, aprons and surface grommets: White Wash **WW**, Golden Wheat **GW**, Sand **SD**, Apricot **AT**, Pecan **PN**, Brandy **BR**, Chestnut **CT**, Coffee **CF**, Espresso **ES**, Bordeaux **BO**, Black Wash **BW** and Bark **BK**.

For handles other than the wood standard, see [Appendix D](#).

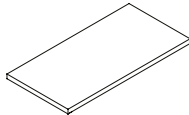
Options

Lock



\$46 ea.

Adjustable Shelves



SH

Dimensions

A B

2015	46
2018	55
2415	55
2418	66

Prices

Dimensions

A B C

20 15 51	1240
20 15 54	1281
20 15 60	1321
20 15 64	1365
20 15 66	1437

20 18 51	1258
20 18 54	1300
20 18 60	1342
20 18 64	1385
20 18 66	1461

24 15 51	1264
24 15 54	1306
24 15 60	1348
24 15 64	1392
24 15 66	1470

24 18 51	1284
24 18 54	1327
24 18 60	1369
24 18 64	1413
24 18 66	1489

How to Order

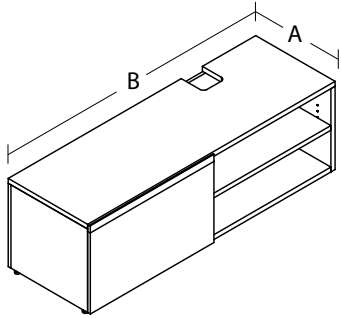
	ABC	ARL ARR	WD (std)	Finishes See the Logiflex Color Guide	LKBL LKSN	SH
VO						
series	dimensions	code	poignée	couleur de bois	serrure	tablettes
Example VO	201560	ARL	WD	GW		SH

Storage

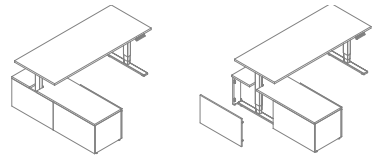
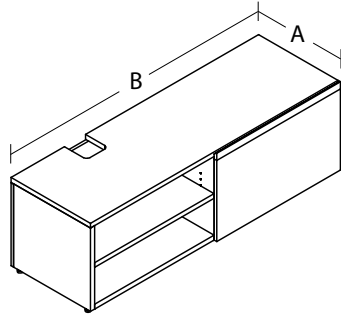


Credenzas for Height Adjustable Table

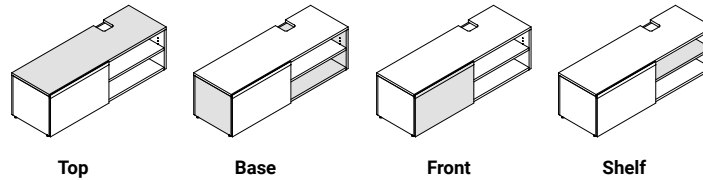
CLOEP



OCLEP



Color Combinations



Manufacturing Standards

- Credenza for Height Adjustable Table:
- Storage that integrates one of the legs of an Elevation Plus table with removable back at the rear which hides the Elevation Plus leg;
 - 1 sliding drawer front with integrated wood handle;
 - 1 lateral file drawer for letter and legal formats and 1 open storage with 1 adjustable shelf;
 - White nylon levelers;
 - Interior height: 16-1/2";
Total height: 19".

For 29" deep tables only;
Not compatible with SMSS/SMUU modesties;
The table will be positioned with a clearance of 1" on the side and visitor side.
Note: The actual depth dimension (A) is 3/4" less than the indicated dimension to allow clearance to the covering front.

Options

Electrical Wire Management 0\$	Grommet MGR 0\$	Lock \$46
--	---	-------------------------

Prices

Dimensions	
A	B
20 60	1885
24 60	1947

How to Order

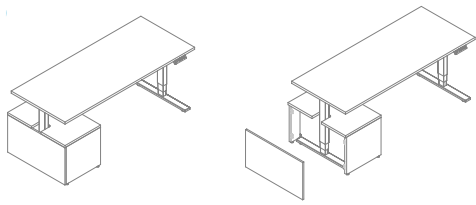
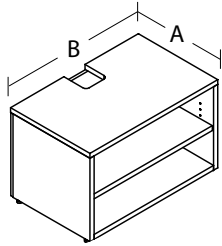
VO	AB	CLOEP OCLEP	EM	MGR L MGR R MG LR	H071 H072 WD (std)	Finishes See the Logiflex Color Guide	LKBL LKSN
Serie	Dimensions	Product	Electricity	Grommet	Handle	Wood color	Lock
Example VO	2060	CLOEP	EM	MG LR	WD	GW	LKSN

Storage

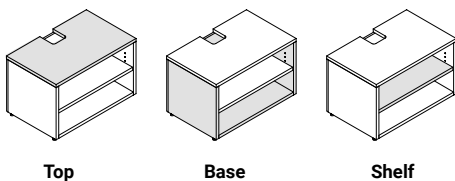


Bookcase for Height Adjustable Table

BBLEP



Color Combinations



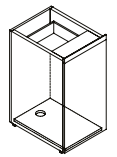
Manufacturing Standards

- Bookcase for Height Adjustable Table:
- Bookcase that integrates one of the legs of an Elevation Plus table with removable back at the rear which hides the Elevation Plus leg;
 - 1 adjustable shelf;
 - White nylon levelers;
 - Interior height: 16-1/2";
Total height: 19".

For 29" deep tables only;
Not compatible with SMSS/SMUU modesties;
The table will be positioned with a clearance of 1" on the side and visitor side.
Note: *The actual depth dimension (A) is 3/4" less than the indicated dimension to align with the depths of the credenzas.*

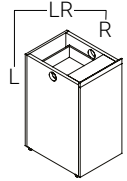
Options

Electrical Wire Management



\$0

Grommet



MGR
\$0

Prices

Dimensions	
A	B
20 31	803
24 31	838

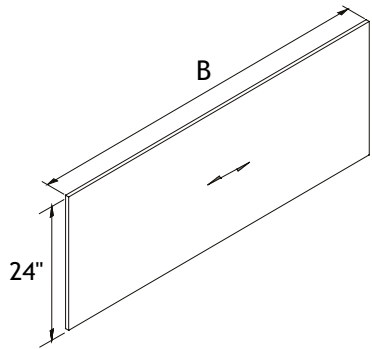
How to Order

VO	AB	BBLEP	EM	MGR L MGR R MG LR
Serie	Dimensions	Product	Electricity	Grommet
Example VO	2060	BBLEP	EM	MG LR

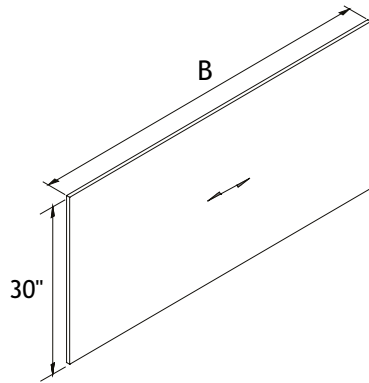
Storage

Wall Panels

WP 24



WP 30



Manufacturing Standards

- 5/8" laminate wall panel;
- Horizontal wood grain;
- 4 mounting clips;
- 4 wall anchors;
- Maximum wall panel capacity: 100 lbs.

Attention: Logiflex is not responsible for the installation of wall storage. This responsibility belongs entirely to the distributor or the client.

Prices

WP24

Dimensions	
A	B
24 24	173
24 30	181
24 36	188
24 42	197
24 48	212
24 54	221
24 60	232
24 66	243
24 72	253

WP30

Dimensions	
A	B
30 24	184
30 30	192
30 36	206
30 42	216
30 48	232
30 54	243
30 60	254
30 66	266
30 72	278

How to Order

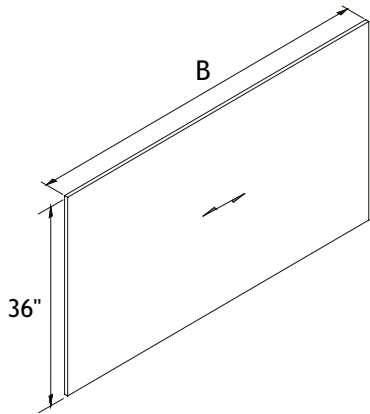
AB		
VO		WP
series	dimensions	code

Example VO 3060 WP

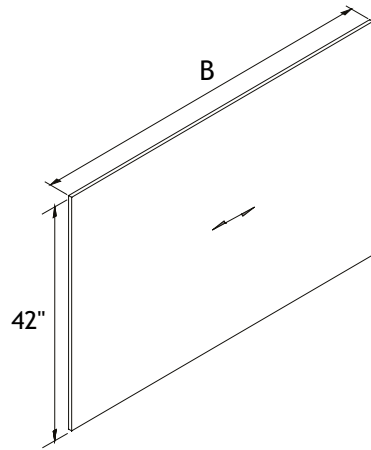
Storage

Wall Panels

WP 36



WP 42



Manufacturing Standards

- 5/8" laminate wall panel;
- Horizontal wood grain;
- 4 mounting clips;
- 4 wall anchors;
- Maximum wall panel capacity: 100 lbs.

Attention: Logiflex is not responsible for the installation of wall storage. This responsibility belongs entirely to the distributor or the client.

Prices

WP24

Dimensions	
A	B
36 24	194
36 30	208
36 36	219
36 42	234
36 48	251
36 54	263
36 60	275
36 66	289
36 72	309

WP30

Dimensions	
A	B
42 24	209
42 30	222
42 36	236
42 42	254
42 48	276
42 54	294
42 60	309
42 66	323
42 72	342

How to Order

AB		
VO		WP
series	dimensions	code

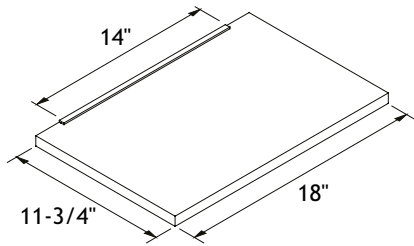
Example

VO	3660	WP
----	------	----

Storage

Wall Shelves

WS



Manufacturing Standards

- Delivered disassembled;
- 3/4" Cherrywood shelf;
- 14" satin aluminum shelf bracket;
- Maximum shelf capacity: 25 lbs.

Shelf option: Fixed dimensions are 11-3/4" x 18".

Recommended number of shelves per panel:

- 24" - 36" wide panels: 1 shelf;
- 42" - 54" wide panels: maximum 2 shelves;
- 60" - 72" wide panels: maximum 3 shelves.

Wood finishes: Available colors: White Wash **WW**, Golden Wheat **GW**, Sand **SD**, Apricot **AT**, Pecan **PN**, Brandy **BR**, Chestnut **CT**, Coffee **CF**, Espresso **ES**, Bordeaux **BO**, Black Wash **BW** and Bark **BK**.

Attention: Logiflex is not responsible for the installation of wall storage. This responsibility belongs entirely to the distributor or the client.

Prices

Dimensions

WS	404
----	-----

How to Order

Finishes
See the
Logiflex
Color Guide

VO	WS	
series	code	wood color

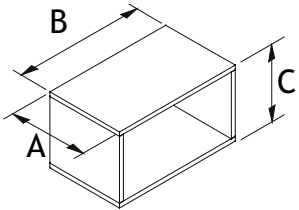
Example **VO** **WS** **GW**

Storage



Wall Hutches

HOW



Manufacturing Standards

- Open wall unit;
- 5/8" laminate construction;
- Aluminum Z-bar wall mount.

Attention: Logiflex is not responsible for the installation of wall storage. This responsibility belongs entirely to the distributor or the client.

Prices

Dimensions			
A	B	C	
10	10	10	452
10	15	10	458
10	20	10	461
10	25	10	469
10	30	10	473
10	36	10	478
10	42	10	482
<hr/>			
10	10	15	475
10	15	15	478
10	20	15	482
10	25	15	487
10	30	15	492
10	36	15	497
10	42	15	503
<hr/>			
15	10	10	483
15	15	10	490
15	20	10	493
15	25	10	499
15	30	10	504
15	36	10	509
15	42	10	514
<hr/>			
15	10	15	501
15	15	15	504
15	20	15	509
15	25	15	516
15	30	15	521
15	36	15	525
15	42	15	530

How to Order

A B C		
VO		HOW
series	dimensions	code

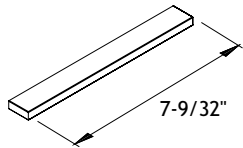
Example **VO** 102015 **HOW**

Accessories

Miscellaneous Accessories

H071

Handle

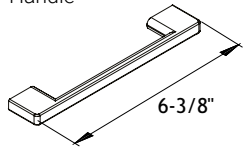


- 7-9/32" metal handle;
- 6-5/16" (160.338mm) center to center.

Code	\$	Description
H071CHR	15	Chrome
H071BN	15	Brushed Nickel
H071BL	15	Black
H071WH	15	White

H072

Handle

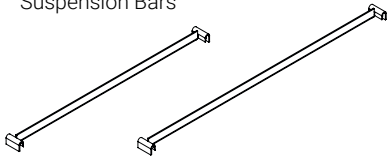


- 6-3/8" metal handle;
- 5-1/32" (127.8mm) center to center.

Code	\$	Description
H072CHR	15	Chrome
H072BL	15	Black
H072WH	15	White

SB

Suspension Bars

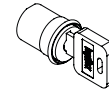


- Short suspension bars: 1 or 2 suspension bars for a left/right filing for a regular file drawer;
- Long suspension bars: 1 or 2 suspension bars for a front/back filing for a lateral file drawer.

Code	\$	Description
SBV1	7	1 short suspension bar
SBV2	14	2 short suspension bars
SBH1	7	1 long suspension bar
SBH2	14	2 long suspension bars

LK

Lock



- Locks with keys
- Finish: Satin nickel or black finish;
- Additional locks, sold separately or factory installed;
- Please specify the type of furniture on which the will be installed.

Code	\$	Description
LKSN	46	Satin Nickel lock (factory installed)
LKBL	46	Black lock (factory installed)

LKSNF	29	Satin Nickel front lock
LKBLF	29	Black front lock

LKSNP	29	Satin Nickel door lock
LKBLP	29	Black door lock

KEY	21	Set of 2 keys - #501 - 600
SERR 010	21	1 master key

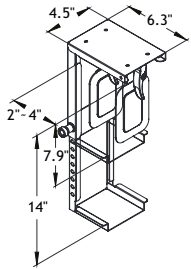


Accessories

CPU Holders

MCPU50

Miniature CPU Holder

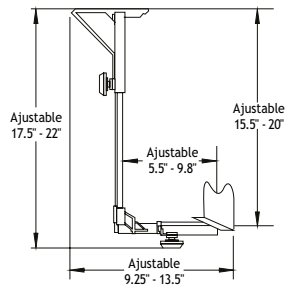


- Height adjustable: 8" - 14";
- Width adjustable: 2" - 4";
- Maximum capacity: 10 kg (22 lbs);
- Need a minimum 5" deep clearance.

Code	\$	Description
MCPU50	184	

MCPU90

CPU Holder

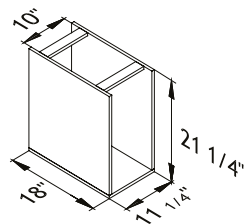


- Black metal CPU holder;
- Easy manipulation;
- Vertical adjustment:
 - Height: 15.5" x 20"
 - Width: 5.5" x 9.8"
- Horizontal adjustment:
 - Height: 17.5" x 22"
 - Width: 9.25" x 13.5"

Code	\$	Description
MCPU90	221	<i>per unit</i>

CPUIND

CPU Holder



- 5/8" thick laminate CPU holder;
- 10" x 20" interior

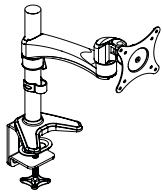
Code	\$	Description
CPUIND	188	<i>per unit</i>

Accessories

Computer Monitor Brackets

C-1A

Computer Monitor Bracket

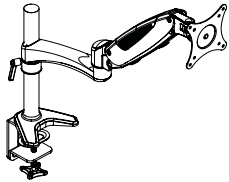


- Computer monitor bracket with fixed arm support;
- Height-adjustable arm;
- Clamp mounted;
- Finish: Black.

Code	\$	Description
C-1A	149	

C-1B

Computer Monitor Bracket

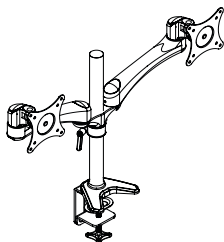


- Computer monitor bracket with flexible arm support;
- Height-adjustable arm;
- Clamp mounted;
- Finish: Black.

Code	\$	Description
C-1B	253	

C-2A

Double Computer Monitor Bracket

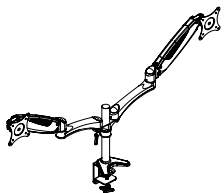


- Double computer monitor bracket with fixed arm support;
- Height-adjustable arms;
- Clamp mounted;
- Finish: Black.

Code	\$	Description
C-2A	252	

C-2B

Double Computer Monitor Bracket

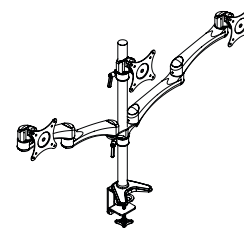


- Double computer monitor bracket with flexible arm support;
- Height-adjustable arms;
- Clamp mounted;
- Finish: Black.

Code	\$	Description
C-2B	449	

C-2A-1S

Triple Computer Monitor Bracket

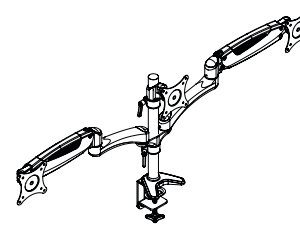


- Triple computer monitor bracket with fixed arm support;
- Height-adjustable arms;
- Clamp mounted;
- Finish: Black.

Code	\$	Description
C-2A-1S	434	

C-2B-1S

Triple Computer Monitor Bracket

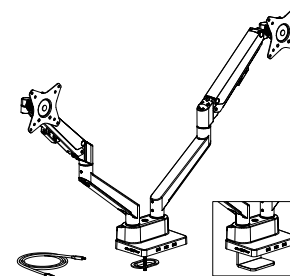


- Triple monitor bracket with 2 flexible arm supports;
- Height-adjustable arms;
- Clamp mounted;
- Finish: Black.

Code	\$	Description
C-2B-1S	491	

SHIFT-2A

Shift Double Monitor arm with Docking



- 17" to 32" dual monitor arm support with flexible arms;
- 75mm and 100mm versa plate;
- Height adjustable arms that holds up to 8 kg (each);
- Clamp or Grommet mounted;
- Finish: Black;
- 8-in-1 Multiport docking station with:
 - 1 x Type - C Power distribution Port (100w)
 - 1 x Type - C Upstream port with type C cable included
 - 3 x USB-A Downstream ports
 - 2 x HDMI 2.0 Ports
 - 1 x RJ45 Ethernet port

Power distribution cable not included, follow electronic devices input recommendations.

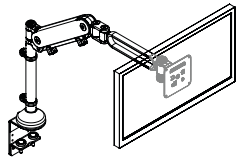
Code	\$	Description
SHIFT-2A	680	

Accessories

Computer Monitor Brackets

BRSC1M4

Monitor Arm



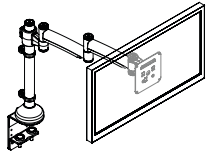
- Monitor arm with height-adjustable arm, clamp-mounted;
- Finish: Satin nickel.

Code	\$	Description
BRSC1M4	733	

This is a Human Scale product.

BRSC1M7

Monitor Arm



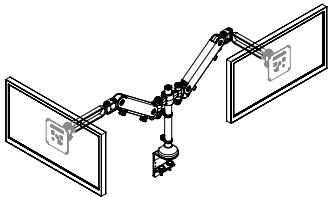
- Monitor arm with fixed-height arm, clamp-mounted;
- Finish: Satin nickel.

Code	\$	Description
BRSC1M7	520	

This is a Human Scale product.

BRSC2M4

Double Monitor Arm



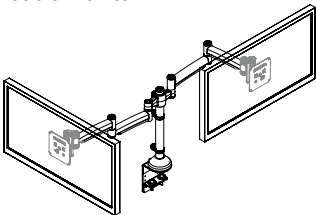
- Double monitor arm with height-adjustable arm, clamp-mounted;
- Finish: Satin nickel.

Code	\$	Description
BRSC2M4	1289	

This is a Human Scale product.

BRSC2M7

Double Monitor Arm



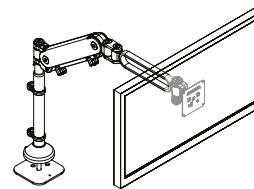
- Double monitor arm with fixed-height arm, clamp-mounted;
- Finish: Satin nickel.

Code	\$	Description
BRSC2M7	800	

This is a Human Scale product.

BRSG1M4

Computer Monitor Bracket



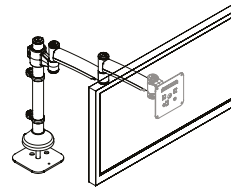
- Computer monitor bracket with height-adjustable arm;
- Grommet mounted;
- Finish: Satin Nickel.

Code	\$	Description
BRSG1M4	705	

This is a Human Scale product.

BRSG1M7

Computer Monitor Bracket



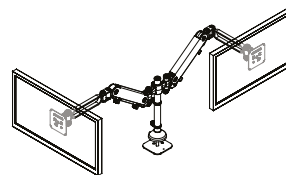
- Computer monitor bracket with fixed-height arm;
- Grommet mounted;
- Finish: Satin Nickel.

Code	\$	Description
BRSG1M7	483	

This is a Human Scale product.

BRSG2M4

Double Computer Monitor Bracket



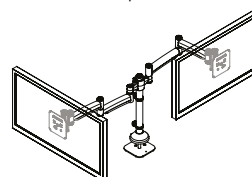
- Double computer monitor bracket with height-adjustable arm;
- Grommet mounted;
- Finish: Satin Nickel.

Code	\$	Description
BRSG2M4	1281	

This is a Human Scale product.

BRSG2M7

Double Computer Monitor Bracket



- Double computer monitor bracket with fixed height;
- Grommet mounted;
- Finish: Satin Nickel.

Code	\$	Description
BRSG2M7	763	

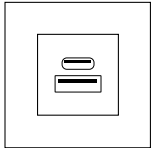
This is a Human Scale product.

Accessories

Electrical Accessories

SQC

Ports USB A+C

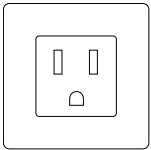


- Dual charger USB A+C;
- 72" cable;
- Finish: Black, Dusk, Navy, Storm

Code	\$	Description
SQC-72-C	276	● Black
SQC-72-JM	276	● Dusk
SQC-72-JL	276	● Navy
SQC-72-JK	276	● Storm

SQE

Electric plug

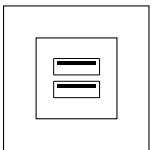


- Electric plug;
- Cable - 120";
- Finish: Black, Dusk, Navy, Storm.

Code	\$	Description
SQE-120-C	146	● Black
SQE-120-JM	146	● Dusk
SQE-120-JL	146	● Navy
SQE-120-JK	146	● Storm

SQU

USB port

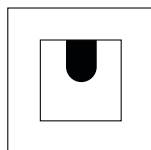


- 2 USB ports (passive);
- USB M/F cable - 72";
- Finish: Black, Dusk, Navy, Storm.

Code	\$	Description
SQU-72-C	240	● Black
SQU-72-JM	240	● Dusk
SQU-72-JL	240	● Navy
SQU-72-JK	240	● Storm

SQG

Grommet

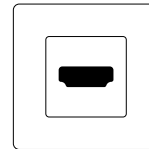


- Grommet;
- Finish: Black, Dusk, Navy, Storm.

Code	\$	Description
SQG-C	24	● Black
SQG-JM	24	● Dusk
SQG-JL	24	● Navy
SQG-JK	24	● Storm

SQH-C

HDMI connectivity port

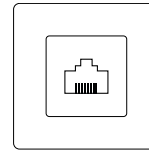


- HDMI connector;
- Finish: Black.

Code	\$	Description
SQH-C	168	● Black

SQD-C

RJ45, CAT 6 connectivity port

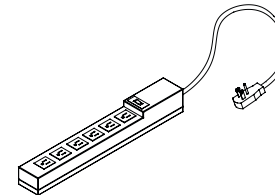


- RJ45, CAT6 DATA connector;
- Finish: Black.

Code	\$	Description
SQD-C	168	● Black

PBL

Power bar



- Power bar with 6 electric outlets;
- 120" power cable with electric plug;
- Can be installed under a top.

Code	\$	Description
PBL	66	

WM

Velcro Tie



- Velcro tie for electrical cable;
- The non-metallic buckle is safe to use around electrical devices;
- Dimensions: ¾" x 10";
- Color: black.

Code	\$	Description
WM	14	Unit price
WMS	15	with #8, 9/16" Robertson screw, per unit

As our product line is constantly evolving and expanding, we recommend that you visit logiflex.ca for updates.

logiflex

1235 St-Roch N., Sherbrooke QC J1N 0H2 Canada
T : 1.877.864.9323 | F : 1.800.474.7830 | logiflex.ca

March 3, 2025 | Canada