

Product Specifications

Salto Flip-top Table - FTR

Construction

- Simple and efficient one-handed tilt mechanism;
- Metal inserts under the surface to connect the tables, ganging-clamp sold separately (GCA2);
- Storage position: Tables can be arranged diagonally or zigzag;
- Storage space: Add 7-7/8" in depth and 2-1/2" in width for each additional table stored diagonally;
- Legs are made of steel and equipped with wheels with brakes. The leg height is 28-1/2". Leg diameter is 2-3/16";
- 300 lbs. weight capacity.

Finishes

- Surface : selection of 1" or 1-1/16" laminate finishes in Logiflex's colors and finishes guide;
- Legs available in 3 metal finishes: White (WH), Black (BL) et Satin Nickel (SN).
The color of the casters is determined according to the color of the leg.

Dimensions

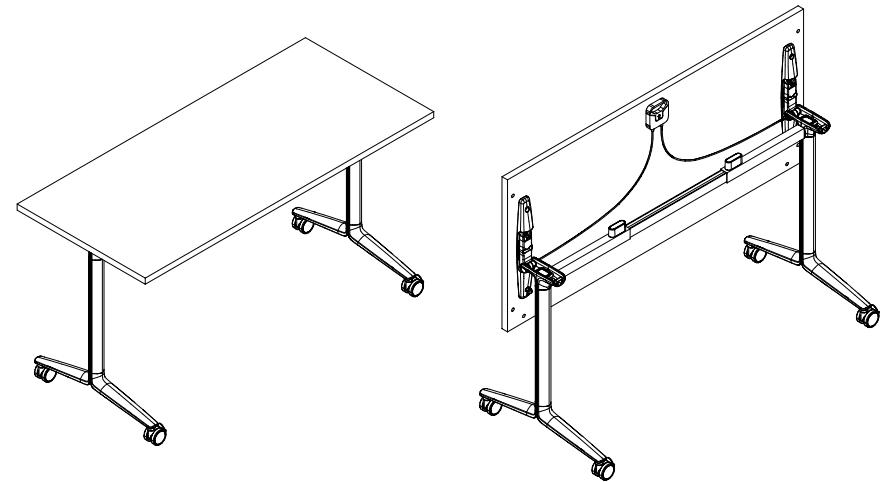
24"W x 48"D x 29-1/2"H	30"P x 48"L x 29-1/2"H
24"W x 54"D x 29-1/2"H	30"P x 54"L x 29-1/2"H
24"W x 60"D x 29-1/2"H	30"P x 60"L x 29-1/2"H
24"W x 72"D x 29-1/2"H	

Options

- Available grommets: ELPF and C_PF;
- Available sub-surface power accessories: BEL-UM, BCSS-IL, BEL-1 and BEL-2.

Features

- The Salto table complies with the ANSI/BIFMA x5.5-2021 standards;
- 5-year warranty against manufacturing defects and on the wood structure;
- The products are made in Quebec.



logiflex

Product Specifications

Salto Flip-top Table with Modesty - FTRM

Construction

- Simple and efficient one-handed tilt mechanism;
- Metal inserts under the surface to connect the tables, ganging-clamp sold separately (GCA2);
- Storage position: Tables can be arranged diagonally or zigzag;
- Storage space: Add 7-7/8" in depth and 2-1/2" in width for each additional table stored diagonally;
- Legs are made of steel and equipped with wheels with brakes. The leg height is 28-1/2". Leg diameter is 2-3/16";
- 300 lbs. weight capacity.

Finishes

- Surface and modesty: selection of 1" or 1-1/16" laminate finishes in Logiflex's colors and finishes guide;
- Legs available in 3 metal finishes: White (WH), Black (BL) et Satin Nickel (SN). The color of the casters is determined according to the color of the leg.

Dimensions

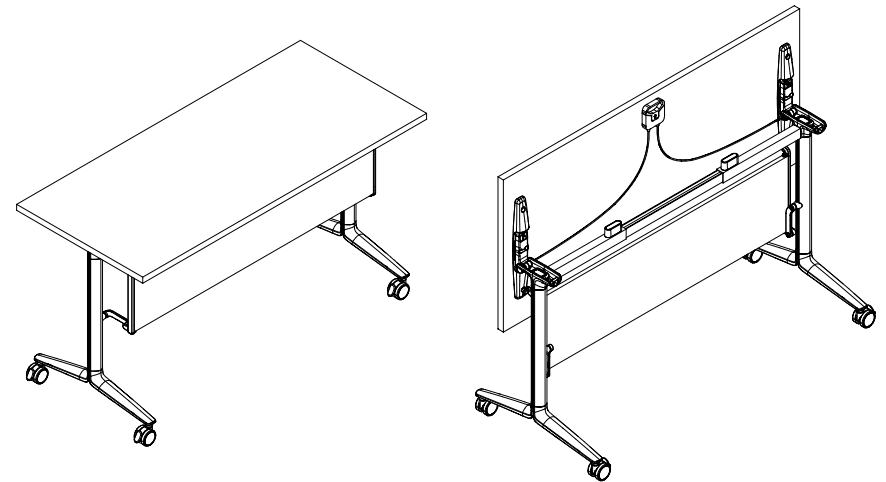
24"W x 48"D x 29-1/2"H	30"P x 48"L x 29-1/2"H
24"W x 54"D x 29-1/2"H	30"P x 54"L x 29-1/2"H
24"W x 60"D x 29-1/2"H	30"P x 60"L x 29-1/2"H
24"W x 72"D x 29-1/2"H	

Options

- Available grommets: ELPF and C_PF;
- Available sub-surface power accessories: BEL-UM, BCSS-IL, BEL-1 and BEL-2.

Features

- The Salto table complies with the ANSI/BIFMA x5.5-2021 standards;
- 5-year warranty against manufacturing defects and on the wood structure;
- The products are made in Quebec.



logiflex