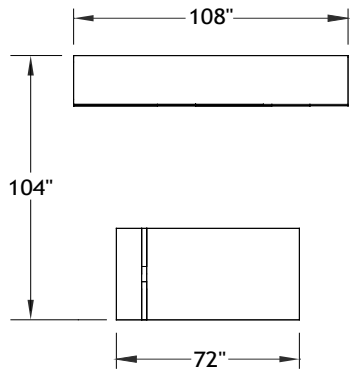


Typical Layouts

volt-c014



Laminate : Kali
 Top : Chalk (Monochrom)
 Wood : Sand
 Felt : Light Grey
 Outlets: Storm

Note: Fabrics are specified for informational purpose only and may be of different grades. Typical pricing is based on grade 2 fabric.



ITEM	QTY	CODE	DESCRIPTION	LIST PRICE \$	TOTAL \$
	1	VOMZ 3672 TPMF	Rectangular table 36" x 72" x 29"H - Felt modesty	4 224	4 224
A	1	[GRR]	Option - Wood surface grommet	273	273
	1	[PU]	Option - Power Outlet Cutout	0	0
	1	[PV]	Option - Power Outlet Cutout	0	0
B	1	VO 201866 ARL	Cabinet 20" x 18" x 66"H with one door	1 427	1 427
C	1	VO 203028 ARIND	Independent cabinet 20" x 30" x 28"H with two doors	1 111	1 111
D	2	VO 203028 KIND	Independent pedestal 20" x 30" x 28"H with filing cabinet	1 677	3 354
E	1	VO 2090 TPED	Top for independent pedestals 20" x 90"	279	279
F	1	VO 3660 WP	Wall panel 36" x 60"	276	276
G	1	VO 3630 WP	Wall panel 36" x 30"	207	207
H	2	VO WS	Wall shelf	404	808
I	1	VO 23LS MOBD	Mobile pedestal 23" x 15-1/2" x 23-3/4"H	877	877
				Total:	12 836
Seating					
J	1	-1	Cyrus chair - Grade 2	858	858
				Total:	858
Electrical Accessories					
	2	[SQE]	Electric plug	135	270
	2	[SQU]	USB port	222	444
				Total:	714