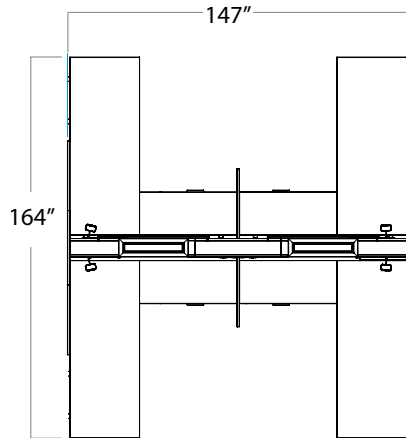


# Typical Layouts

xtension-c002c



Laminate: Polar White and Ingot Grey  
Metal: White

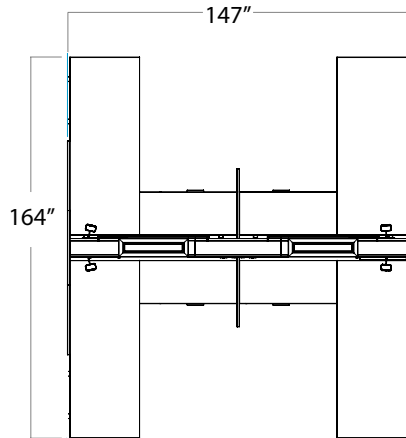
**Note:** Fabrics are specified for informational purpose only and may be of different grades.

ITEM	QTY	CODE	DESCRIPTION	LIST PRICE \$	TOTAL \$
A	2	XT 3054 PAN	Simple panel 30 X 54H	272	544
	2	[NR]	Option - Connectors on right	0	0
	2	XT 3254 EPANC	End panel 32 X 54H	284	568
B	2	[LR]	Option - Connectors on right and left	0	0
	2	[NGR]	Option - Grommet	0	0
	2	XT 3054 PAN	Simple panel 30 X 54H	272	544
C	2	[LN]	Option - Connectors on left	0	0
	2	XT 3054 PWL	Power wall 30 X 54H	849	1 698
	2	[AP2 WH]	Option - Electric box with cover plate, white	435	870
E	2	XT 2454 PWL	Power wall 24 X 54H	809	1 618
F	1	XT 3754 PWLX 3654	X-shaped power wall 37 X 54H X 36 X 54H	1566	1 566
G	2	XT 3078 TOP	Rectangular surface 30 X 78	376	752
	2	[SPR]	Option - Space for wiring on right	0	0
	2	XT 3078 TOP	Rectangular surface 30 X 78	376	752
H	2	[SPL]	Option - Space for wiring on left	0	0
I	4	XT 2612 TSUP	T-support 26 X 16	99	396
	2	XT 2072 OK25	High pedestal 20 X 72	1756	3 512
	2	[SPF]	Option - Space for wiring on front	0	0
J	2	[HO52WH]	Option - Handle, white	0	0
	2	[LKSN]	Option - Lock	0	0
	2	XT 2072 KO25	High pedestal 20 X 72	1756	3 512
K	2	[SPF]	Option - Space for wiring on front	0	0
	2	[HO52WH]	Option - Handle, white	0	0
	2	[LKSN]	Option - Lock	0	0

# Typical Layouts



## xtension-c002c (following)



Laminate: Polar White and Ingot Grey  
Metal: White

**Note:** Fabrics are specified for informational purpose only and may be of different grades.



ITEM	QTY	CODE	DESCRIPTION	LIST PRICE \$	TOTAL \$
	4	LV 1030 UAM C1	Acrylic divider screen 10"H X 30"L	298	1 192
L	4	[WH]	Option - White mounts	0	0
	4	[PL]	Option - Acrylic finish frosted	0	0
M	4	XT 1848 TBP WH	Hanging tackboard 18H X 48, grade 2	352	1 408
				Total:	18 932

### Accessories

N	4	PATTE30WH	Square white metal leg 30"	316	1 264
O	4	BR1WH	Branch unit white, 1 power outlet / 1 dual charger USB-a+c	522	2 088
P	4	LPLANTP WH	Metal planter box white	434	1 736
Q	4	CNTC01 WH	Slender cantilever support	25	100
R	8	RSTF52	Stiffener 52"	93	744
S	1	IGS	Installation guide for surface supports	127	127
T	2	IGWM	Installation guide for wire management space	50	100
				Total:	5 932

### Electrical Accessories

	1	BE-HW-84	Hardwired conduit power entry 84"	198	198
	1	BE-J120	Junction cable 120"	279	279
	1	BE-J18	Junction cable 18"	124	124
	1	BE-J36	Duplex, circuit 1, 20A	143	143
	2	BE-D20-C-1-WH	Duplex, circuit 2, 20A	54	108
	2	BE-D20-C-2-WH	Duplex, circuit 3, 20A	54	108
	2	BE-D20-C-3-WH	Duplex, circuit 4, 20A	54	108
	2	BE-D20-C-4-WH	Telecom plate	54	108
	4	BE-TELB-WH	Blank telecom plate	6	24
	4	BE-TELA-WH	Connectivity port (RJ45, CAT6 data)	6	24
	4	POR01	Connectivity port (RJ11)	144	576
	4	POR02		42	168
				Total:	1 968