

LOGILIFE

Price List
CANADA 2025



logiflex

Table of Contents

| | | | | | |
|-------------------------------------|-----------|---------------------------------------|-----------|-----------------------------|-----------|
| Introduction | 3 | Tables Series | 53 | Lounge Seating | 87 |
| Update Summary | 4 | Manufacturing Standards | 54 | Flint | 88 |
| Our social responsibility | 7 | All Purpose Tables | 55 | Flint Armchair - levelers | 88 |
| Conditions of Sale | 7 | Flex Tables | 61 | Flint Loveseat - levelers | 89 |
| How to Use the Price List | 8 | Occasional Tables | 62 | Flint Sofa - levelers | 90 |
| Appendix A: Colors and Finishes | 9 | Overbed Table | 70 | Flint Armchair - oval legs | 91 |
| Appendix B: COM Fabric | 10 | Seating | 71 | Flint Loveseat - oval legs | 92 |
| Appendix C: Customized Products | 12 | Hosta | 72 | Flint Sofa - oval legs | 93 |
| Classic Series | 13 | Manufacturing Standards | 73 | Taylor | 94 |
| Manufacturing Standards | 14 | Hosta - Patient Armchairs | 74 | Taylor Armchair | 94 |
| Bedside Cabinet | 15 | Hosta - Guest and Bariatric Armchairs | 75 | Taylor Loveseat | 95 |
| Dressers | 17 | Hosta - Tandem Seating | 76 | Taylor Sofa | 96 |
| Hutches | 19 | Hosta - General Purpose Chairs | 77 | Classic - Day Bed | 97 |
| Wardrobes | 21 | Hosta - Slip-on Head Cover | 78 | Day Bed | 97 |
| Storage Towers | 29 | Mika | 79 | Freestanding Screens | 98 |
| Rectangular Headboard and Footboard | 31 | Manufacturing Standards | 80 | Freestanding Screens | 98 |
| Modern Series | 33 | Mika - Patient Armchairs | 81 | Accessories | 99 |
| Manufacturing Standards | 34 | Mika - Guest and Bariatric Armchairs | 82 | Handles | 100 |
| Bedside Cabinet | 35 | Mika - Tandem Seating | 83 | Legs | 101 |
| Dressers | 37 | Mika - General Purpose Chairs | 84 | Miscellaneous Accessories | 102 |
| Hutches | 39 | Mika - Slip-on Head Cover | 85 | | |
| Wardrobes | 41 | Stackable Chair | 86 | | |
| Storage Towers | 49 | Stack6 - Visitor chair | 86 | | |
| Rectangular Headboard and Footboard | 51 | | | | |



Introduction

Update Summary

The Logilife price list presents these principal modifications:

| DATE | SECTION | MODIFICATIONS |
|---------------|--------------------|---|
| March 3, 2025 | All the Price List | <ul style="list-style-type: none"> All prices have been increased by approximately 3%. |
| | Armchairs | <ul style="list-style-type: none"> Modification of Hosta and Mika product pages. |

Previous date:

| DATE | SECTION | MODIFICATIONS |
|-------------------|--------------------|--|
| January 14, 2025 | Armchairs | <ul style="list-style-type: none"> Removal of Dean armchairs. Addition of Flint armchairs on levelers and Flint armchairs on oval metal legs. |
| June 19, 2024 | Armchairs | <ul style="list-style-type: none"> Modification of Taylor product codes. Modification of color combination options for Taylor. |
| March 1, 2024 | All the Price List | <ul style="list-style-type: none"> All prices have been increased by approximately 5% except products with HPL surface. The Logilife LFL series has been increased by 10%. |
| November 22, 2023 | Appendix A | <ul style="list-style-type: none"> Removal of high gloss finish. |
| July 24, 2023 | All the Price List | <ul style="list-style-type: none"> Removal of series with thermoplastic Tradition, Shaker and Artisan. Removal of some oversize wardrobes. |
| February 1, 2023 | All the Price List | <ul style="list-style-type: none"> All prices have been increased by approximately 5%. Transition from 6 to 14 grades of fabric. New certification Indoor Advantage Gold (replace Greenguard). Removal of the coaster option for LFT, LFC & LFS. |

Introduction

Product Map

LFC - Classic Series

Bedside Cabinets p. 15



Dressers p. 17



Hutches p. 19



Wardrobes p. 21



Storage Towers p. 29



Headboards and Footboards p. 31



Freestanding Screens p. 98



LFM - Modern Series

Bedside Cabinets p. 35



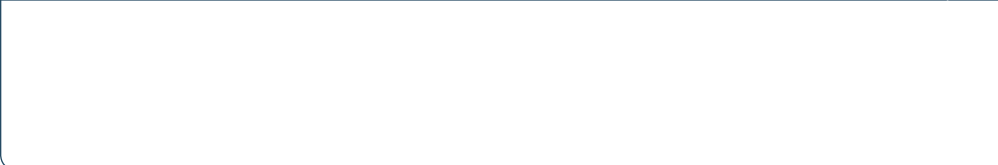
Dressers p. 37



Hutches p. 39



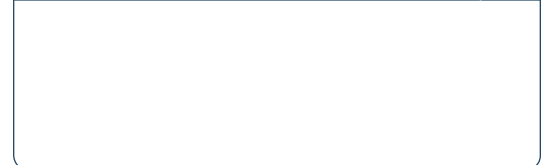
Wardrobes p. 41



Storage Towers p. 49



Headboards and Footboards p. 51



Introduction

Product Map

Tables

| | |
|--------------------|-------|
| All-Purpose Tables | p. 55 |
|--------------------|-------|

| | |
|-------------|-------|
| Flex Tables | p. 61 |
|-------------|-------|

| | |
|-------------------|-------|
| Occasional Tables | p. 62 |
|-------------------|-------|



| | |
|---------------|-------|
| Overbed Table | p. 70 |
|---------------|-------|

Seating

| | |
|-------------|-------|
| LFH - Hosta | p. 72 |
|-------------|-------|

| | |
|------------|-------|
| LFK - Mika | p. 79 |
|------------|-------|

| | |
|---------------|-------|
| Visitor Chair | p. 86 |
|---------------|-------|

| | |
|-------|-------|
| Flint | p. 86 |
|-------|-------|

| | |
|--------|-------|
| Taylor | p. 89 |
|--------|-------|

| | |
|---------|-------|
| Day Bed | p. 97 |
|---------|-------|

Our social responsibility

At Logiflex, we have chosen to be a responsible North American manufacturer by implementing initiatives for sustainable development. As much as possible, we source local materials and partner with suppliers who prioritize clean manufacturing processes. We also consolidate goods during transport to reduce fuel consumption and we continually make changes that help reduce our waste production.

The company is ISO 9001 certified.

You can consult our eco-responsible approach as well as all our certifications in the Certifications section of our website. Find out how our products can help you obtain LEED credits and the Logiflex products that are Indoor Advantage Gold certified.

Conditions of Sale

Prices

The amounts listed in this document are suggested retail prices and may be changed without notice. Applicable taxes are not included. If you have an open and active account with Logiflex, merchandise will be invoiced at the prices prevailing at the time of shipment. A deposit may be requested if the opening of your account has not been completed or if your account has become inactive.

Terms of Payment

Net 30 days F.O.B. Sherbrooke, Quebec. The invoice will be assigned the shipping date and is payable 30 days from that date. Logiflex remains the owner of the merchandise until the invoice is paid in full.

Customized Products (Special Items)

Price requests for customized products or special items can be submitted via the "Member Zone" section of our website, at www.logiflex.ca. Our quotations department will study your request and send you a quotation and a technical drawing for approval as soon as possible. Modifications to quotations or technical drawings can be requested the same way. The approved quotation(s) and technical drawing(s) can then be attached to your purchase order.

Orders

An official purchase order must be issued for all purchases. Your purchase order must contain the following information:

- Your company letterhead
- Your reference number
- The delivery address (with contact name, email and phone number)
- The complete product codes
- Furniture colour(s)
- Quantities
- Descriptions
- Retail prices and net prices
- Project registration number (if applicable), and your approved quotation and technical drawing (for special items).

Please note that a quotation cannot serve as a purchase order.

Returns

All returns must first be approved by Logiflex. If the return is accepted, a Logiflex customer service representative will send you an official return authorization form in order to facilitate procedures between you, the carrier, and the Logiflex merchandise reception clerk. Additional costs for shipping or other expenses may be applied following any merchandise return.

Modifications and/or Cancellations

You have 48 hours from the time we acknowledge receipt of your order to make any requests for corrections or modifications. You may cancel your order during this same 48-hour period. If you would like to modify or cancel your order after this 48-hour verification period, please check with a Logiflex customer service representative. Orders cannot be changed or cancelled if production has already begun or if Logiflex has already received the raw materials.

Liability

Logiflex's liability ends once the carrier has delivered all items in good condition. A delivery receipt signed by the customer acknowledges that the shipment is complete and has been received in good condition.

Claims

Logiflex recommends inspecting the shipment before signing the carrier's delivery receipt. You must notify Logiflex of any incomplete shipments or damaged furniture within 30 days after delivery. Requests to replace damaged products can be made via the "Member Zone" section of our website, at www.logiflex.ca. Our after-sales service department will examine your request and help you correct the situation.

Changes

Logiflex reserves the right to make changes to the materials, accessories, components, specifications and designs, and to discontinue collections and/or models, at any time and without prior notice.

Storage and/or Shipping Fees

According to the terms Logiflex set forth in the transport policy. The transport policy can be consulted online in the Private Space.

Items Delivered Disassembled

Some items are delivered disassembled, such as empty desks, empty returns, bridges, arched tables, D, P or Q tables, lateral tables, end tables, hook tables, corner tables and extended-corner tables.

Warranty

Logiflex guarantees to the original purchaser that Logiflex products are free from defects in design, materials and workmanship for the product's lifetime, with certain exceptions.

You may consult the full warranty on the website: [Logiflex Warranty](#)

Introduction

How to Use the Price List

Interactive Menu → Classic | Modern | Tables | Seating | Accessoires

Product group → Classic Series

Product name → Bedside Cabinet

Product code → LFC TC1

Product image → [Isometric drawings of LFC TC1, LFC TC2L, and LFC TC2R with dimensions A, B, C and hinge locations L/R]

Navigation buttons (when blue): Previous View, Previous Page, Next Page, Product Map, Table of Contents

Manufacturing Standards

TC1:

- 1 drawer with H161 handle;
- 1 open section with 1 adjustable shelf;
- 1 air vent.

TC2:

- 1 drawer with H161 handle;
- 1 door cabinet with H161 handle and 1 adjustable shelf;
- 1 air vent.

Handles: For handles other than H161 standard, please choose from the Loglife list at no extra charge.

Options

Locking Casters (set of 4) → WF \$S

Plastic Drawer Liner → BP \$S

Prices

TC1

| Dimensions | A | B | C | LFC |
|------------|-----|-----|-----|-----|
| 201832 | *** | *** | *** | |
| 241832 | *** | *** | *** | |

TC2

| Dimensions | A | B | C | LFC |
|------------|-----|-----|-----|-----|
| 201832 | *** | *** | *** | |
| 241832 | *** | *** | *** | |

How to Order

| LFC | ABC | TC1 TC2L TC2R | WF | H161 (std) | BP | |
|----------------|------------|---------------------|---------|---------------------------------|--------------|----|
| series | dimensions | code | casters | handles (p. 15) | drawer liner | |
| Example | LFC | 201832 | TC1 | WF | H161 | BP |

Standard Product Code
Details as per the price listed

Options, if desired (\$)
Always after the product code

Illustrated options → [Images of Locking Casters and Plastic Drawer Liner]

Navigation Buttons (when blue) → WF \$S, BP \$S

Ordering instructions → [How to Order section]

Dimensions → [Price list table]

Prices → [Price list table]

Blue text hyperlink → [handles \(p. 15\)](#)

Introduction

Appendix A: Colors and Finishes

12 Wood Stains

Logiflex offers varnish and stain selection among the following 12 colors on all wood applications.

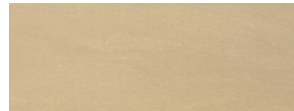
Knots and color variation can occur between different wood components of the same piece of furniture, or between different pieces of furniture. This variation is due to the natural characteristics of the wood, and is more contrasting for pale wood colors like Golden Wheat.



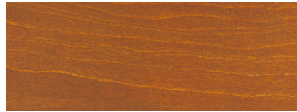
WW White Wash



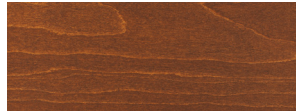
GW Golden Wheat



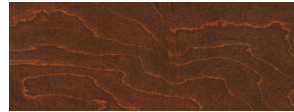
SD Sand



AT Apricot



PN Pecan



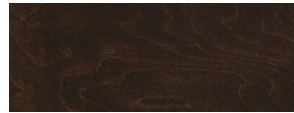
BR Brandy



CT Chestnut



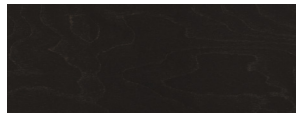
CF Coffee



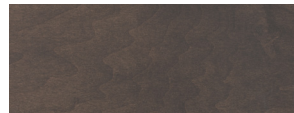
ES Espresso



BO Bordeaux

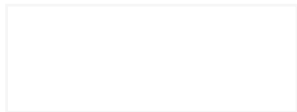


BW Black Wash



BK Bark

Laminate Colors for Bedroom Furniture



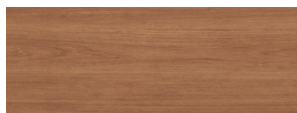
W Polar White



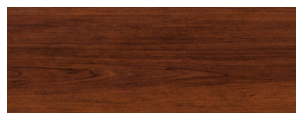
EC Classic Maple



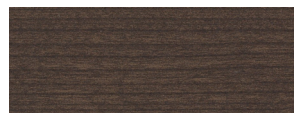
DR Driftwood



TO Tobacco



BC Brown Cherry



CC Classic Chocolate

Laminate Colors for Tables

| FINI FINISH | CODE | COLOR COULEUR | SURFACES | PANVAL CODE |
|-------------|--------|---------------------------------------|----------|---------------|
| | | | 1" | |
| OMNIA | DOO | Dosha | • | K77 |
| | COO | Cosmos | • | K78 |
| AURA | GIA | Ginger Root <i>Gingembre</i> | • | H72 |
| | HAA | Haze <i>Brume</i> | • | H57 |
| | OHA | Ohm | • | K69 |
| | STA | Storm <i>Tempête</i> | • | H58 |
| | TUA | Tundra | • | H75 |
| LYRA | ASY | Asha | • | K47 |
| | CIY | Chiffon <i>Mousseline</i> | • | K60 |
| | KAY | Kali | • | K46 |
| SUPERMAT | IGS | Ingot grey <i>Gris lingot</i> | • | 828 |
| | WGS | Willow grey <i>Gris saule</i> | • | 802 |
| DOLOMITE | AU | Audacity <i>Audace</i> | • | 241 |
| | B | Jet Black <i>Noir intense</i> * | • | 888 S405-CA |
| | BC | Brown cherry <i>Cerisier brun</i> | • | 207 |
| | C | Slate <i>Ardoise</i> * | • | 801 |
| | DR | Driftwood <i>Bois de rive</i> | • | 744 |
| | G | Mink Grey <i>Gris vison</i> | • | 805 OU-927 |
| | NM | Natural Maple <i>Érable naturel</i> | • | 206 |
| | PO | Porto | • | 913 OU-648 |
| | SW | Smoked Walnut <i>Noyer fumé</i> | • | G21 |
| | TO | Tobacco | • | 205 |
| | W | Polar White <i>Blanc polaire</i> | • | 555 459-CA |
| WK | Whisky | • | 245 | |

* Non recommended color for work surfaces. N New
Colors may vary from 2% to 5% between tfl and hpl laminates due to different technical applications.

See our complete [Colors & Finishes Guide](#)

Introduction

Appendix B: COM Fabric

Upholstery Specification

Logiflex offers two options for upholstery specification:

| | |
|------------|---|
| Option 1 : | Customers may specify an upholstery from any supplier. Logiflex will then confirm upholstery grade and seat cost. |
| Option 2 : | Customers may select and purchase upholstery of their choice and ship upholstery to Logiflex (COM) |

Option 1 : Specified Upholstery

Customers may consult the websites of our principal suppliers to visualize their complete product range. It is then possible to consult the graded-in list available on Logiflex.ca to be informed of the appropriate Logiflex grade.

Website of the upholstery supplier gives essential information to the maintenance, availability, quality and performance of the selected upholstery. In all cases, the upholstery supplier's warranty will apply.

Information to provide with the order:

Customer name
Purchase order number
Upholstery supplier name
Pattern name/number
Color name/number
Number of yards to order

Principal suppliers:

| | |
|-------------------|------------------|
| Momentum Textiles | themomgroup.com |
| Ennis Fabrics | ennisfabrics.com |
| Maharam | maharam.com |
| Designtex | designtex |
| Mayer Fabrics | mayerfabrics.com |

See our Graded-In Program at:
logiflex.ca/medias/documents/logiflex-graded-in.pdf

Option 2 : Customer's Own Material (COM)

Logiflex offers the option of providing your own upholstery. The price will be based on the cushion grade 2.

Orders with a COM fabric must be written clearly and indicate the color, pattern, width of the fabric and the manufacturer or distributor. The customer is responsible for providing a 12" x 12" sample to Logiflex for approval of the upholstery and the COM Fabric Sample - Approval Form. Furthermore, Logiflex reserves the right to refuse any upholstery that does not meet Logiflex selection criteria.

COM fabrics must be delivered to the Logiflex factory with freight and duties paid. For COM orders, the order's delivery date is set once Logiflex has received all fabric rolls required for production, following sample approval. All charges to COM acquisition on the customer's behalf will be passed onto the customer.

Logiflex does not assume responsibility for upholstery availability, quality, performance or appearance. In addition, the Logiflex warranty excludes customer's own materials.

COM upholstery delivery:

The following information must be included with the COM upholstery delivery and be communicated to the account manager along with the purchase order:

Customer name
Purchase order number
Upholstery supplier name
Pattern name/number
Color name/number
Number of yards delivered

[COM Fabric Sample - Approval Form](#)

Shipping address:

Logiflex
Attn: Receiver
1235 St-Roch North Road
Sherbrooke Quebec
Canada J1N 0H2

Note: A late reception of fabric may cause delivery delays.

Introduction

Appendix B: COM Fabric (continued)

Fabric Quantities

The quantities of fabric yardage to order for each piece of furniture is indicated in the "Manufacturing Standard" section on the product page indicating the amount of yards required.

Where this option is available, you will see the following table in the "Manufacturing Standard" section on the product page indicating the amount of yards required:

Example:

COM Fabric:
Fabric combination possible. Number of yards required:

| Code | Total | Bench | Back | Panel |
|------|-------|-------|------|-------|
| BDFP | 7 | 2.5 | 2 | 2.5 |
| BMFP | 7.5 | 2.5 | 2.5 | 2.5 |
| BHFP | 8.5 | 2.5 | 3.5 | 2.5 |

Note: It is recommend that you include a layout with all orders.

Graded-In List

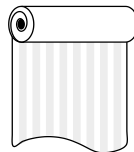
Seat cost depends of selected upholstery. Grade is not established according to upholstery quality or performance, but to its purchase cost. In order to help customers researches, a graded-in list presenting the entire collections od Logiflex's principal suppliers has been prepared. It is possible to consult Logiflex graded-in list by visiting logiflex.ca

Note: The graded-in list is based on information at time of the publication of this document. As upholstery suppliers can discontinue products or increase their prices at their discretion, this list communicated for information purposes only and can not be considered as a sale commitment by Logiflex.

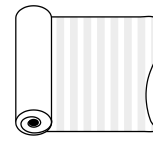
Application of Upholstery

Application of upholstery will follow the directional orientation of its pattern. Explicit instructions must be given to the customer's account manager if a specific direction is desired. Logiflex will not be responsible of problems related to upholstery direction or positioning unless formal instructions has been given along with the purchase order.

Instruction references:



Up the Roll



Railroaded
(across the roll)

Leather

All leathers used are "cowhide".

Please note that the warranty does not apply on leather's natural imperfections, such as: scars, marks, and difference in stain within a leather skin or different skins. This specification also applies for standard leather GR5 and Italian leather GR7 and up.

Polyurethane foam

The polyurethane foam used in the manufacturing of our armchairs is antibacterial.

Different densities exist and will vary from one armchair model to the other. Medium-density foam is used for back and seating parts, while the firmer-density foam is used for armrest parts.

Flammability standards

The foam used meets or exceeds the flammability standards of the California Technical Bulletin 117 norms.

Appendix C: Customized Products

The models presented here are suggestions: they can all be modified according to your needs.

In addition to designing and manufacturing entirely customized furniture, Logiflex offers the option of simply modifying the dimensions of the models presented. A sketch of the desired unit and all pertinent details must be submitted to our quotations department, which will study your request and send you a quotation and a drawing for approval as soon as possible.

Custom Manufacturing

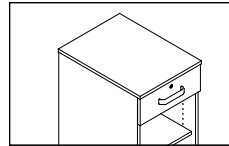
The following custom manufacturing suggestions are available through quotation:

High-Pressure Laminate Tops

Unit tops can be finished with high-pressure laminate, a material recognized for its resilient properties. This option must be specified when ordering. The laminate sheet is glued to the surface and then heat-sealed with a 1.5 mm PVC edge.

Unless otherwise specified in the order, the laminate finish will be coordinated to match the unit's thermally fused laminate color.

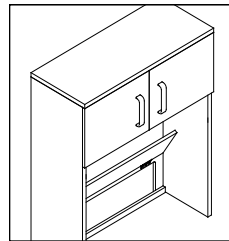
Locks



Satin nickel locks can be installed on all Logilife units. This option must be specified in the order. They are randomly keyed, and two keys are provided per lock. To specify keyed alike locks, a list of the units that have identical keys must be provided with the order.

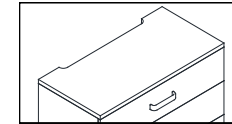
Some lock numbers may be repeated in orders of 50 units or more.

Hinged Back on Hutches



To provide easy access to wiring, the backs of hutches can be cut out and concealed by a hinged panel. This option must be specified when ordering.

Cutout Dresser Top



Dressers intended to accommodate televisions can have a cutout top to provide easy access to wiring. This option must be specified when ordering.

180° or 270° Hinges

Wardrobe doors can be installed on hinges that open 180° or up to 270°, to be specified when ordering.

Master Key

A master key can be provided for units that have locks. This option must be specified when ordering.



Classic Series

Patient Room Furniture

Manufacturing Standards: Classic Series

Product Dimensions

For display purposes, the furniture dimensions represented in the price tables on each product page are rounded to the nearest whole number.

Customized Products

The models presented here are suggestions: they can all be modified according to your needs. In addition to designing and manufacturing entirely customized furniture, Logiflex offers the option of simply modifying the dimensions of the models presented.

Please see page [Appendix B](#) for more information and suggestions about custom manufacturing.

Construction

Frames are made of 3/4" thermally fused laminate. Non-exposed edges are covered with a 0.5 mm PVC strip, while exposed edges are covered with a 1.5 mm strip. This type of thicker and heat-sealed edge increases the unit's durability while preventing infiltration of bacteria and moisture.

All bedside cabinets, dressers and wardrobe cabinets have air vents to ensure air circulation.

Tops

Tops of the Classic series are featureless, in 3/4" thermally fused laminate with 1.5 mm heat-sealed PVC edges.

Drawers and Cabinets

Robust and easy to clean, the drawers are made of black 7/16" particleboard back, bottom and sides. The full extension slides are black and have a capacity of 100lbs.

Drawer and cabinet fronts in the Classic Series are made of 3/4" thermally fused laminate with 1.5 mm heat-sealed PVC edges.

Base

The sides of furniture items in the Classic Series go right to the ground and are equipped with height adjustable, non-marking glides. The front features a full kick plate in 3/4" thermally fused laminate with 1.5 mm heat-sealed PVC edges.

Dressers

Unless otherwise specified when ordering, the dresser back is recessed 2 1/4" so that the unit can be placed against a wall with electrical outlets.

Wardrobes and Cabinets

Adjustable shelves in wardrobes and cabinets are fixed to shelf supports in order to prevent tipping. For greater safety, wardrobes are equipped with a safety garment rail that will support a maximum weight of 75 pounds.

Handles

The standard handle for the Classic Series is the H161, satin nickel finish. However, any Logilife handle may be chosen instead of this standard; simply specify the choice when placing the order.

Handles have been selected for their ergonomic characteristics.

Finishes

5 wood grain finishes and 1 solid color are offered in the Classic Series:

- **BC** - Brown Cherry
- **CC** - Classic chocolate
- **DR** - Driftwood
- **EC** - Classic Maple
- **TO** - Tobacco
- **W** - Polar White

Unless otherwise specified when ordering, all finishes are coordinated to ensure matching thermally fused laminates and PVC edges.

Fronts and doors can be of different colors to make it easier for visually impaired individuals to identify the units.

Edges can be of different colors to make it easier for visually impaired individuals to identify the units.

Wood Grain

Wood grain is always vertical on cabinet doors, and horizontal on drawer fronts and the kick plate.

Safety

For greater safety, Logiflex recommends using anchoring systems like its anti-tipping kits to prevent units from tipping forward. Wall anchoring is recommended for wardrobes and is required for dressers and hutches.

Options

Plastic Drawer Liner: The white plastic drawer liner is designed specifically for easy cleaning of the top drawer of bedside cabinets: it is removable, stands up to cleaning products, and has rounded corners. Its moulded handle makes it easy to take out and put back into the drawer.

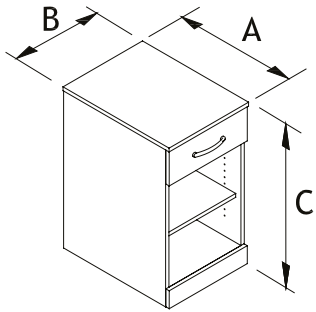
Anti-Tipping Kit: The anti-tipping kit, made from steel and galvanized steel cable, prevents units from tipping forward. For increased safety, it is recommended that dressers and wardrobes be anchored to the wall. Two kits are required for hutches.

Additional Adjustable Shelves: An additional adjustable shelf, with shelf supports included, may be ordered for hutches and wardrobes.

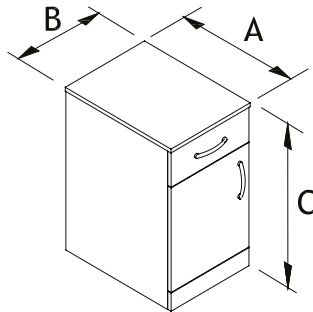
Classic Series

Bedside Cabinet

LFC TC1

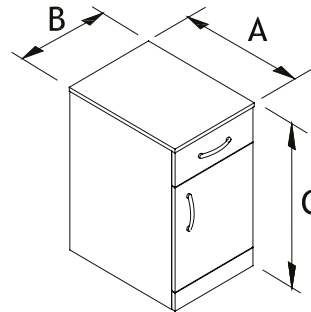


LFC TC2L



Hinges on left side: **L**

LFC TC2R



Hinges on right side: **R**

Manufacturing Standards

TC1:

- 1 drawer with H161 handle;
- 1 open section with 1 adjustable shelf;
- 1 air vent.

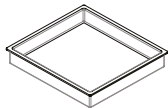
TC2:

- 1 drawer with H161 handle;
- 1 door cabinet with H161 handle and 1 adjustable shelf;
- 1 air vent.

Handles: For handles other than H161 standard, please choose from the Logilife list at no extra charge.

Options

Plastic Drawer Liner



\$114

Prices

TC1

| Dimensions | | LFC |
|------------|---|-----|
| A | B | C |
| 201832 | | 771 |
| 241832 | | 799 |

TC2

| Dimensions | | LFC |
|------------|---|-----|
| A | B | C |
| 201832 | | 882 |
| 241832 | | 907 |

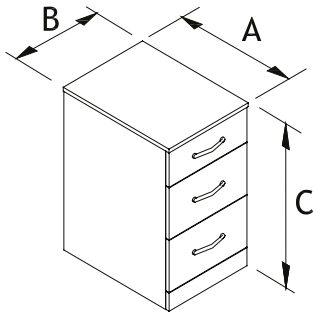
How to Order

| LFC | ABC | TC1 TC2L TC2R | H161 (std) | BP | |
|----------------|------------|---------------------|-------------------|-----------------|----|
| series | dimensions | code | handles p. 100 | drawer liner | |
| Example | LFC | 201832 | TC1 | H161 | BP |

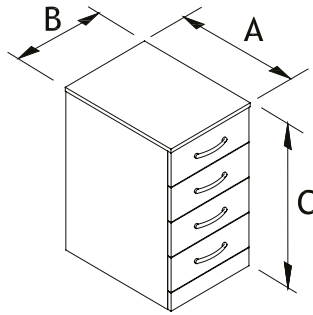
Classic Series

Bedside Cabinet

LFC TC3



LFC TC4



Manufacturing Standards

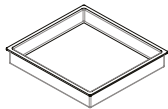
- 3 or 4 drawers with H161 handles;
- 1 air vent.

Note: The height of the top drawer on TC3 is different from the bottom drawers.

Handles: For handles other than H161 standard, please choose from the Logilife list at no extra charge.

Options

Plastic Drawer Liner



\$114

Prices

TC3

| Dimensions | | | LFC |
|------------|---|---|------|
| A | B | C | |
| 201832 | | | 1077 |
| 241832 | | | 1111 |

TC4

| Dimensions | | | LFC |
|------------|---|---|------|
| A | B | C | |
| 201832 | | | 1239 |
| 241832 | | | 1271 |

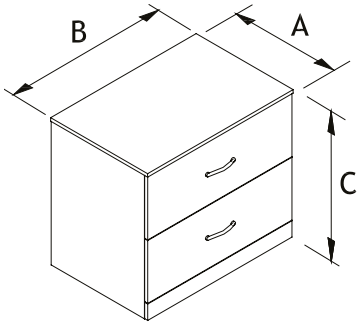
How to Order

| LFC | ABC | TC3 TC4 | H161 (std) | BP |
|--------------------|------------|------------|--------------------------------|--------------|
| series | dimensions | code | handles p. 100 | drawer liner |
| Example LFC | 201832 | TC3 | H161 | BP |

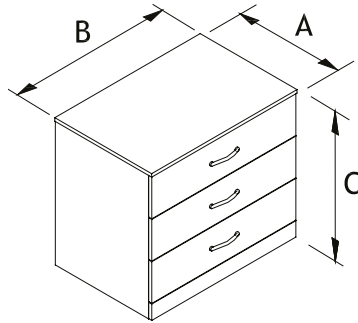
Classic Series

Dressers

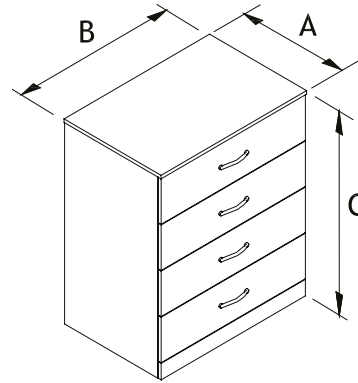
LFC COM2



LFC COM3



LFC COM4



Manufacturing Standards

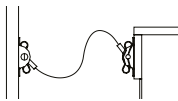
- 2, 3 or 4 drawers with H161 handles;
- 1 air vent;
- 2" recessed back.

Note: See p. 12 for series materials, finishes and manufacturing standard.

Handles: For handles other than H161 standard, please choose from the Logilife list at no extra charge.

Options

Anti-Tipping Kit



\$61

Prices

COM2 - 2 drawers

| Dimensions | |
|------------|------|
| A B C | LFC |
| 203032 | 1006 |
| 203632 | 1048 |
| 243032 | 1035 |
| 243632 | 1082 |

COM3 - 3 drawers

| Dimensions | |
|------------|------|
| A B C | LFC |
| 203032 | 1166 |
| 203632 | 1215 |
| 243032 | 1207 |
| 243632 | 1258 |

COM4 - 4 drawers

| Dimensions | |
|------------|------|
| A B C | LFC |
| 203044 | 1408 |
| 203644 | 1468 |
| 243044 | 1456 |
| 243644 | 1518 |

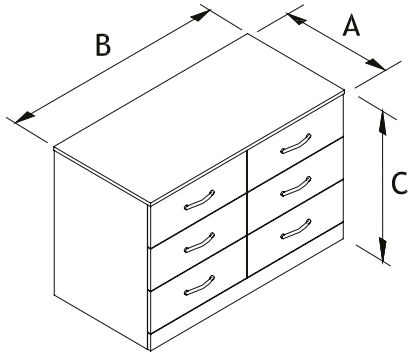
How to Order

| LFC | ABC | COM2 COM3 COM4 | H161 (std) | DECR |
|--------------------|------------|----------------------|-------------------|---------------------|
| series | dimensions | code | handles p. 100 | anti-tipping kit |
| Example LFC | 203032 | COM2 | H161 | DECR |

Classic Series

Dressers

LFC COM6



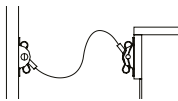
Manufacturing Standards

- 6 drawers with H161 handles;
- 2 air vents;
- 2-1/4" recessed back.

Handles: For handles other than H161 standard, please choose from the Logilife list at no extra charge.

Options

Anti-Tipping Kit



\$61

Prices

COM6 - 6 drawers

| Dimensions | | | LFC |
|------------|---|---|------|
| A | B | C | |
| 204832 | | | 1852 |
| 244832 | | | 1904 |

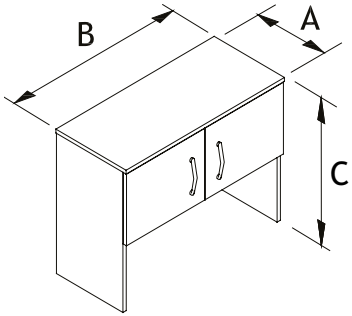
How to Order

| | ABC | | H161 (std) | DECR | |
|----------------|------------|--------|-------------------|---------------------|------|
| LFC | | COM6 | | | |
| series | dimensions | code | handles p. 100 | anti-tipping kit | |
| Example | LFC | 204832 | COM6 | H161 | DECR |

Classic Series

Hutches

LFC HL28



Manufacturing Standards

- 2 door hutch with H161 handles;
- 1 black flexible grommet at the bottom of the back.

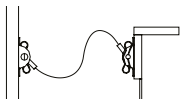
Cabinet inside space: 13" H.

Handles: For handles other than H161 standard, please choose from the Logilife list at no extra charge.

Anti-tipping kit: 2 kits are required for hutches.

Options

Anti-Tipping Kit



\$61

Prices

| Dimensions | | | |
|------------|----|-----|-----|
| A | B | C | LFC |
| 1630 | 28 | 756 | 756 |
| 1636 | 28 | 784 | 784 |

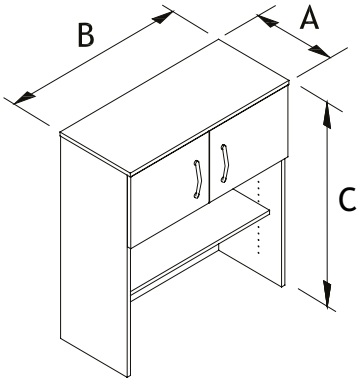
How to Order

| LFC | AB | HL | C | H161 (std) | DECR |
|--------------------|------------|------|--------|-------------------|---------------------|
| series | dimensions | code | height | handles p. 100 | anti-tipping kit |
| Example LFC | 1630 | HL | 28 | H161 | DECR |

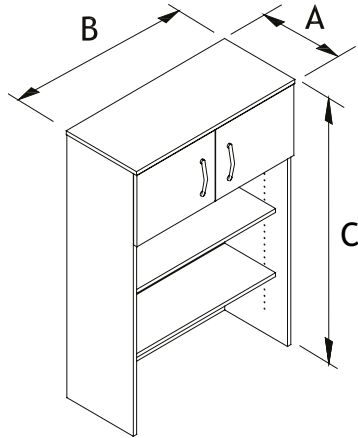
Classic Series

Hutches

LFC HLA40



LFC HLA52



Manufacturing Standards

- 2 door hutch with H161 handles;
- 1 or 2 adjustable shelves;
- 1 black flexible grommet at the bottom of the back.

Cabinet inside space: 13" H.

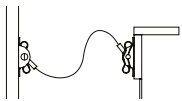
Handles: For handles other than H161 standard, please choose from the Logilife list at no extra charge.

Anti-tipping kit: 2 kits are required for hutches.

Adjustable shelves (SH): 30" L = \$41, 36" L = \$47 per additional shelf, supports included.

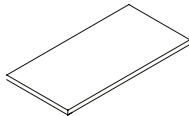
Options

Anti-Tipping Kit



\$61

Additional Shelves



SH

Prices

HLA40 - 1 adjustable shelf

| Dimensions | | | LFC |
|------------|---|---|-----|
| A | B | C | |
| 163040 | | | 855 |
| 163640 | | | 885 |

HLA52 - 2 adjustable shelves

| Dimensions | | | LFC |
|------------|---|---|-----|
| A | B | C | |
| 163052 | | | 948 |
| 163652 | | | 985 |

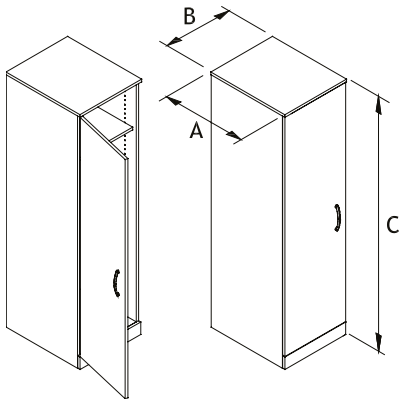
How to Order

| LFC | AB | HLA | C | H161 (std) | DECR | SH |
|--------------------|------------|------|--------|-------------------|---------------------|---------|
| series | dimensions | code | height | handles p. 100 | anti-tipping kit | shelves |
| Example LFC | 1630 | HLA | 40 | H161 | DECR | |

Classic Series

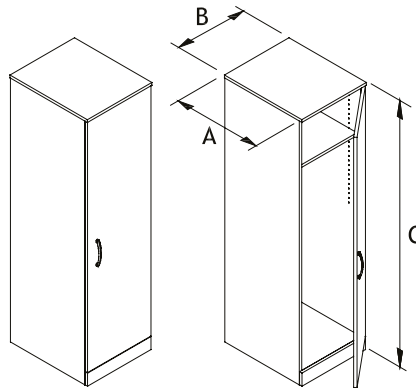
Wardrobes

LFC PEN1L



Hinges on left side: **L**

LFC PEN1R



Hinges on right side: **R**

Manufacturing Standards

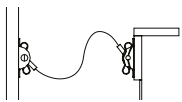
- 1 door wardrobe with H161 handle;
- 1 safety garment rail under adjustable shelf;
- 1 air vent.

Handles: For handles other than H161 standard, please choose from the Logilife list at no extra charge.

Adjustable shelves (SH): 20" L = \$42 per additional shelf, supports included.

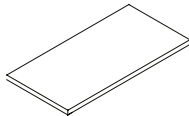
Options

Anti-Tipping Kit



\$61

Additional Shelves



SH

Prices

Dimensions

| A | B | C | LFC |
|--------|---|---|------|
| 242072 | | | 1202 |

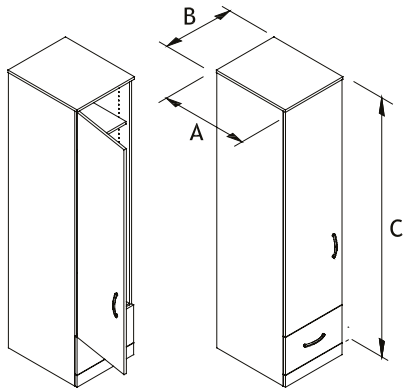
How to Order

| LFC | ABC | PEN1 | L R | H161 (std) | DECR | SH |
|----------------|------------|---------------|-------------|-------------------|---------------------|-------------|
| series | dimensions | code | side | handles p. 100 | anti-tipping kit | shelves |
| Example | LFC | 242072 | PEN1 | L | H161 | DECR |

Classic Series

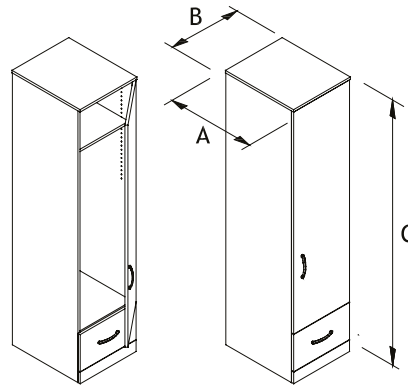
Wardrobes

LFC PEN2L



L

LFC PEN2R



R

Manufacturing Standards

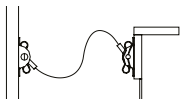
- 1 door wardrobe with H161 handle;
- 1 drawer with H161 handle;
- 1 safety garment rail under adjustable shelf;
- 1 air vent.

Handles: For handles other than H161 standard, please choose from the Logilife list at no extra charge.

Adjustable shelves (SH): 20" L = \$42 per additional shelf, supports included.

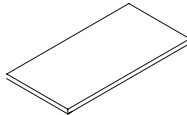
Options

Anti-Tipping Kit



\$61

Additional Shelves



SH

Prices

| Dimensions | | | LFC |
|------------|-----|---|------|
| A | B | C | |
| 242 | 084 | | 1539 |

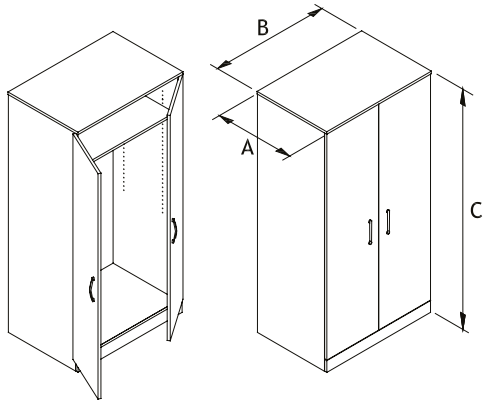
How to Order

| LFC | ABC | PEN2 | L R | H161 (std) | DECR | SH |
|----------------|------------|---------------|-------------|-------------------|---------------------|-------------|
| series | dimensions | code | side | handles p. 100 | anti-tipping kit | shelves |
| Example | LFC | 242084 | PEN2 | L | H161 | DECR |

Classic Series

Wardrobes

LFC PEN3



Manufacturing Standards

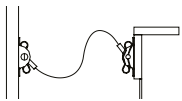
- 2 door wardrobe with H161 handles;
- 1 safety garment rail under adjustable shelf;
- 2 air vents.

Handles: For handles other than H161 standard, please choose from the Logilife list at no extra charge.

Adjustable shelves (SH): for units of 30" L = \$62, 36" L = \$ 77 , 42" W = \$ 89 per additional shelf, supports included.

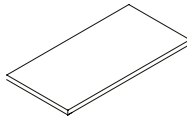
Options

Anti-Tipping Kit



\$61

Additional Shelves



SH

Prices

| Dimensions | | | LFC |
|------------|---|---|------|
| A | B | C | |
| 243072 | | | 1455 |
| 243672 | | | 1531 |

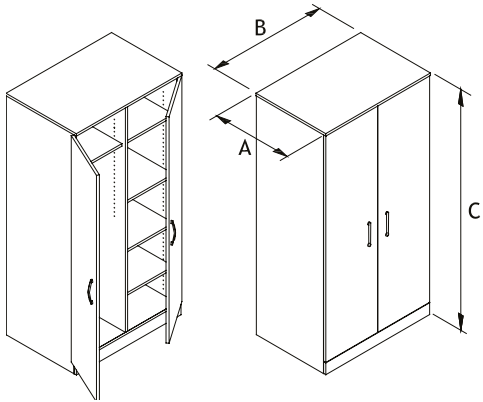
How to Order

| LFC | ABC | PEN3 | H161 (std) | DECR | SH |
|--------------------|------------|-------------|-------------------|---------------------|---------|
| series | dimensions | code | handles p. 100 | anti-tipping kit | shelves |
| Example LFC | 243072 | PEN3 | H161 | DECR | |

Classic Series

Wardrobes

LFC PEN4



Manufacturing Standards

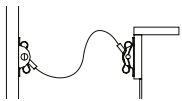
- 2 door wardrobe with H161 handles;
- 1 safety garment rail under adjustable shelf on left;
- 1 central division;
- 4 adjustable shelves on right;
- 2 air vents.

Handles: For handles other than H161 standard, please choose from the Logilife list at no extra charge.

Adjustable shelves (SH): for units of 30" L = \$33, 36" L = \$43, 42" W = \$50 per additional shelf, supports included.

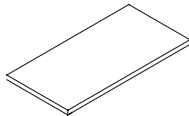
Options

Anti-Tipping Kit



\$61

Additional Shelves



SH

Prices

| Dimensions | | | LFC |
|------------|---|---|------|
| A | B | C | |
| 243072 | | | 1829 |
| 243672 | | | 1915 |

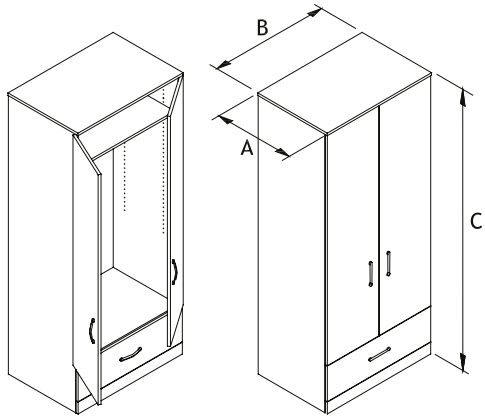
How to Order

| LFC | ABC | PEN4 | H161 (std) | DECR | SH |
|--------------------|------------|-------------|-------------------|---------------------|---------|
| series | dimensions | code | handles p. 100 | anti-tipping kit | shelves |
| Example LFC | 243072 | PEN4 | H161 | DECR | |

Classic Series

Wardrobes

LFC PEN5



Manufacturing Standards

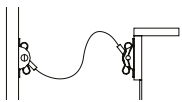
- 2 door wardrobe with H161 handles;
- 1 safety garment rail under adjustable shelf;
- 1 drawer with H161 handle;
- 2 air vents.

Handles: For handles other than H161 standard, please choose from the Logilife list at no extra charge.

Adjustable shelves (SH): for units of 30" L = \$62, 36" L = \$ 77 , 42" W = \$ 89 per additional shelf, supports included.

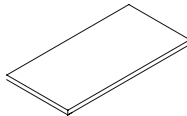
Options

Anti-Tipping Kit



\$61

Additional Shelves



SH

Prices

| Dimensions | | | LFC |
|------------|---|---|------|
| A | B | C | |
| 243084 | | | 1884 |

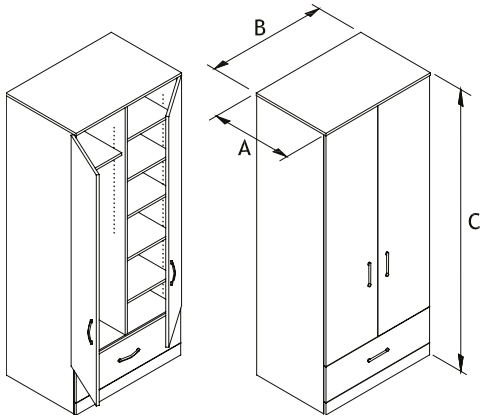
How to Order

| LFC | ABC | PEN5 | H161 (std) | DECR | SH |
|--------------------|------------|-------------|-------------------|---------------------|---------|
| series | dimensions | code | handles p. 100 | anti-tipping kit | shelves |
| Example LFC | 243084 | PEN5 | H161 | DECR | |

Classic Series

Wardrobes

LFC PEN6



Manufacturing Standards

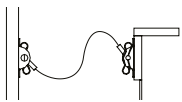
- 2 door wardrobe with H161 handles;
- 1 safety garment rail under adjustable shelf on left;
- 1 drawer with H161 handle;
- 1 central division;
- 5 adjustable shelves on right;
- 2 air vents.

Handles: For handles other than H161 standard, please choose from the Logilife list at no extra charge.

Adjustable shelves (SH): for units of 30" L = \$33, 36" L = \$43, 42" W = \$50 per additional shelf, supports included.

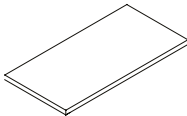
Options

Anti-Tipping Kit



\$61

Additional Shelves



SH

Prices

Dimensions

| A | B | C | LFC |
|--------|---|---|------|
| 243084 | | | 2284 |

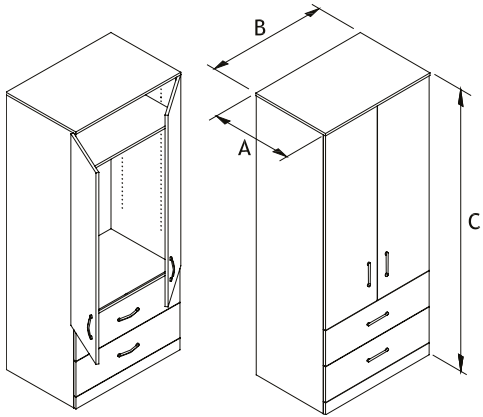
How to Order

| LFC | ABC | PEN6 | H161 (std) | DECR | SH |
|--------------------|------------|-------------|-------------------|---------------------|---------|
| series | dimensions | code | handles p. 100 | anti-tipping kit | shelves |
| Example LFC | 243084 | PEN6 | H161 | DECR | |

Classic Series

Wardrobes

LFC PEN7



Manufacturing Standards

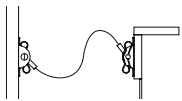
- 2 door wardrobe with H161 handles;
- 2 drawers with H161 handles;
- 1 safety garment rail under adjustable shelf;
- 2 air vents.

Handles: For handles other than H161 standard, please choose from the Logilife list at no extra charge.

Adjustable shelves (SH): for units of 30" L = \$62, 36" L = \$ 77 , 42" W = \$ 89 per additional shelf, supports included.

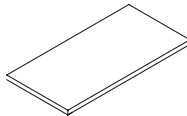
Options

Anti-Tipping Kit



\$61

Additional Shelves



SH

Prices

Dimensions

| A | B | C | LFC |
|--------|---|---|------|
| 243084 | | | 2082 |

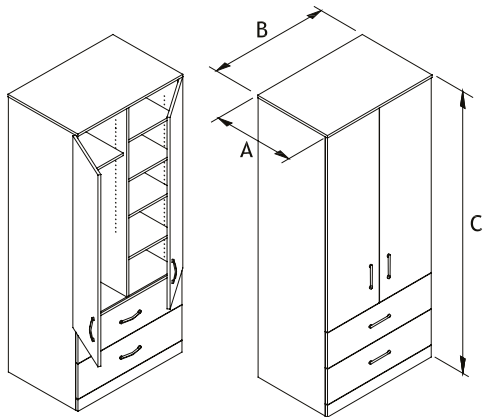
How to Order

| LFC | ABC | PEN7 | H161 (std) | DECR | SH |
|----------------|------------|--------|-------------------|---------------------|---------|
| series | dimensions | code | handles p. 100 | anti-tipping kit | shelves |
| Example | LFC | 243084 | PEN7 | H161 | DECR |

Classic Series

Wardrobes

LFC PEN8



Manufacturing Standards

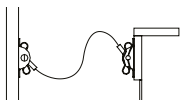
- 2 door wardrobe with H161 handles;
- 1 safety garment rail under adjustable shelf on left;
- 2 drawers with H161 handles;
- 1 central division;
- 4 adjustable shelves on right;
- 2 air vents.

Handles: For handles other than H161 standard, please choose from the Logilife list at no extra charge.

Adjustable shelves (SH): for units of 30" L = \$33, 36" L = \$43, 42" W = \$50 per additional shelf, supports included.

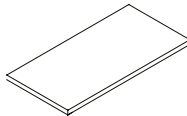
Options

Anti-Tipping Kit



\$61

Additional Shelves



SH

Prices

| Dimensions | | | LFC |
|------------|----|----|------|
| A | B | C | |
| 24 | 30 | 84 | 2423 |

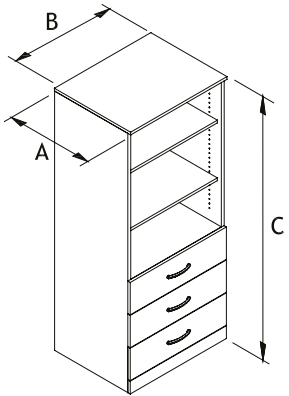
How to Order

| LFC | ABC | PEN8 | H161 (std) | DECR | SH |
|----------------|-------------------|-------------|-------------------|---------------------|---------|
| series | dimensions | code | handles p. 100 | anti-tipping kit | shelves |
| Example | LFC 243084 | PEN8 | H161 | DECR | |

Classic Series

Storage Towers

LFC RAN1



Manufacturing Standards

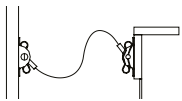
- 1 open space with 2 adjustable shelves;
- 3 drawers with H161 handles.

Handles: For handles other than H161 standard, please choose from the Logilife list at no extra charge.

Adjustable shelves (SH): for units of 30" L = \$62, 36" L = \$ 77 , 42" W = \$ 89 per additional shelf, supports included.

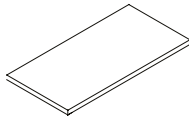
Options

Anti-Tipping Kit



\$61

Additional Shelves



SH

Prices

| Dimensions | | |
|------------|---|------|
| A | B | C |
| 243084 | | 1998 |

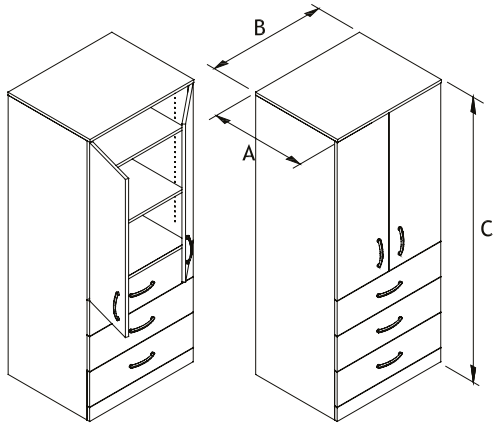
How to Order

| LFC | ABC | RAN1 | H161 (std) | DECR | SH |
|----------------|------------|--------|-------------------|---------------------|---------|
| series | dimensions | code | handles p. 100 | anti-tipping kit | shelves |
| Example | LFC | 243084 | RAN1 | H161 | DECR |

Classic Series

Storage Towers

LFC RAN2



Manufacturing Standards

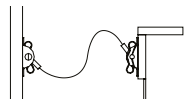
- 2 door cabinet with H161 handles;
- 2 adjustable shelves;
- 3 drawers with H161 handles;
- 1 air vent.

Handles: For handles other than H161 standard, please choose from the Logilife list at no extra charge.

Adjustable shelves (SH): for units of 30" L = \$62, 36" L = \$ 77 , 42" W = \$ 89 per additional shelf, supports included.

Options

Anti-Tipping Kit



\$61

Prices

| Dimensions | | |
|------------|---|------|
| A | B | C |
| 243084 | | 2279 |

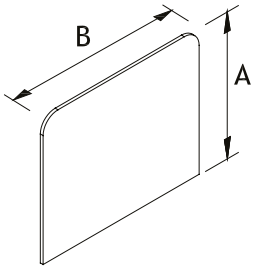
How to Order

| LFC | ABC | RAN2 | H161 (std) | DECR |
|----------------|------------|------|-------------------|---------------------|
| series | dimensions | code | handles p. 100 | anti-tipping kit |
| Example | LFC 243084 | RAN2 | H161 | DECR |

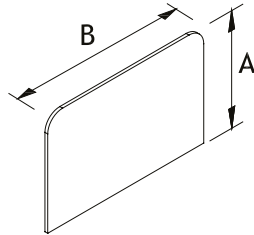
Classic Series

Rectangular Headboard and Footboard

LFC TLRT



LFC PLRT



Manufacturing Standards

- 3/4" laminate headboard and footboard.

Prices

TLRT - Rectangular headboard

Dimensions

| A | B | LFC |
|------|-----|-----|
| 3442 | 216 | |

PLRT - Rectangular footboard

Dimensions

| A | B | LFC |
|------|-----|-----|
| 2742 | 173 | |

How to Order

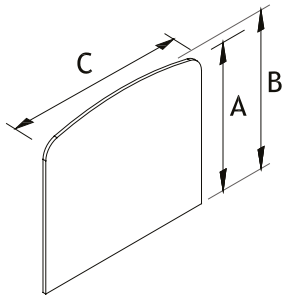
| | AB | TLRT PLRT |
|------------|------------|--------------|
| LFC | | |
| series | dimensions | code |

Example **LFC** 3442 TLRT

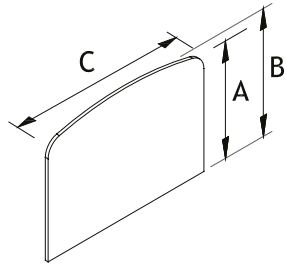
Classic Series

Curved Headboard and Footboard

LFC TLCX



LFC PLCX



Manufacturing Standards

- 3/4" laminate headboard and footboard.

Prices

TLCX - Curved headboard

| Dimensions | |
|------------|-----|
| A B C | LFC |
| 343742 | 234 |

PLCX - Curved footboard

| Dimensions | |
|------------|-----|
| A B C | LFC |
| 273042 | 190 |

How to Order

| LFC | ABC | TLCX PLCX |
|-------------|------------|--------------|
| series | dimensions | code |
| Example LFC | 343742 | TLCX |



Modern Series
Patient Room Furniture

Manufacturing Standards: Modern Series

Customized Products

The models presented here are suggestions: they can all be modified according to your needs. In addition to designing and manufacturing entirely customized furniture, Logiflex offers the option of simply modifying the dimensions of the models presented.

Please see page [Appendix B](#) for more information and suggestions about custom manufacturing.

Construction

Frames are made of 3/4" thermally fused laminate. Non-exposed edges are covered with a 0.5 mm PVC strip, while exposed edges are covered with a 1.5 mm strip. This type of thicker and heat-sealed edge increases the unit's durability while preventing infiltration of bacteria and moisture.

All bedside cabinets, dressers and wardrobe cabinets have air vents to ensure air circulation.

Tops

Tops of the Modern Series are featureless, in 3/4" thermally fused laminate with 1.5 mm heat-sealed PVC edges.

Drawers and Cabinets

Robust and easy to clean, the drawers are made of black 7/16" particleboard back, bottom and sides. The full extension slides are black and have a capacity of 100lbs.

Drawer and cabinet fronts in the Classic Series are made of 3/4" thermally fused laminate with 1.5 mm heat-sealed PVC edges.

Legs

For an easier room maintenance, Modern Series is offered with 6" H tubular metal legs, satin nickel finish, with height adjustable, non-marking glides.

6" H oval metal legs, with satin nickel finish, are available as an option. This must be specified in the order.

Dressers

Unless otherwise specified when ordering, the dresser back is recessed 2 1/4" so that the unit can be placed against a wall with electrical outlets.

Wardrobes and Cabinets

Adjustable shelves in wardrobes and cabinets are fixed to shelf supports in order to prevent tipping. For greater safety, wardrobes are equipped with a safety garment rail that will support a maximum weight of 75 pounds.

Handles

The standard handle for the Modern Series is the H162, satin nickel finish. However, any Logilife handle may be chosen instead of this standard; simply specify the choice when placing the order.

Handles have been selected for their ergonomic characteristics.

Finishes

5 wood grain finishes and 1 solid color are offered in the Modern Series:

- **BC** - Brown Cherry
- **CC** - Classic Chocolate
- **DR** - Driftwood
- **EC** - Classic Maple
- **TO** - Tobacco
- **W** - Polar White

Unless otherwise specified when ordering, all finishes are coordinated to ensure matching thermally fused laminates and PVC edges.

Fronts and doors can be of different colors to make it easier for visually impaired individuals to identify the units.

Edges can be of different colors to make it easier for visually impaired individuals to identify the units.

Wood Grain

Wood grain is always vertical on cabinet doors, and horizontal on drawer fronts and the kick plate.

Safety

For greater safety, Logiflex recommends using anchoring systems like its anti-tipping kits to prevent units from tipping forward. Wall anchoring is recommended for wardrobes and is required for dressers and hutches.

Options

Plastic Drawer Liner: The white plastic drawer liner is designed specifically for easy cleaning of the top drawer of bedside cabinets: it is removable, stands up to cleaning products, and has rounded corners. Its moulded handle makes it easy to take out and put back into the drawer.

Anti-Tipping Kit: The anti-tipping kit, made from steel and galvanized steel cable, prevents units from tipping forward. For increased safety, it is recommended that dressers and wardrobes be anchored to the wall. Two kits are required for hutches.

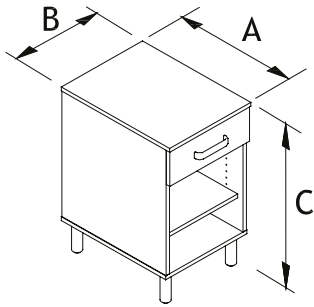
Additional Adjustable Shelves: An additional adjustable shelf, with shelf supports included, may be ordered for hutches and wardrobes.

Locking Casters: 4 locking, swivel polyurethane casters can be installed on bedside cabinets. Logiflex will then remove the kick plate and adjust the unit to the desired height.

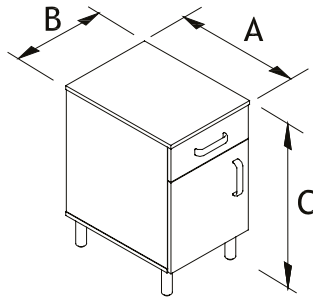
Modern Series

Bedside Cabinet

LFM TC1

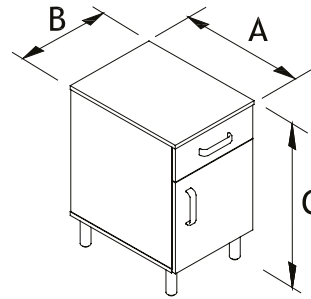


LFM TC2L



Hinges on left side: **L**

LFM TC2R



Hinges on right side: **R**

Manufacturing Standards

The legs are delivered not installed;

TC1:

- 1 drawer with H162 handle;
- 1 open section with 1 adjustable shelf;
- 6" tubular metal legs (TU6SN);
- 1 air vent.

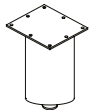
TC2:

- 1 drawer with H162 handle;
- 1 door cabinet with H162 handle and 1 adjustable shelf;
- 6" tubular metal legs (TU6SN);
- 1 air vent.

Handles: For handles other than H162 standard, please choose from the Logilife list at no extra charge.

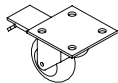
Options

Oval Legs (set of 4)



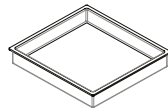
\$0

Locking Casters (set of 4)



\$69

Plastic Drawer Liner



\$114

Prices

TC1

| Dimensions | | | LFM |
|------------|---|---|-----|
| A | B | C | |
| 201832 | | | 859 |
| 241832 | | | 885 |

TC2

| Dimensions | | | LFM |
|------------|---|---|-----|
| A | B | C | |
| 201832 | | | 969 |
| 241832 | | | 996 |

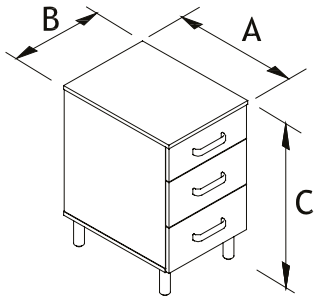
How to Order

| LFM | ABC | TC1 TC2L TC2R | WF OVAM6SN TU6SN (std) | H162 (std) | BP |
|--------------------|------------|---------------------|------------------------------|-------------------|--------------|
| series | dimensions | code | legs and casters | handles p. 100 | drawer liner |
| Example LFM | 201832 | TC1 | TU6SN | H162 | BP |

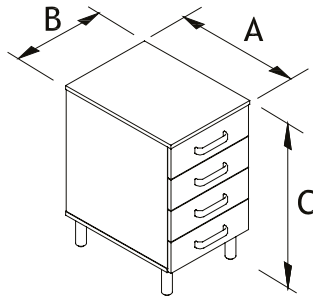
Modern Series

Bedside Cabinet

LFM TC3



LFM TC4



Manufacturing Standards

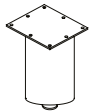
- The legs are delivered not installed;
- 3 or 4 drawers with H162 handles;
- 6" tubular metal legs (TU6SN);
- 1 air vent.

Note: The height of the top drawer on TC3 is different from the bottom drawers.

Handles: For handles other than H162 standard, please choose from the Logilife list at no extra charge.

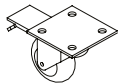
Options

Oval Legs (set of 4)



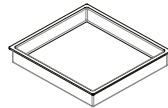
\$0

Locking Casters (set of 4)



\$69

Plastic Drawer Liner



\$114

Prices

TC3

| Dimensions | | | LFM |
|------------|---|---|------|
| A | B | C | |
| 201832 | | | 1165 |
| 241832 | | | 1199 |

TC4

| Dimensions | | | LFM |
|------------|---|---|------|
| A | B | C | |
| 201832 | | | 1321 |
| 241832 | | | 1360 |

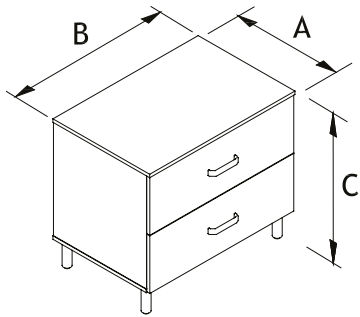
How to Order

| LFM | ABC | TC3 TC4 | WF OVAM6SN TU6SN (std) | H162 (std) | BP |
|--------------------|------------|------------|------------------------------|-------------------|--------------|
| series | dimensions | code | legs and casters | handles p. 100 | drawer liner |
| Example LFM | 201832 | TC3 | TU6SN | H162 | BP |

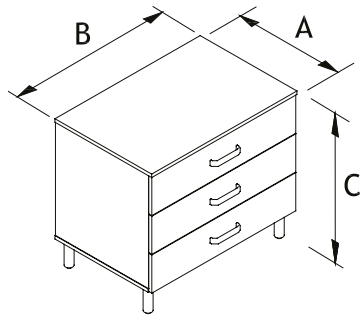
Modern Series

Dressers

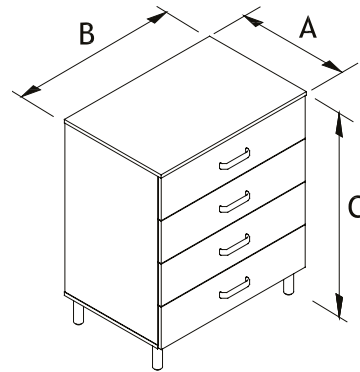
LFM COM2



LFM COM3



LFM COM4



Manufacturing Standards

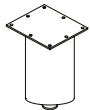
- The legs are delivered not installed;
- 2, 3 or 4 drawers with H162 handles;
- 6" tubular metal legs (TU6SN);
- 1 air vent;
- 2-1/4" recessed back.

Note: See p. 12 for series materials, finishes and manufacturing standard.

Handles: For handles other than H162 standard, please choose from the Logilife list at no extra charge.

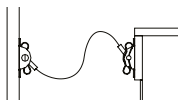
Options

Oval Legs (set of 4)



\$0

Anti-Tipping Kit



\$61

Prices

COM2 - 2 drawers

| Dimensions | | | LFM |
|------------|---|---|------|
| A | B | C | |
| 203032 | | | 1091 |
| 203632 | | | 1133 |
| 243032 | | | 1121 |
| 243632 | | | 1167 |

COM3 - 3 drawers

| Dimensions | | | LFM |
|------------|---|---|------|
| A | B | C | |
| 203032 | | | 1252 |
| 203632 | | | 1300 |
| 243032 | | | 1293 |
| 243632 | | | 1344 |

COM4 - 4 drawers

| Dimensions | | | LFM |
|------------|---|---|------|
| A | B | C | |
| 203044 | | | 1494 |
| 203644 | | | 1552 |
| 243044 | | | 1544 |
| 243644 | | | 1604 |

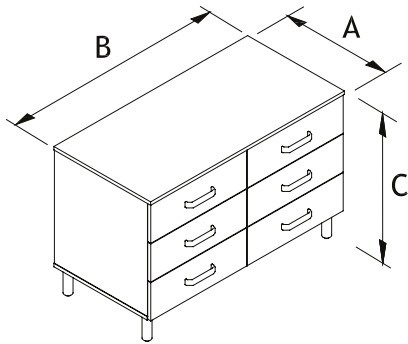
How to Order

| LFM | ABC | COM2 COM3 COM4 | OVAM6SN TU6SN (std) | H162 (std) | DECR | |
|----------------|------------|----------------------|------------------------|-------------------|------------------|-------------|
| series | dimensions | code | legs and casters | handles p. 100 | anti-tipping kit | |
| Example | LFM | 203032 | COM2 | TU6SN | H162 | DECR |

Modern Series

Dressers

LFM COM6



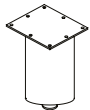
Manufacturing Standards

- The legs are delivered not installed;
- 6 drawers with H162 handles;
- 6" tubular metal legs (TU6SN);
- 2 air vents;
- 2-1/4" recessed back.

Handles: For handles other than H162 standard, please choose from the Logilife list at no extra charge.

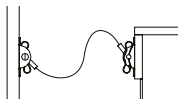
Options

Oval Legs (set of 4)



\$0

Anti-Tipping Kit



\$61

Prices

COM6 - 6 drawers

| Dimensions | | | LFM |
|------------|---|------|-----|
| A | B | C | |
| 204832 | | 1934 | |
| 244832 | | 1986 | |

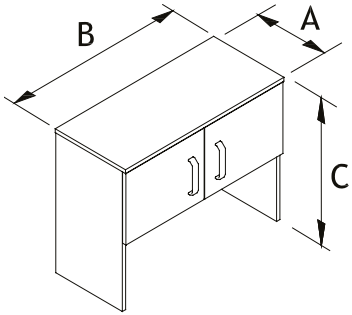
How to Order

| LFM | ABC | COM6 | OVAM6SN TU6SN (std) | H162 (std) | DECR |
|--------------------|------------|-------------|------------------------|-------------------|------------------|
| series | dimensions | code | legs and casters | handles p. 100 | anti-tipping kit |
| Example LFM | 204832 | COM6 | TU6SN | H162 | DECR |

Modern Series

Hutches

LFM HL28



Manufacturing Standards

- 2 door hutch with H162 handles;
- 1 black flexible grommet at the bottom of the back.

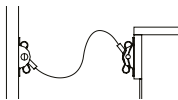
Cabinet inside space: 13" H.

Handles: For handles other than H162 standard, please choose from the Logilife list at no extra charge.

Anti-tipping kit: 2 kits are required for hutches.

Options

Anti-Tipping Kit



\$61

Prices

| Dimensions | | | |
|------------|----|-----|-----|
| A | B | C | LFM |
| 1630 | 28 | 756 | 756 |
| 1636 | 28 | 784 | 784 |

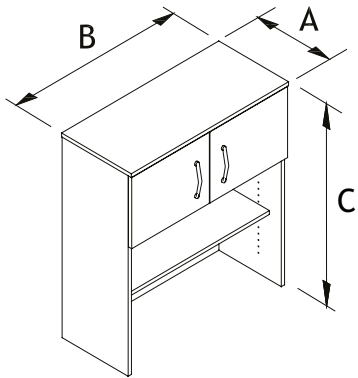
How to Order

| LFM | AB | HL | C | H162 (std) | DECR |
|--------------------|------------|-----------|--------|-------------------|---------------------|
| series | dimensions | code | height | handles p. 100 | anti-tipping kit |
| Example LFM | 1630 | HL | 28 | H162 | DECR |

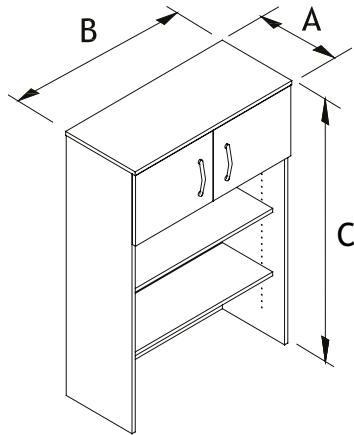
Modern Series

Hutches

LFM HLA40



LFM HLA52



Manufacturing Standards

- 2 door hutch with H162 handles;
- 1 or 2 adjustable shelves;
- 1 black flexible grommet at the bottom of the back.

Cabinet inside space: 13" H.

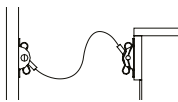
Handles: For handles other than H162 standard, please choose from the Logilife list at no extra charge.

Anti-tipping kit: 2 kits are required for hutches.

Adjustable shelves (SH): 30" L = \$41, 36" L = \$47 per additional shelf, supports included.

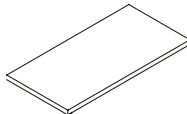
Options

Anti-Tipping Kit



\$61

Additional Shelves



SH

Prices

HLA40 - 1 adjustable shelf

| Dimensions | | | LFM |
|------------|---|---|-----|
| A | B | C | |
| 163040 | | | 855 |
| 163640 | | | 885 |

HLA52 - 2 adjustable shelves

| Dimensions | | | LFM |
|------------|---|---|-----|
| A | B | C | |
| 163052 | | | 948 |
| 163652 | | | 985 |

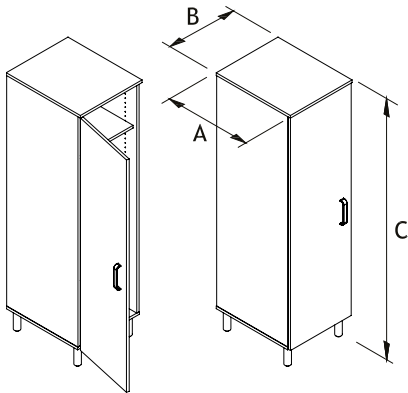
How to Order

| LFM | AB | HLA | C | H162 (std) | DECR | SH |
|--------------------|------------|------|--------|-------------------|---------------------|---------|
| series | dimensions | code | height | handles p. 100 | anti-tipping kit | shelves |
| Example LFM | 1630 | HLA | 40 | H162 | DECR | |

Modern Series

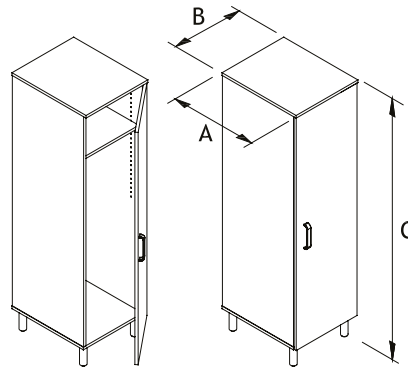
Wardrobes

LFM PEN1L



Hinges on left side: **L**

LFM PEN1R



Hinges on right side: **R**

Manufacturing Standards

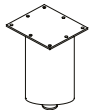
- The legs are delivered not installed;
- 1 door wardrobe with H162 handle;
- 1 safety garment rail under adjustable shelf;
- 6" tubular metal legs (TU6SN);
- 1 air vent.

Handles: For handles other than H162 standard, please choose from the Logilife list at no extra charge.

Adjustable shelves (SH): 20" L = \$42 per additional shelf, supports included.

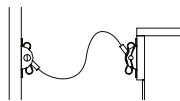
Options

Oval Legs (set of 4)



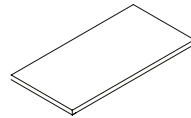
\$0

Anti-Tipping Kit



\$61

Additional Shelves



SH

Prices

Dimensions

| A | B | C | LFM |
|----|----|----|------|
| 24 | 20 | 72 | 1301 |

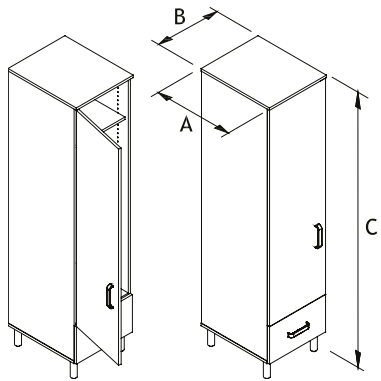
How to Order

| LFM | ABC | PEN1 | L R | OVAM6SN TU6SN (std) | H162 (std) | DECR | SH |
|--------------------|------------|-------------|--------|------------------------|-------------------|------------------|---------|
| series | dimensions | code | side | legs and casters | handles p. 100 | anti-tipping kit | shelves |
| Example LFM | 242072 | PEN1 | L | TU6SN | H162 | DECR | |

Modern Series

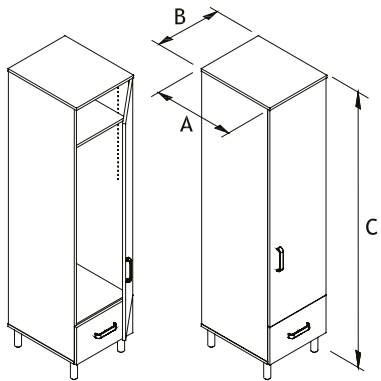
Wardrobes

LFM PEN2L



Hinges on left side: **L**

LFM PEN2R



R

Manufacturing Standards

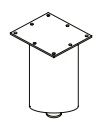
- The legs are delivered not installed;
- 1 door wardrobe with H162 handle;
- 1 drawer with H161 handle;
- 1 safety garment rail under adjustable shelf;
- 6" tubular metal legs (TU6SN);
- 1 air vent.

Handles: For handles other than H162 standard, please choose from the Logilife list at no extra charge.

Adjustable shelves (SH): 20" L = \$42 per additional shelf, supports included.

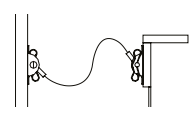
Options

Oval Legs
(set of 4)



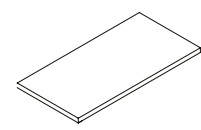
\$0

Anti-Tipping Kit



\$61

Additional Shelves



SH

Prices

| Dimensions | | | LFM |
|------------|----|----|------|
| A | B | C | |
| 24 | 20 | 84 | 1639 |

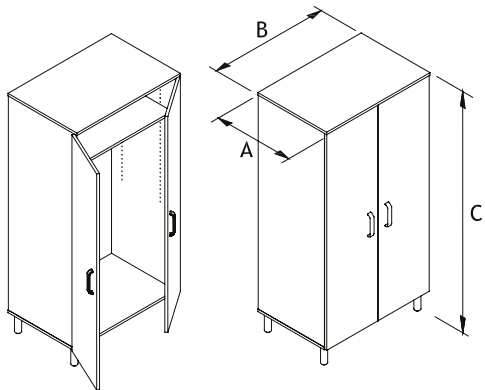
How to Order

| LFM | ABC | PEN2 | L R | OVAM6SN TU6SN (std) | H162 (std) | DECR | SH |
|--------------------|------------|-------------|--------|------------------------|----------------|------------------|---------|
| series | dimensions | code | side | legs and casters | handles p. 100 | anti-tipping kit | shelves |
| Example LFM | 242084 | PEN2 | L | TU6SN | H162 | DECR | |

Modern Series

Wardrobes

LFM PEN3



Manufacturing Standards

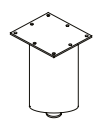
- The legs are delivered not installed;
- 2 door wardrobe with H162 handles;
- 1 safety garment rail under adjustable shelf;
- 6" tubular metal legs (TU6SN);
- 2 air vents.

Handles: For handles other than H162 standard, please choose from the Logilife list at no extra charge.

Adjustable shelves (SH): for units of 30" L = \$62, 36" L = \$ 77 , 42" W = \$ 89 per additional shelf, supports included.

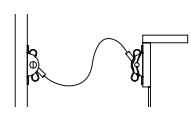
Options

Oval Legs
(set of 4)



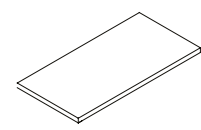
\$0

Anti-Tipping Kit



\$61

Additional Shelves



SH

Prices

| Dimensions | | | |
|------------|---|---|------|
| A | B | C | LFM |
| 243072 | | | 1553 |
| 243672 | | | 1628 |

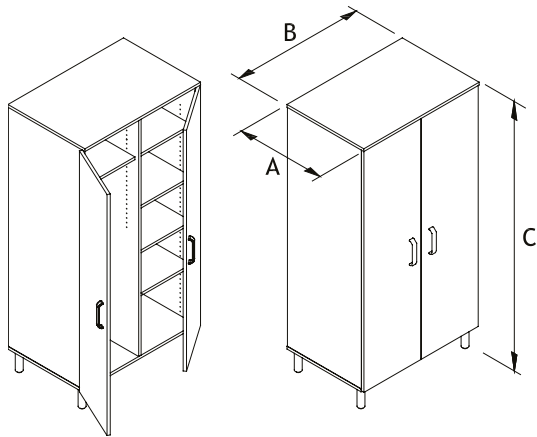
How to Order

| LFM | ABC | PEN3 | OVAM6SN TU6SN (std) | H162 (std) | DECR | SH |
|--------------------|------------|-------------|------------------------|-------------------|------------------|---------|
| series | dimensions | code | legs and casters | handles p. 100 | anti-tipping kit | shelves |
| Example LFM | 243072 | PEN3 | TU6SN | H162 | DECR | |

Modern Series

Wardrobes

LFM PEN4



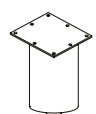
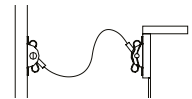
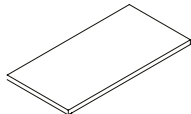
Manufacturing Standards

- The legs are delivered not installed;
- 2 door wardrobe with H162 handles;
- 1 safety garment rail under adjustable shelf on left;
- 1 central division;
- 4 adjustable shelves on right;
- 6" tubular metal legs (TU6SN);
- 2 air vents.

Handles: For handles other than H162 standard, please choose from the Logilife list at no extra charge.

Adjustable shelves (SH): for units of 30" L = \$29, 36" L = \$40, 42" W = \$ 45 per additional shelf, supports included.

Options

| | | |
|---|--|--|
| <p>Oval Legs (set of 4)</p>  <p>\$0</p> | <p>Anti-Tipping Kit</p>  <p>\$61</p> | <p>Additional Shelves</p>  <p>SH</p> |
|---|--|--|

Prices

| Dimensions | | |
|------------|---|------|
| A | B | C |
| 243072 | | 1925 |
| 243672 | | 2013 |

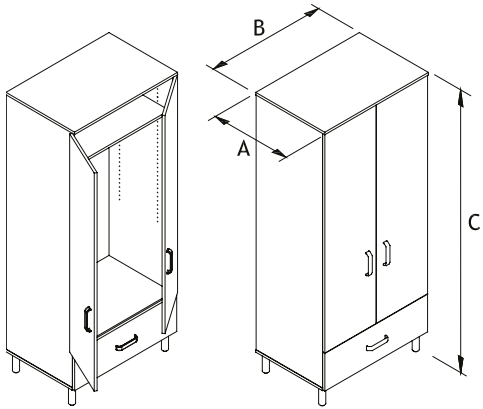
How to Order

| LFM | ABC | PEN4 | OVAM6SN TU6SN (std) | H162 (std) | DECR | SH |
|--------------------|------------|-------------|------------------------|----------------|------------------|---------|
| series | dimensions | code | legs and casters | handles p. 100 | anti-tipping kit | shelves |
| Example LFM | 243072 | PEN4 | TU6SN | H162 | DECR | |

Modern Series

Wardrobes

LFM PEN5



Manufacturing Standards

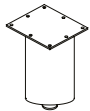
- The legs are delivered not installed;
- 2 door wardrobe with H162 handles;
- 1 safety garment rail under adjustable shelf;
- 1 drawer with H162 handle;
- 6" tubular metal legs (TU6SN);
- 2 air vents.

Handles: For handles other than H162 standard, please choose from the Logilife list at no extra charge.

Adjustable shelves (SH): for units of 30" L = \$62, 36" L = \$ 77 , 42" W = \$ 89 per additional shelf, supports included.

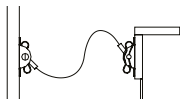
Options

Oval Legs (set of 4)



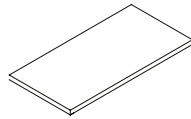
\$0

Anti-Tipping Kit



\$61

Additional Shelves



SH

Prices

Dimensions

| A | B | C | LFM |
|--------|---|---|------|
| 243084 | | | 1982 |

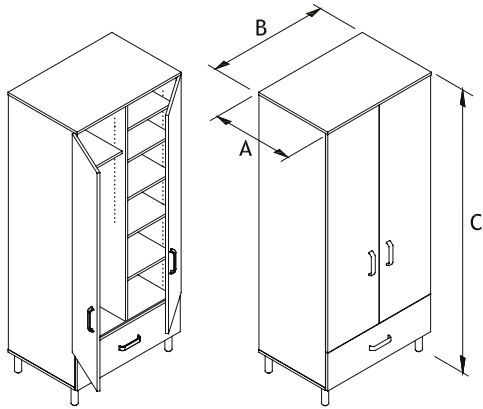
How to Order

| LFM | ABC | PEN5 | OVAM6SN TU6SN (std) | H162 (std) | DECR | SH |
|--------------------|------------|-------------|------------------------|-------------------|------------------|---------|
| series | dimensions | code | legs and casters | handles p. 100 | anti-tipping kit | shelves |
| Example LFM | 243084 | PEN5 | TU6SN | H162 | DECR | |

Modern Series

Wardrobes

LFM PEN6



Manufacturing Standards

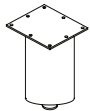
- The legs are delivered not installed;
- 2 door wardrobe with H162 handles;
- 1 safety garment rail under adjustable shelf on left;
- 1 drawer with H162 handle;
- 1 central division;
- 5 adjustable shelves on right;
- 6" tubular metal legs (TU6SN);
- 2 air vents.

Handles: For handles other than H162 standard, please choose from the Logilife list at no extra charge.

Adjustable shelves (SH): for units of 30" L = \$33, 36" L = \$43, 42" W = \$50 per additional shelf, supports included.

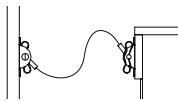
Options

Oval Legs (set of 4)



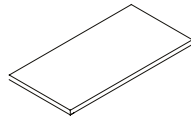
\$0

Anti-Tipping Kit



\$61

Additional Shelves



SH

Prices

Dimensions

| A | B | C | LFM |
|--------|---|---|------|
| 243084 | | | 2381 |

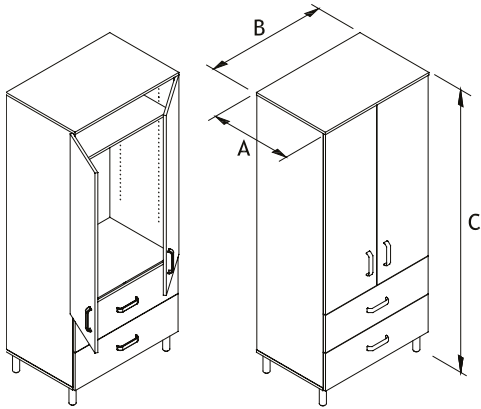
How to Order

| LFM | ABC | PEN6 | OVAM6SN TU6SN (std) | H162 (std) | DECR | SH |
|--------------------|------------|-------------|------------------------|-------------------|------------------|---------|
| series | dimensions | code | legs and casters | handles p. 100 | anti-tipping kit | shelves |
| Example LFM | 243084 | PEN6 | TU6SN | H162 | DECR | |

Modern Series

Wardrobes

LFM PEN7



Manufacturing Standards

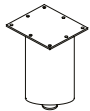
- The legs are delivered not installed;
- 2 door wardrobe with H162 handles;
- 1 safety garment rail under adjustable shelf;
- 2 drawers with H162 handles;
- 6" tubular metal legs (TU6SN);
- 2 air vents.

Handles: For handles other than H162 standard, please choose from the Logilife list at no extra charge.

Adjustable shelves (SH): for units of 30" L = \$62, 36" L = \$ 77, 42" W = \$ 89 per additional shelf, supports included.

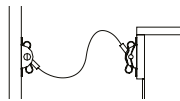
Options

Oval Legs (set of 4)



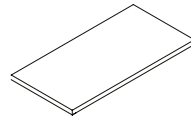
\$0

Anti-Tipping Kit



\$61

Additional Shelves



SH

Prices

Dimensions

| A | B | C | LFM |
|--------|---|---|------|
| 243084 | | | 2181 |

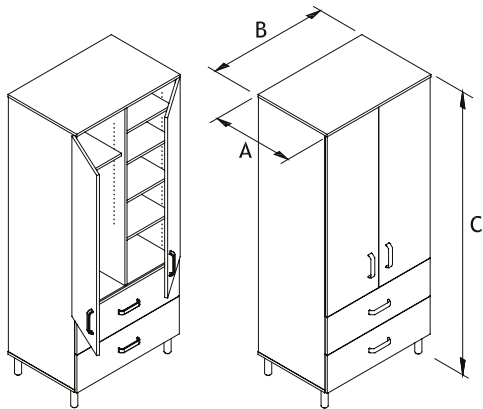
How to Order

| LFM | ABC | PEN7 | OVAM6SN TU6SN (std) | H162 (std) | DECR | SH |
|--------------------|------------|-------------|------------------------|-------------------|------------------|---------|
| series | dimensions | code | legs and casters | handles p. 100 | anti-tipping kit | shelves |
| Example LFM | 243084 | PEN7 | TU6SN | H162 | DECR | |

Modern Series

Wardrobes

LFM PEN8



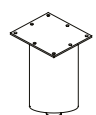
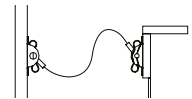
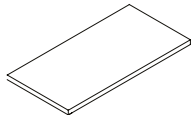
Manufacturing Standards

- The legs are delivered not installed;
- 2 door wardrobe with H162 handles;
- 1 safety garment rail under adjustable shelf on left;
- 2 drawers with H162 handles;
- 1 central division;
- 4 adjustable shelves on right;
- 6" tubular metal legs (TU6SN);
- 2 air vents.

Handles: For handles other than H162 standard, please choose from the Logilife list at no extra charge.

Adjustable shelves (SH): for units of 30" L = \$33, 36" L = \$43, 42" W = \$50 per additional shelf, supports included.

Options

| | | |
|---|--|--|
| <p>Oval Legs (set of 4)</p>  <p>\$0</p> | <p>Anti-Tipping Kit</p>  <p>\$61</p> | <p>Additional Shelves</p>  <p>SH</p> |
|---|--|--|

Prices

| Dimensions | | | LFM |
|------------|---|---|------|
| A | B | C | |
| 243084 | | | 2521 |

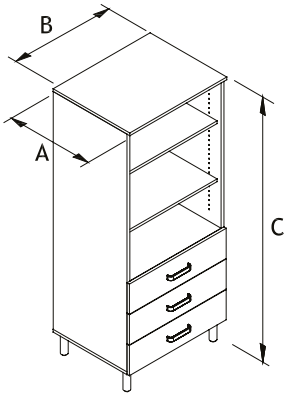
How to Order

| LFM | ABC | PEN8 | OVAM6SN TU6SN (std) | H162 (std) | DECR | SH |
|--------------------|------------|-------------|------------------------|-------------------|------------------|---------|
| series | dimensions | code | legs and casters | handles p. 100 | anti-tipping kit | shelves |
| Example LFM | 243084 | PEN8 | TU6SN | H162 | DECR | |

Modern Series

Storage Towers

LFM RAN1



Manufacturing Standards

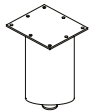
- The legs are delivered not installed;
- 1 open space with 2 adjustable shelves;
- 6" tubular metal legs (TU6SN);
- 3 drawers with H162 handles.

Handles: For handles other than H162 standard, please choose from the Logilife list at no extra charge.

Adjustable shelves (SH): for units of 30" L = \$ 62 , 36" L = \$ 77 , 42" W = \$ 89 per additional shelf, supports included.

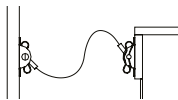
Options

Oval Legs (set of 4)



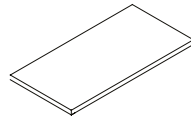
\$0

Anti-Tipping Kit



\$61

Additional Shelves



SH

Prices

| Dimensions | | | LFM |
|------------|----|----|------|
| A | B | C | |
| 24 | 30 | 84 | 2098 |

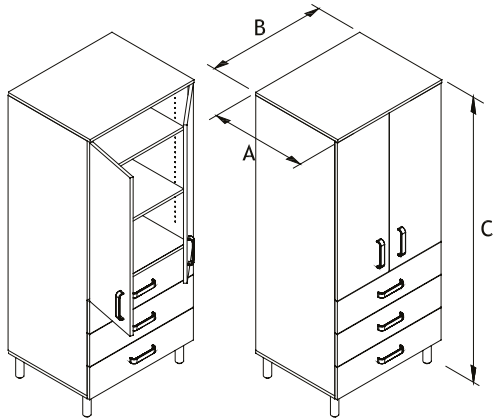
How to Order

| LFM | ABC | RAN1 | OVAM6SN TU6SN (std) | H162 (std) | DECR | SH |
|--------------------|------------|-------------|------------------------|-------------------|------------------|---------|
| series | dimensions | code | legs and casters | handles p. 100 | anti-tipping kit | shelves |
| Example LFM | 243084 | RAN1 | TU6SN | H162 | DECR | |

Modern Series

Storage Towers

LFM RAN2



Manufacturing Standards

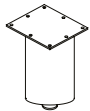
- The legs are delivered not installed;
- 2 door cabinet with H162 handles;
- 2 adjustable shelves;
- 3 drawers with H162 handles;
- 6" tubular metal legs (TU6SN);
- 1 air vent.

Handles: For handles other than H162 standard, please choose from the Logilife list at no extra charge.

Adjustable shelves (SH): for units of 30" L = \$ 62 , 36" L = \$ 77 , 42" W = \$ 89 per additional shelf, supports included.

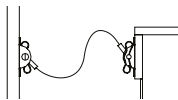
Options

Oval Legs (set of 4)



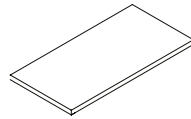
\$0

Anti-Tipping Kit



\$61

Additional Shelves



SH

Prices

| Dimensions | | | LFM |
|------------|----|----|------|
| A | B | C | |
| 24 | 30 | 84 | 2380 |

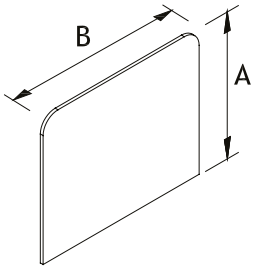
How to Order

| LFM | ABC | RAN2 | OVAM6SN TU6SN (std) | H162 (std) | DECR | SH |
|----------------|------------|--------|------------------------|-------------------|------------------|---------|
| series | dimensions | code | legs and casters | handles p. 100 | anti-tipping kit | shelves |
| Example | LFM | 243084 | RAN2 | TU6SN | H162 | DECR |

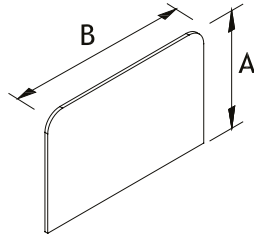
Modern Series

Rectangular Headboard and Footboard

LFM TLRT



LFM PLRT



Manufacturing Standards

- 3/4" laminate headboard and footboard.

Prices

TLRT - Rectangular headboard

| Dimensions | | LFM |
|------------|-----|-----|
| A | B | |
| 3442 | 216 | |

PLRT - Rectangular footboard

| Dimensions | | LFM |
|------------|-----|-----|
| A | B | |
| 2742 | 173 | |

How to Order

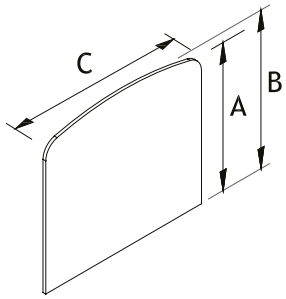
| LFM | AB | TLRT PLRT |
|--------|------------|--------------|
| series | dimensions | code |
| LFM | 3442 | TLRT |

Example LFM 3442 TLRT

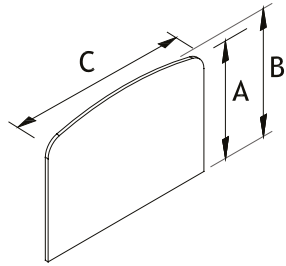
Modern Series

Curved Headboard and Footboard

LFM TLCX



LFM PLCX



Manufacturing Standards

- 3/4" laminate headboard and footboard.

Prices

TLCX - Curved headboard

| Dimensions | |
|------------|-----|
| A B C | LFM |
| 343742 | 234 |

PLCX - Curved footboard

| Dimensions | |
|------------|-----|
| A B C | LFM |
| 273042 | 190 |

How to Order

| LFM | ABC | TLCX PLCX |
|--------|------------|--------------|
| series | dimensions | code |
| LFM | 343742 | TLCX |

Example LFM 343742 TLCX

Tables



Tables Series

Flex, All-Purpose & Occasional Tables

Tables

Manufacturing Standards: Tables Series

Tops

All Logilife Tables are made of 1" thermally fused laminate or high pressure laminate tops with 2mm heat-sealed PVC edges.

Flex Tables



Flex tables offer independent height adjustment of each surface. Surfaces are adjustable from 27" to 37". Bases are designed to allow maximum clearance to facilitate medical assistant duties. Tables are equipped with height adjustable glides.

Tables with Height Adjustable Mechanism

Tables provided with a pneumatic mechanism base can be adjust in height from 28" to 38".

Limited Lifetime Warranty

All Logilife furniture manufactured after August 1, 2012 is provided with a limited lifetime warranty.

Finishes

5 wood grain finishes and 1 solid color are offered in the Tables Series:

- **BC** - Brown Cherry
- **CC** - Classic Chocolate
- **DR** - Driftwood
- **EC** - Classic Maple
- **TO** - Tobacco
- **W** - Polar White

Customized Products

The models presented here are suggestions: they can all be modified according to your needs.

Please see page [Appendix B](#) for more information and suggestions about custom manufacturing.

Options

Flip-top Mechanism | Tables with BPX Bases:



Tables with pneumatic mechanism can be ordered with a flip-top mechanism to reduce the storage footprint.

Lazy Susan | Flex Tables:



Flex tables can receive a central swivel circular tray.

Curved Fronts | Flex Tables:



Flex table surfaces may have a concave shape for the user comfort.

Sliding Action | Flex Tables:

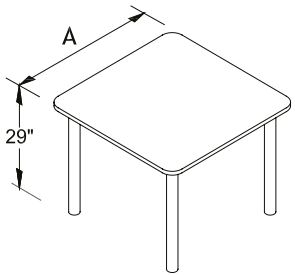


Each top of Flex tables can be provided with independent mechanism for adjustability in depth in order to move tops forward. 1 mechanism per top is needed.

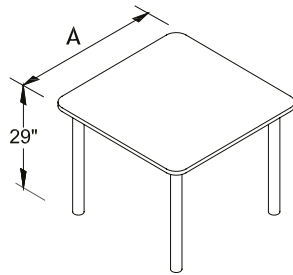
Tables

All Purpose Tables

TCAIFN



TCAOVA



Manufacturing Standards

- Delivered disassembled;
- Square surface with rounded corners;
- Metal legs, satin nickel finish.

Prices

TCAIFN - 2-1/2" metal tubular legs

| Dimensions | LF | LFL |
|------------|-----|-----|
| A | tfl | hpl |
| 36 | 610 | 846 |
| 42 | 645 | 929 |

TCAOVA - Metal oval legs

| Dimensions | LF | LFL |
|------------|-----|------|
| A | tfl | hpl |
| 36 | 952 | 1222 |
| 42 | 989 | 1309 |

How to Order

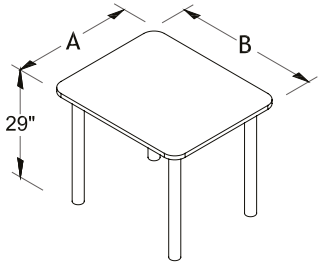
| LF | A | IFN | OVA | SN |
|--------|------------|-----|------|--------------|
| LFL | | TCA | | |
| series | dimensions | top | legs | metal finish |
| LF | 36 | TCA | IFN | SN |

Example LF 36 TCA IFN SN

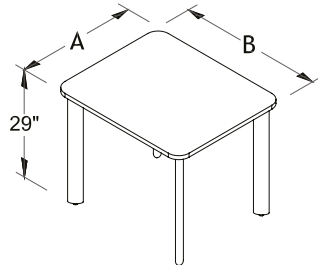
Tables

All Purpose Tables

TAIFN



TAOVA



Manufacturing Standards

- Delivered disassembled;
- Rectangular surface with rounded corners;
- Metal legs, satin nickel finish.

Prices

TAIFN - 2-1/2" metal tubular legs

| Dimensions A B | LF tfl | LFL hpl |
|-------------------|-----------|------------|
| 2430 | 567 | 782 |
| 3036 | 595 | 814 |
| 3648 | 645 | 870 |
| 3654 | 675 | 902 |

TAOVA - Metal oval legs

| Dimensions A B | LF tfl | LFL hpl |
|-------------------|-----------|------------|
| 2430 | 871 | 1120 |
| 3036 | 970 | 1227 |
| 3648 | 989 | 1245 |
| 3654 | 1019 | 1279 |

How to Order

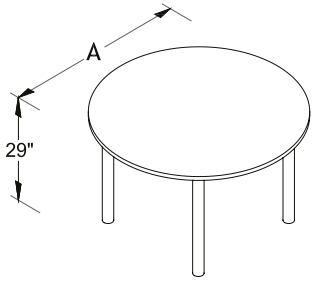
| LF LFL | AB | TA IFN | OVA | SN |
|-----------|------------|-----------|------|--------------|
| series | dimensions | top | legs | metal finish |

Example LF 2430 TA IFN SN

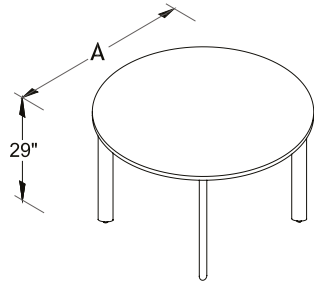
Tables

All Purpose Tables

TRIFN



TROVA



Manufacturing Standards

- Delivered disassembled;
- Circular surface;
- Metal legs, satin nickel finish.

Prices

TRIFN - 2-1/2" metal tubular legs

| Dimensions | LF | LFL |
|------------|-----|-----|
| A | tfl | hpl |
| 36 | 610 | 846 |
| 42 | 645 | 929 |

TROVA - Metal oval legs

| Dimensions | LF | LFL |
|------------|-----|------|
| A | tfl | hpl |
| 36 | 952 | 1222 |
| 42 | 989 | 1309 |

How to Order

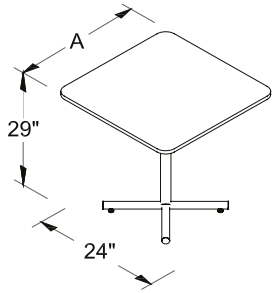
| LF LFL | A | TR IFN | OVA | SN |
|-----------|------------|-----------|------|-----------------|
| series | dimensions | top | legs | metal finish |

Example LF 36 TR IFN SN

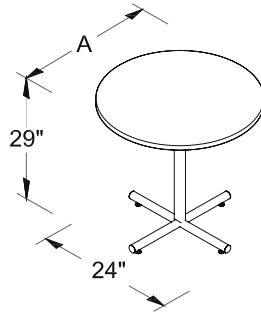
Tables

All Purpose Tables

TCASTA4



TRSTA4



Manufacturing Standards

- Delivered disassembled;
- 1-1/2" metal tubular base.

Prices

TCASTA4 - Square surface with rounded corners

| Dimensions | LF | LFL |
|------------|-----|------|
| A | tfl | hpl |
| 24 | 824 | 1000 |

TRSTA4 - Circular surface

| Dimensions | LF | LFL |
|------------|-----|-----|
| A | tfl | hpl |
| 24 | 796 | 972 |

How to Order

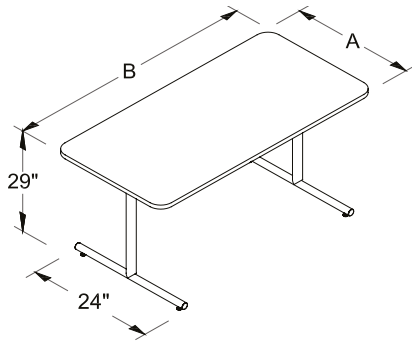
| LF | A | TCA | TR | |
|--------|------------|-----|--------|--------------|
| LFL | | | | |
| | 24 | | STA424 | SN |
| series | dimensions | top | legs | metal finish |

Example LF 24 TCA STA424 SN

Tables

All Purpose Tables

TASTA2



Manufacturing Standards

- Delivered disassembled;
- Rectangular surface with rounded corners;
- 1-1/2" metal tubular legs.

Prices

| Dimensions A B | LF tfl | LFL hpl |
|-------------------|-----------|------------|
| 2436 | 1084 | 1338 |
| 2442 | 1093 | 1370 |
| 2448 | 1100 | 1404 |
| 2454 | 1110 | 1435 |
| 2460 | 1203 | 1560 |

How to Order

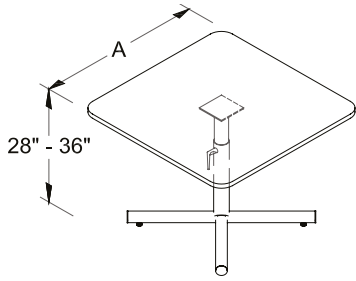
| LF LFL | AB | TA | STA224 | SN |
|-----------|------------|-----|--------|-----------------|
| series | dimensions | top | legs | metal finish |

Example LF 2436 TA STA224 SN

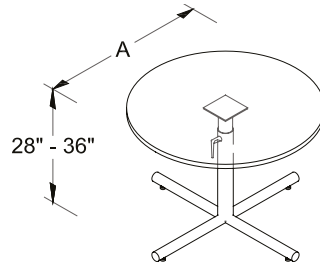
Tables

All Purpose Tables

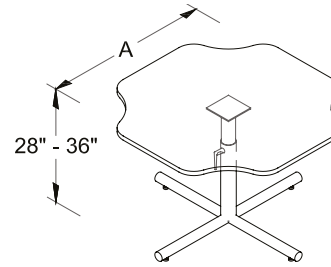
TCABPX



TRBPX



ARCBPX



Manufacturing Standards

- Delivered disassembled;
- Tubular metal base with pneumatic adjustable height mechanism from 28" to 36"H.

Options

Flip-Top Mechanism



FT
\$138

Prices

TCABPX - Square surface with rounded corners

| Dimensions | LF | LFL |
|------------|------|------|
| A | tfl | hpl |
| 38 | 1787 | 2133 |
| 42 | 1833 | 2227 |

TRBPX - Circular surface

| Dimensions | LF | LFL |
|------------|------|------|
| A | tfl | hpl |
| 38 | 1790 | 2138 |
| 42 | 1835 | 2230 |

ARCBPX - Square surface with concave corners

| Dimensions | LF | LFL |
|------------|------|------|
| A | tfl | hpl |
| 42 | 1913 | 2312 |

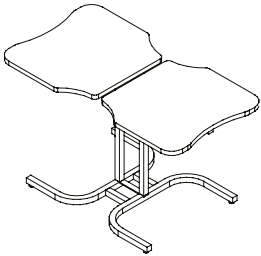
How to Order

| LF | A | TCA TR ARC | BPX | SN | FT |
|-------------------|------------|------------------|------------|--------------|----------|
| LFL | | | | | |
| series | dimensions | top | legs | metal finish | flip-top |
| Example LF | 42 | TCA | BPX | SN | |

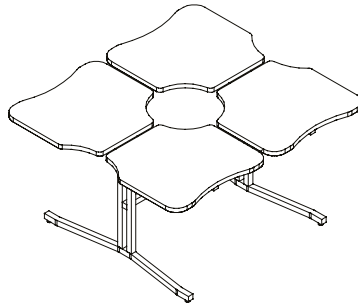
Tables

Flex Tables

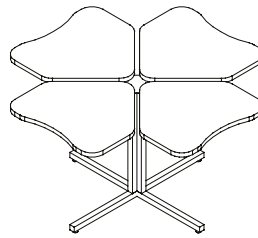
FLEX2



FLEX4T



FLEX4X



Manufacturing Standards

- 2 or 4 tops with curved tops;
- Independent adjustable height mechanism from 27" to 37"H.

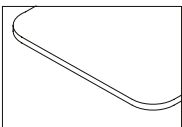
Note: Sliding Tray (AP) option adds a 6-1/2" adjustment towards the user.

Dimensions:

| Code | Total Width | Total Depth | Surface Width | Surface Depth | Lazy Susan |
|--------|-------------|-------------|---------------|---------------|------------|
| FLEX2 | 26" | 48.75" | 26" | 24" | 12" |
| FLEX4T | 52.75" | 48.75" | 26" | 24" | 14" |
| FLEX4X | 49.75" | 48.75" | 24.5" | 24.5" | 14" |

Options

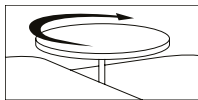
Straight Front



ST

\$0

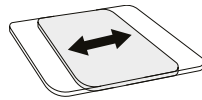
Lazy Susan



PC

Price on request

Sliding Action



AP

Price on request

Prices

FLEX2 - 2 adjustable tops with rounded corners

| Code | LFL | hpl |
|-------|------------------|-----|
| FLEX2 | Price on request | |

FLEX4T - 4 adjustable tops with rounded corners

| Code | LFL | hpl |
|--------|------------------|-----|
| FLEX4T | Price on request | |

FLEX4X - 4 adjustable tops with rounded corners

| Code | LFL | hpl |
|--------|------------------|-----|
| FLEX4X | Price on request | |

How to Order

| LFL | FLEX2 FLEX4T FLEX4X | BL SN (std) | ST | PC | AP |
|--------|---------------------------|----------------|----------------|------------|----------------|
| series | code | metal finish | straight front | lazy susan | sliding action |

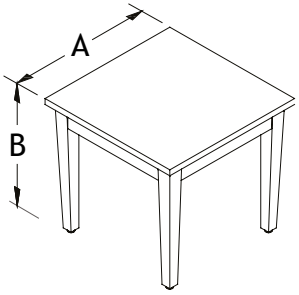
Example

| | | | | | |
|-----|-------|----|--|--|--|
| LFL | FLEX2 | SN | | | |
|-----|-------|----|--|--|--|

Tables

Occasional Tables

TCWL



Manufacturing Standards

- Square surface;
- Wooden apron and 2-1/4" x 2-1/4" tapered legs.

Wood finishes: Available colors: White Wash **WW**, Golden Wheat **GW**, Sand **SD**, Apricot **AT**, Pecan **PN**, Brandy **BR**, Chestnut **CT**, Coffee **CF**, Espresso **ES**, Bordeaux **BO**, Black Wash **BW** and Bark **BK**.

Prices

TCWL - Side table

| Dimensions | LFW | LFWL |
|------------|-----|------|
| A B | tfl | hpl |
| 2022 | 615 | 762 |
| 2422 | 636 | 816 |

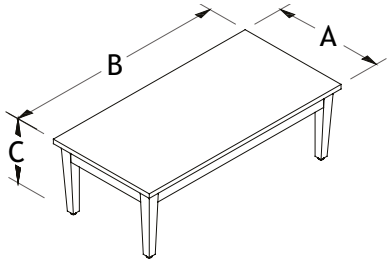
How to Order

| LFW | A | TC | WL | B | Finishes See the Logiflex Color Guide |
|--------------------|------------|-----------|-----------|--------|--|
| LFWL | | | | | |
| series | dimensions | top | legs | height | leg color |
| Example LFW | 20 | TC | WL | 22 | BK |

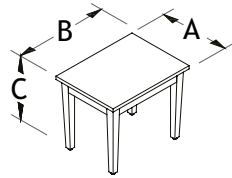
Tables

Occasional Tables

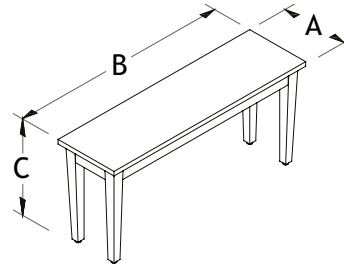
TWL 16



TWL 22



TWL 30



Manufacturing Standards

- Rectangular surface;
- Wooden apron and 2-1/4" x 2-1/4" tapered legs.

Wood finishes: Available colors: White Wash **WW**, Golden Wheat **GW**, Sand **SD**, Apricot **AT**, Pecan **PN**, Brandy **BR**, Chestnut **CT**, Coffee **CF**, Espresso **ES**, Bordeaux **BO**, Black Wash **BW** and Bark **BK**.

Prices

TWL16 - Coffee table

| Dimensions | LFW | LFWL |
|------------|-----|------|
| A B C | tfl | hpl |
| 243616 | 871 | 1024 |
| 244816 | 705 | 1001 |

TWL22 - Side table

| Dimensions | LFW | LFWL |
|------------|-----|------|
| A B C | tfl | hpl |
| 162022 | 607 | 727 |
| 202422 | 623 | 779 |

TWL30 - Sofa table

| Dimensions | LFW | LFWL |
|------------|-----|------|
| A B C | tfl | hpl |
| 143630 | 680 | 847 |
| 144830 | 717 | 919 |
| 146030 | 742 | 974 |

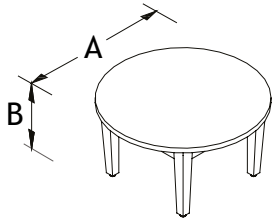
How to Order

| LFW | AB | T | WL | C | Finishes See the Logiflex Color Guide |
|--------------------|------------|----------|-----------|--------|--|
| LFWL | | | | | |
| series | dimensions | top | legs | height | leg color |
| Example LFW | 2436 | T | WL | 16 | BK |

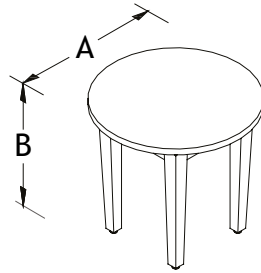
Tables

Occasional Tables

TRWL 16



TRWL 22



Manufacturing Standards

- Circular surface;
- Wooden apron and 2-1/4" x 2-1/4" tapered legs.

Wood finishes: Available colors: White Wash **WW**, Golden Wheat **GW**, Sand **SD**, Apricot **AT**, Pecan **PN**, Brandy **BR**, Chestnut **CT**, Coffee **CF**, Espresso **ES**, Bordeaux **BO**, Black Wash **BW** and Bark **BK**.

Prices

TRWL16 - Coffee table

| Dimensions | LFW | LFWL |
|------------|-----|------|
| A B | tfl | hpl |
| 2416 | 804 | 954 |
| 3016 | 859 | 1075 |
| 3616 | 901 | 1190 |

TRWL22 - Side table

| Dimensions | LFW | LFWL |
|------------|-----|------|
| A B | tfl | hpl |
| 2422 | 871 | 1024 |

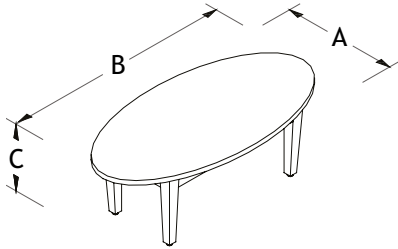
How to Order

| LFW | A | TR | WL | B | Finishes See the Logiflex Color Guide |
|--------------------|------------|-----|------|--------|--|
| LFWL | | | | | |
| series | dimensions | top | legs | height | leg color |
| Example LFW | 24 | TR | WL | 16 | BK |

Tables

Occasional Tables

ELWL 16



Manufacturing Standards

- Elliptical surface;
- Wooden apron and 2-1/4" x 2-1/4" tapered legs.

Wood finishes: Available colors: White Wash **WW**, Golden Wheat **GW**, Sand **SD**, Apricot **AT**, Pecan **PN**, Brandy **BR**, Chestnut **CT**, Coffee **CF**, Espresso **ES**, Bordeaux **BO**, Black Wash **BW** and Bark **BK**.

Prices

ELWL16 - Coffee table

| Dimensions | LFW | LFWL |
|------------|-----|------|
| A B C | tfl | hpl |
| 243616 | 765 | 1007 |
| 244816 | 809 | 1110 |

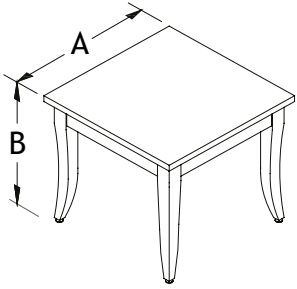
How to Order

| LFW | LFWL | AB | EL | WL | C | Finishes See the Logiflex Color Guide |
|--------------------|------------|-----|------|--------|-----------|--|
| series | dimensions | top | legs | height | leg color | |
| Example LFW | 2436 | EL | WL | 16 | BK | |

Tables

Occasional Tables

TCWLG



Manufacturing Standards

- Square surface;
- Wooden apron and 2-1/4" x 2-1/4" curved legs.

Wood finishes: Available colors: White Wash **WW**, Golden Wheat **GW**, Sand **SD**, Apricot **AT**, Pecan **PN**, Brandy **BR**, Chestnut **CT**, Coffee **CF**, Espresso **ES**, Bordeaux **BO**, Black Wash **BW** and Bark **BK**.

Prices

TCWLG - Side table

| Dimensions | LFW | LFWL |
|------------|-----|------|
| A B | tfl | hpl |
| 2022 | 708 | 854 |
| 2422 | 728 | 907 |

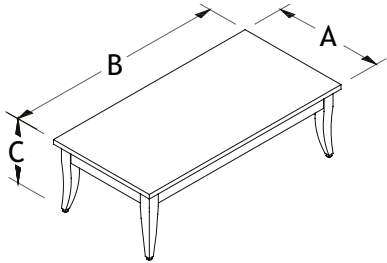
How to Order

| LFW | LFWL | A | TC | WLG | B | Finishes See the Logiflex Color Guide |
|--------------------|------------|-----------|------------|--------|-----------|--|
| series | dimensions | top | legs | height | leg color | |
| Example LFW | 20 | TC | WLG | 22 | BK | |

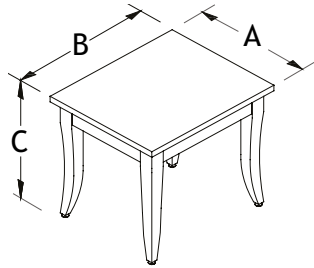
Tables

Occasional Tables

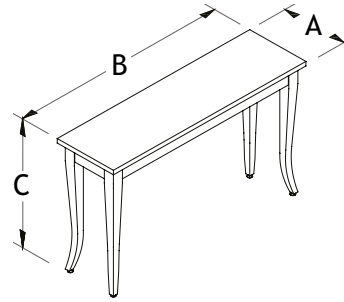
TWLG 16



TWLG 22



TWLG 30



Manufacturing Standards

- Rectangular surface;
- Wooden apron and 2-1/4" x 2-1/4" curved legs.

Wood finishes: Available colors: White Wash **WW**, Golden Wheat **GW**, Sand **SD**, Apricot **AT**, Pecan **PN**, Brandy **BR**, Chestnut **CT**, Coffee **CF**, Espresso **ES**, Bordeaux **BO**, Black Wash **BW** and Bark **BK**.

Prices

TWLG16 - Coffee table

| Dimensions | LFW | LFWL |
|------------|-----|------|
| A B C | tfl | hpl |
| 243616 | 714 | 950 |
| 244816 | 757 | 1052 |

TWLG22 - Side table

| Dimensions | LFW | LFWL |
|------------|-----|------|
| A B C | tfl | hpl |
| 162022 | 697 | 830 |
| 202422 | 717 | 880 |

TWLG30 - Sofa table

| Dimensions | LFW | LFWL |
|------------|-----|------|
| A B C | tfl | hpl |
| 143630 | 810 | 989 |
| 144830 | 843 | 1056 |
| 146030 | 871 | 1120 |

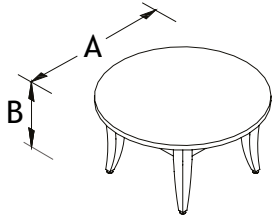
How to Order

| LFW | LFWL | AB | T | WLG | C | Finishes See the Logiflex Color Guide |
|--------------------|------------|-----|------|--------|-----------|--|
| series | dimensions | top | legs | height | leg color | |
| Example LFW | 2436 | T | WLG | 16 | BK | |

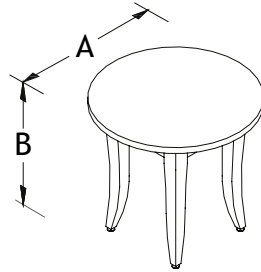
Tables

Occasional Tables

TRWLG 16



TRWLG 22



Manufacturing Standards

- Circular surface;
- Wooden apron and 2-1/4" x 2-1/4" curved legs.

Wood finishes: Available colors: White Wash **WW**, Golden Wheat **GW**, Sand **SD**, Apricot **AT**, Pecan **PN**, Brandy **BR**, Chestnut **CT**, Coffee **CF**, Espresso **ES**, Bordeaux **BO**, Black Wash **BW** and Bark **BK**.

Prices

TRWLG16 - Coffee table

| Dimensions | LFW | LFWL |
|------------|-----|------|
| A B | tfl | hpl |
| 2416 | 768 | 954 |
| 3016 | 820 | 1075 |
| 3616 | 860 | 1190 |

TRWLG22 - Side table

| Dimensions | LFW | LFWL |
|------------|-----|------|
| A B | tfl | hpl |
| 2422 | 831 | 1024 |

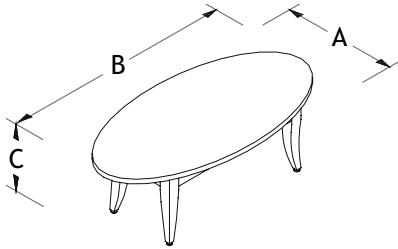
How to Order

| LFW | A | TR | WLG | B | Finishes See the Logiflex Color Guide |
|--------------------|------------|-----------|------------|--------|--|
| LFWL | | | | | |
| series | dimensions | top | legs | height | leg color |
| Example LFW | 24 | TR | WLG | 16 | BK |

Tables

Occasional Tables

ELWLG 16



Manufacturing Standards

- Elliptical surface;
- Wooden apron and 2-1/4" x 2-1/4" curved legs.

Wood finishes: Available colors: White Wash **WW**, Golden Wheat **GW**, Sand **SD**, Apricot **AT**, Pecan **PN**, Brandy **BR**, Chestnut **CT**, Coffee **CF**, Espresso **ES**, Bordeaux **BO**, Black Wash **BW** and Bark **BK**.

Prices

ELWLG16 - Coffee table

| Dimensions | LFW | LFWL |
|------------|-----|------|
| A B C | tfl | hpl |
| 243616 | 819 | 1065 |
| 244816 | 862 | 1168 |

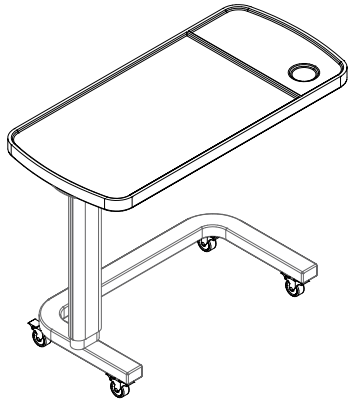
How to Order

| LFW | LFWL | AB | EL | WLG | C | Finishes See the Logiflex Color Guide |
|--------------------|------------|-----|------|--------|-----------|--|
| series | dimensions | top | legs | height | leg color | |
| Example LFW | 2436 | EL | WLG | 16 | BK | |

Tables

Overbed Table

LF OBT



Manufacturing Standards

- ABS plastic surface;
- 11" adjustment surface can be positioned from 27-7/8"H to 38-7/8"H;
- White base with robust steel structure;
- C-base with swivel casters, 2 with locking casters;
- 100 lbs weight capacity.
- Top dimensions: 35 1/2" x 17 3/4".

Prices

| Code | |
|------|------|
| OBT | 1073 |

How to Order

| LF | OBT |
|--------|------|
| series | code |

Example

| | |
|----|-----|
| LF | OBT |
|----|-----|



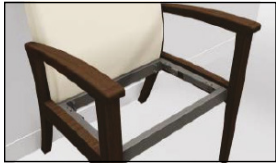
Seating



Hosta
Wooden Seats

Manufacturing Standards: Hosta Series

Construction | Armchairs*



The structural seat frame is made of welded steel for an increased strength and durability. Its assembly allows 3 levels of adjustments in height and 2 in deepness while the metal to metal connections allows individual components to be replaced without having to replace the entire chair.

*Feature not available for the general purpose chair.

Easy Cleaning



All Logilife chairs feature a vinyl moisture barrier with aerators that covers the underside of the seat. All models are also designed with a clearance space between the back and the cushion, facilitating maintenance and cleaning.

Wall Saver



Logilife chairs are specifically designed to prevent premature wear and damages by avoiding contacts between the back, the armrests and the surrounding walls.

Safe and Easy Ingress and Egress



The wooden frame is assembled with mortise and tenon construction for optimal strength. Logilife chairs are designed with molded backs and spring seat construction for optimal comfort and ergonomic support. Chair backs and seats utilize multi-density foam and legs are equipped with non-marking glides.

Frame | Armchairs

The wooden frame is assembled with mortise and tenon construction for optimal strength. Logilife chairs are designed with molded backs and spring seat construction for optimal comfort and ergonomic support. Chair backs and seats utilize multi-density foam and legs are equipped with non-marking glides.

Weight Capacity | Bariatric Armchairs

Bariatric armchairs have a weight capacity of 750lbs.

California Technical Bulletin 117

The Celcor foam used meets or exceeds the California Technical Bulletin 117 norms.

Limited Lifetime Warranty

All Logilife furniture manufactured after August 1, 2012 is provided with a limited lifetime warranty.

Laminate

5 laminate colors are offered in the Logilife Series:

- **BC** - Brown Cherry
- **CC** - Classic Chocolate
- **DR** - Driftwood
- **EC** - Classic Maple
- **TO** - Tobacco
- **W** - Polar White

Upholstery Specification

Logiflex offers its customers several methods of specifying the fabrics from different suppliers. Terms and conditions for approval and order are listed on [p. 10](#). It is also possible to combine more than one fabric for the same seat, at no additional cost. The price of the seat will be determined according to the highest grade of fabric.

Customized Products

The models presented here are suggestions: they can all be customized to meet individual requirements. In addition to designing and manufacturing entirely customized furniture, Logiflex offers to simply modifying the dimensions of the models presented or to use non-standard colors.

Options

CAL 133

Logilife seats may receive a non-flammable lining compliant with California Technical Bulletin 133. Please take note the non-flammable lining does not alone ensure the product certification. Consult [p. 10](#) for more information.

Polyurethane Arm Cap



The optional arm cap increases durability for the armrests. It is replaceable if it becomes damaged.

Removable Head Cover

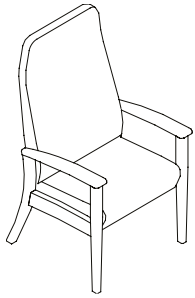


A removable slipcover for head area is available in order to reduce excessive wear of the back and facilitate cleaning.

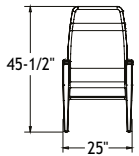
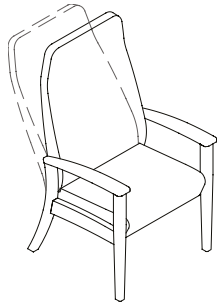
Seating

Hosta - Patient Armchairs

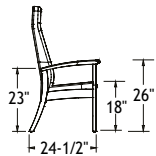
LFH RES



LFH RESR

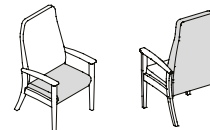


Front view



Side view

Combination of Colors



Seat Backrest

Manufacturing Standards

- **RES:** fixed molded high back;
- **RESR:** reclining molded high back;
- Seat with springs;
- Wooden frame and armrests.

Wood finishes: Available colors: White Wash **WW**, Golden Wheat **GW**, Sand **SD**, Apricot **AT**, Pecan **PN**, Brandy **BR**, Chestnut **CT**, Coffee **CF**, Espresso **ES**, Bordeaux **BO**, Black Wash **BW** and Bark **BK**.

Combination of fabrics: For two-tone upholstery, please use the higher grade pricing.

COM Fabrics: COM Fabrics are provided by the customer. For pricing please refer GR2 grade price.

COM Fabric: See Appendix B
Fabric combination possible. Number of yards required:

| Code | Total (1 fabric) | Seat | Backrest |
|------|------------------|------|----------|
| RES | 2 | 1 | 2 |
| RESR | 2 | 1 | 2 |

CAL 133: Application of a non-flammable lining compliant with California Technical Bulletin 133 | See p. 10. (The non-flammable lining does not alone ensure the product certification).

Options

Polyurethane armrests



UR
\$124

Prices

RES - Patient armchair fixed high back

| Code | GRA | GR1 | GR2 | GR3 | GR4 | GR5 | GR6 | GR7 | GR8 | GR9 | GR10 | GR11 | GR12 | Cuir Leather |
|------|------|------|------|------|------|------|------|------|------|------|------|------|------|--------------|
| RES | 1383 | 1432 | 1498 | 1563 | 1645 | 1726 | 1809 | 1890 | 1971 | 2054 | 2135 | 2299 | 2463 | 2327 |

RESR - Patient armchair reclining high back

| Code | GRA | GR1 | GR2 | GR3 | GR4 | GR5 | GR6 | GR7 | GR8 | GR9 | GR10 | GR11 | GR12 | Cuir Leather |
|------|------|------|------|------|------|------|------|------|------|------|------|------|------|--------------|
| RESR | 1595 | 1644 | 1710 | 1775 | 1857 | 1938 | 2020 | 2102 | 2184 | 2266 | 2347 | 2511 | 2675 | 2538 |

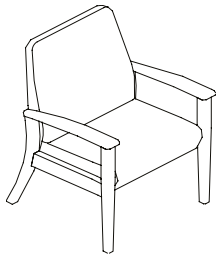
How to Order

| | | | | RES RESR | | UR FX (std) | Finishes See the Logiflex Color Guide | | | Fabric 1 (seat) See the Logiflex Graded-in List | | | Fabric 2 (backrest) See the Logiflex Graded-in List | | | | |
|----------------|-----------|----------|-------------|-------------|------------|----------------|--|----------|-----------|--|--------------|-------------|--|----------|--------------|-------------|-------------|
| LL | - | HOS1 | - | - | - | - | - | - | - | - | - | - | - | - | - | | |
| | | serie | | | code | arm cap | leg color | | supplier | pattern | color | supplier | pattern | color | | | |
| Example | LL | - | HOS1 | - | RES | - | UR | - | BK | - | ENNIS | LOFT | AQUA | - | ENNIS | LOFT | AQUA |

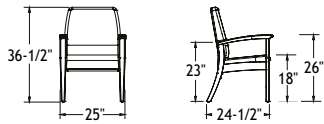
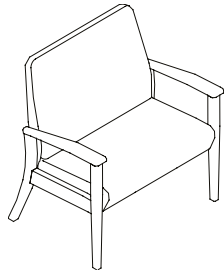
Seating

Hosta - Guest and Bariatric Armchairs

LFH VIS1

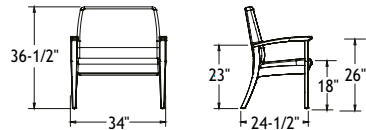


LFH BAR



Front view

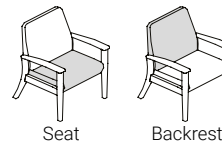
Side view



Front view

Side view

Combination of Colors



Seat

Backrest

Manufacturing Standards

- Molded middle back;
- Seat with springs;
- Wooden frame and armrests.

Weight capacity (BAR): 750lbs

Wood finishes: Available colors: White Wash **WW**, Golden Wheat **GW**, Sand **SD**, Apricot **AT**, Pecan **PN**, Brandy **BR**, Chestnut **CT**, Coffee **CF**, Espresso **ES**, Bordeaux **BO**, Black Wash **BW** and Bark **BK**.

Combination of fabrics: For two-tone upholstery, please use the higher grade pricing.

COM Fabrics: COM Fabrics are provided by the customer. For pricing please refer GR2 grade price.

COM Fabric: See Appendix B

Fabric combination possible. Number of yards required:

| Code | Total (1 fabric) | Seat | Backrest |
|------|------------------|------|----------|
| VIS1 | 2 | 1 | 1,75 |
| BAR | 3 | 1 | 2 |

CAL 133: Application of a non-flammable lining compliant with California Technical Bulletin 133 | See p. 10. (The non-flammable lining does not alone ensure the product certification).

Options

Polyurethane armrests



UR
\$124

Prices

VIS1 - Guest armchair

| Code | GRA | GR1 | GR2 | GR3 | GR4 | GR5 | GR6 | GR7 | GR8 | GR9 | GR10 | GR11 | GR12 | Cuir Leather |
|------|------|------|------|------|------|------|------|------|------|------|------|------|------|--------------|
| VIS1 | 1319 | 1355 | 1403 | 1450 | 1510 | 1570 | 1628 | 1688 | 1748 | 1808 | 1866 | 1986 | 2104 | 2005 |

BAR - Bariatric armchair

| Code | GRA | GR1 | GR2 | GR3 | GR4 | GR5 | GR6 | GR7 | GR8 | GR9 | GR10 | GR11 | GR12 | Cuir Leather |
|------|------|------|------|------|------|------|------|------|------|------|------|------|------|--------------|
| BAR | 1544 | 1593 | 1659 | 1724 | 1807 | 1887 | 1969 | 2052 | 2133 | 2215 | 2296 | 2461 | 2623 | 2487 |

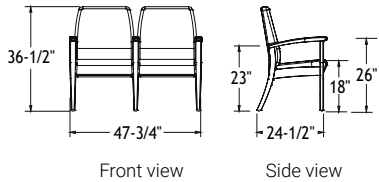
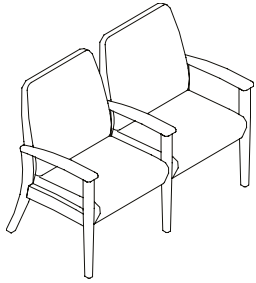
How to Order

| | | | | Finishes See the Logiflex Color Guide | | Fabric 1 (seat) See the Logiflex Graded-in List | | | Fabric 2 (backrest) See the Logiflex Graded-in List | | | | | | | | |
|----------------|-----------|----------|-------------|--|-------------|--|-----------|----------|--|----------|--------------|-------------|-------------|----------|--------------|-------------|-------------|
| LL | - | HOS1 | - | VIS BAR | UR FX (std) | - | - | - | - | - | - | - | - | - | | | |
| | | serie | code | | arm cap | leg color | | supplier | pattern | color | supplier | pattern | color | | | | |
| Example | LL | - | HOS1 | - | VIS | - | UR | - | BK | - | ENNIS | LOFT | AQUA | - | ENNIS | LOFT | AQUA |

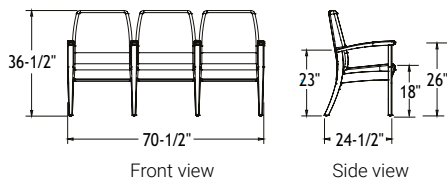
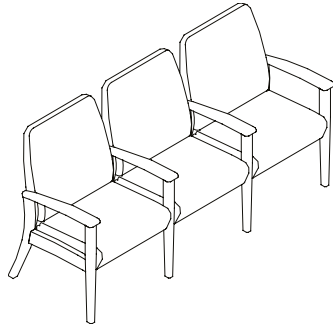
Seating

Hosta - Tandem Seating

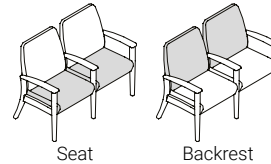
LFH VIS2A



LFH VIS3A



Combination of Colors



Manufacturing Standards

- Molded middle back;
- Seat with springs;
- Wooden frame and armrests.

Wood finishes: Available colors: White Wash **WW**, Golden Wheat **GW**, Sand **SD**, Apricot **AT**, Pecan **PN**, Brandy **BR**, Chestnut **CT**, Coffee **CF**, Espresso **ES**, Bordeaux **BO**, Black Wash **BW** and Bark **BK**.

Combination of fabrics: For two-tone upholstery, please use the higher grade pricing.

COM Fabrics: COM Fabrics are provided by the customer. For pricing please refer GR2 grade price.

COM Fabric: See Appendix B
Fabric combination possible. Number of yards required:

| Code | Total (1 fabric) | Seat | Backrest |
|-------|------------------|------|----------|
| VIS2A | 4 | 2 | 3,5 |
| VIS3A | 6 | 3 | 5,25 |

CAL 133: Application of a non-flammable lining compliant with California Technical Bulletin 133 | See p. 10. (The non-flammable lining does not alone ensure the product certification).

Options

Polyurethane armrests



UR
\$124

Prices

VIS2A - 2 seater

| Code | GRA | GR1 | GR2 | GR3 | GR4 | GR5 | GR6 | GR7 | GR8 | GR9 | GR10 | GR11 | GR12 | Cuir Leather |
|-------|------|------|------|------|------|------|------|------|------|------|------|------|------|--------------|
| VIS2A | 2388 | 2460 | 2554 | 2650 | 2769 | 2888 | 3007 | 3126 | 3245 | 3364 | 3482 | 3720 | 3958 | 3761 |

VIS3A - 3 seater

| Code | GRA | GR1 | GR2 | GR3 | GR4 | GR5 | GR6 | GR7 | GR8 | GR9 | GR10 | GR11 | GR12 | Cuir Leather |
|-------|------|------|------|------|------|------|------|------|------|------|------|------|------|--------------|
| VIS3A | 3447 | 3555 | 3698 | 3841 | 4019 | 4197 | 4375 | 4555 | 4733 | 4911 | 5089 | 5447 | 5803 | 5506 |

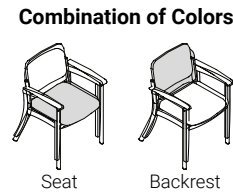
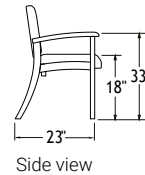
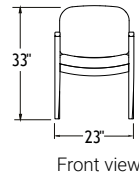
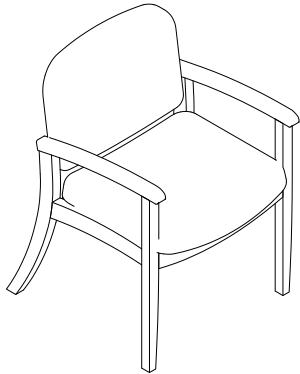
How to Order

| HOS2 HOS3 | | UR FX (std) | | Finishes See the Logiflex Color Guide | | | Fabric 1 (seat) See the Logiflex Graded-in List | | | Fabric 2 (backrest) See the Logiflex Graded-in List | | | | | | |
|-------------------|----------|----------------|-----------|--|----------|-----------|--|-----------|----------|--|-------------|-------------|----------|--------------|-------------|-------------|
| LL | - | VISA | - | leg color | supplier | pattern | color | supplier | pattern | color | - | - | | | | |
| serie | code | arm cap | leg color | supplier | pattern | color | supplier | pattern | color | | | | | | | |
| Example LL | - | HOS2 | - | VISA | - | UR | - | BK | - | ENNIS | LOFT | AQUA | - | ENNIS | LOFT | AQUA |

Seating

Hosta - General Purpose Chairs

LFH SAM



Combination of Colors

Manufacturing Standards

- Low molded backrest;
- Molded seat;
- Wooden frame and armrests.

Combination of fabrics: For two-tone upholstery, please use the higher grade pricing.

COM Fabrics: COM Fabrics are provided by the customer. For pricing please refer GR2 grade price.

COM Fabric: [See Appendix B](#)

Fabric combination possible. Number of yards required:

| Code | Total (1 fabric) | Seat | Backrest |
|------|------------------|------|----------|
| SAM | 1,25 | 1 | 0,75 |

Wood finishes: Available colors: White Wash **WW**, Golden Wheat **GW**, Sand **SD**, Apricot **AT**, Pecan **PN**, Brandy **BR**, Chestnut **CT**, Coffee **CF**, Espresso **ES**, Bordeaux **BO**, Black Wash **BW** and Bark **BK**.

Prices

| Code | GRA | GR1 | GR2 | GR3 | GR4 | GR5 | GR6 | GR7 | GR8 | GR9 | GR10 | GR11 | GR12 | Cuir Leather |
|------|-----|-----|-----|-----|-----|------|------|------|------|------|------|------|------|--------------|
| SAM | 885 | 903 | 927 | 951 | 981 | 1010 | 1040 | 1069 | 1100 | 1129 | 1160 | 1218 | 1278 | 1229 |

How to Order

Finishes
See the Logiflex Color Guide

Fabric 1 (seat)
See the Logiflex Graded-in List

Fabric 2 (backrest)
See the Logiflex Graded-in List

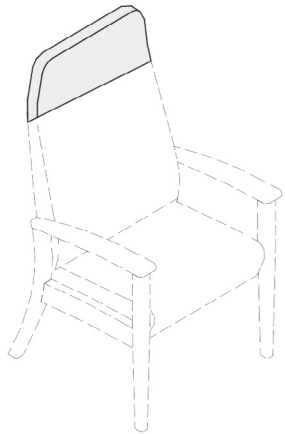
| | | | | | | | | | | | | | | |
|----|---|-------|---|------|---|---------|---|-----------|---|----------|---|---------|-------|--|
| LL | - | HOS1 | - | SAM | - | FX | - | | - | | - | | | |
| | | serie | | code | | arm cap | | leg color | | supplier | | pattern | color | |

| | | | | | | | | | | | | | | | | | |
|----------------|----|---|------|---|-----|---|----|---|----|---|-------|------|------|---|-------|------|------|
| Example | LL | - | HOS1 | - | SAM | - | FX | - | BK | - | ENNIS | LOFT | AQUA | - | ENNIS | LOFT | AQUA |
|----------------|----|---|------|---|-----|---|----|---|----|---|-------|------|------|---|-------|------|------|

Seating

Hosta - Slip-on Head Cover

HT



Manufacturing Standards

- Removable slip-on head cover;
- For patient armchairs only;
- 11" height.

COM Fabrics: COM Fabrics are provided by the customer. For pricing please refer GR2 grade price.

COM Fabric: [See Appendix B](#)
Fabric combination possible. Number of yards required:

| Code | Head |
|------|------|
| HT | 0,5 |

Prices

| Code | GRA | GR1 | GR2 | GR3 | GR4 | GR5 | GR6 | GR7 | GR8 | GR9 | GR10 | GR11 | GR12 | Cuir Leather |
|------|-----|-----|-----|-----|-----|-----|-----|-----|-----|-----|------|------|------|--------------|
| HT | 70 | 79 | 91 | 103 | 117 | 133 | 147 | 163 | 177 | 193 | 207 | 237 | 266 | 241 |

How to Order

Fabric
[See the Logiflex Graded-in List](#)

| | | | | | | | | | | |
|----|---|-------|---|------|---|------------|---|----------|---------|-------|
| LL | - | HOS1 | - | RES | - | HT | - | | | |
| | | serie | | code | | head cover | | supplier | pattern | color |

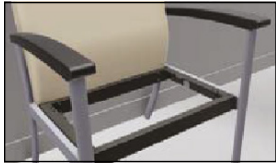
Example LL - HOS1 - RES - HT - ENNIS LOFT AQUA



Mika
Metal Armchairs

Manufacturing Standards: Mika Series

Construction | Armchairs*



The structural seat frame is made of welded steel for an increased strength and durability. Its assembly allows 3 levels of adjustments in height and 2 in deepness while the metal to metal connections allows individual components to be replaced without having to replace the entire chair.

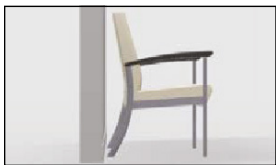
*Feature not available for the general purpose chair.

Easy Cleaning



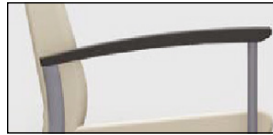
All Logilife chairs feature a vinyl moisture barrier with aerators that covers the underside of the seat. All models are also designed with a clearance space between the back and the cushion, facilitating maintenance and cleaning.

Wall Saver



Logilife chairs are specifically designed to prevent premature wear and damages by avoiding contacts between the back, the armrests and the surrounding walls.

Safe and Easy Ingress and Egress



The extended and rounded polyurethane armrests of Mika seats give the user optimal support for safe and easy ingress and egress.

Frame | Armchairs

The metal frame is in Satin Nickel welded steel. Logilife chairs are designed with molded backs and spring seat construction for optimal comfort and ergonomic support. Chair backs and seats utilize multi-density foam and legs are equipped with non-marking glides.

Weight Capacity | Bariatric Armchairs

Bariatric armchairs have a weight capacity of 750lbs.

California Technical Bulletin 117

The Celcor foam used meets or exceeds the California Technical Bulletin 117 norms.

Limited Lifetime Warranty

All Logilife furniture manufactured after August 1, 2012 is provided with a limited lifetime warranty.

Metal Finish

Metal finish for all Mika seats is Satin Nickel (SN)

Upholstery Specification

Please see section A-4 for upholstery specification.

Upholstery Specification

Logiflex offers its customers several methods of specifying the fabrics from different suppliers. Terms and conditions for approval and order are listed on [p. 10](#). It is also possible to combine more than one fabric for the same seat, at no additional cost. The price of the seat will be determined according to the highest grade of fabric.

Customized Products

The models presented here are suggestions: they can all be customized to meet individual requirements. In addition to designing and manufacturing entirely customized furniture, Logiflex offers to simply modifying the dimensions of the models presented or to use non-standard colors.

Options

CAL 133

Logilife seats may receive a non-flammable lining compliant with California Technical Bulletin 133. Please take note the non-flammable lining does not alone ensure the product certification. Consult [p. 10](#) for more information.

Removable Head Cover

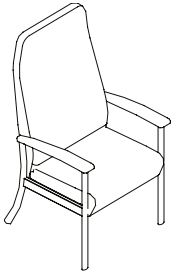


A removable slipcover for head area is available in order to reduce excessive wear of the back and facilitate cleaning.

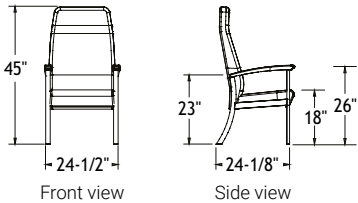
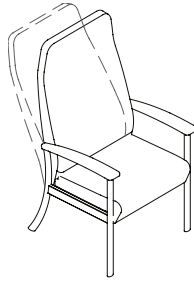
Seating

Mika - Patient Armchairs

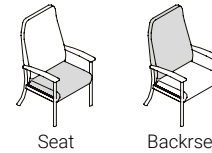
LFK RES



LFK RESR



Combination of Colors



Manufacturing Standards

- **RES:** fixed molded high back;
- **RESR:** reclining molded high back (Angle of incline $\pm 23^\circ$);
- Seat with springs;
- Metal frame and polyurethane armrests;
- White nylon levelers on front legs.

Combination of fabrics: For two-tone upholstery, please use the higher grade pricing.

COM Fabrics: COM Fabrics are provided by the customer. For pricing please refer GR2 grade price.

COM Fabric: See Appendix B
Fabric combination possible. Number of yards required:

| Code | Total (1 fabric) | Seat | Backrest |
|------|------------------|------|----------|
| RES | 2 | 1 | 2 |
| RESR | 2 | 1 | 2 |

CAL 133: Application of a non-flammable lining compliant with California Technical Bulletin 133 | See p. 10. (The non-flammable lining does not alone ensure the product certification).

Prices

RES

| Code | GRA | GR1 | GR2 | GR3 | GR4 | GR5 | GR6 | GR7 | GR8 | GR9 | GR10 | GR11 | GR12 | Cuir Leather |
|------|------|------|------|------|------|------|------|------|------|------|------|------|------|--------------|
| RES | 1754 | 1803 | 1868 | 1933 | 2016 | 2097 | 2179 | 2262 | 2342 | 2425 | 2506 | 2670 | 2834 | 2698 |

RESR

| Code | GRA | GR1 | GR2 | GR3 | GR4 | GR5 | GR6 | GR7 | GR8 | GR9 | GR10 | GR11 | GR12 | Cuir Leather |
|------|------|------|------|------|------|------|------|------|------|------|------|------|------|--------------|
| RESR | 1953 | 2002 | 2068 | 2133 | 2215 | 2296 | 2378 | 2461 | 2542 | 2623 | 2705 | 2870 | 3032 | 2896 |

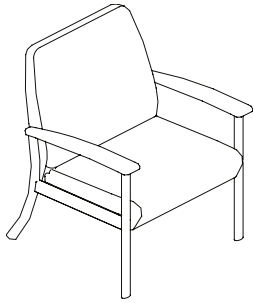
How to Order

| | | RES | | Fabric 1 (seat) <i>See the Logiflex Graded-in List</i> | | | Fabric 2 (backrest) <i>See the Logiflex Graded-in List</i> | | | | | | |
|----------------|----|-------|------|---|----------|---------|---|----------|---------|-------|-------|------|------|
| | | RESR | | | | | | | | | | | |
| LL | - | MIK1 | - | | | | | | | | | | |
| | | serie | | code | supplier | pattern | color | supplier | pattern | color | | | |
| Example | LL | - | MIK1 | - | RES | - | ENNIS | LOFT | AQUA | - | ENNIS | LOFT | AQUA |

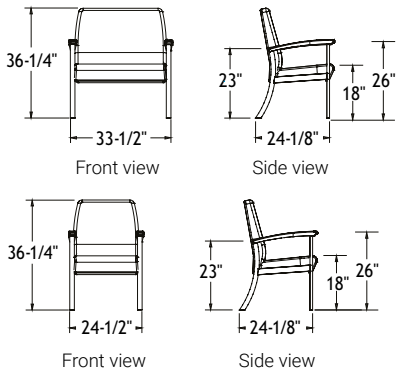
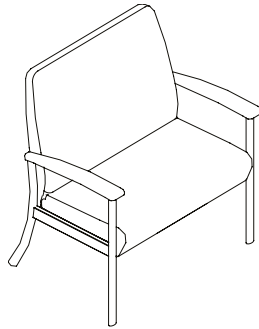
Seating

Mika - Guest and Bariatric Armchairs

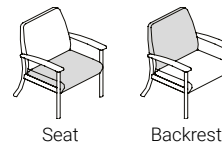
LFK VIS1



LFK BAR



Combination of Colors



Manufacturing Standards

- Molded middle back;
- Seat with springs;
- Metal frame and polyurethane armrests;
- White nylon levelers on front legs.

Combination of fabrics: For two-tone upholstery, please use the higher grade pricing.

COM Fabrics: COM Fabrics are provided by the customer. For pricing please refer GR2 grade price.

COM Fabric: See Appendix B
 Fabric combination possible. Number of yards required:

| Code | Total (1 fabric) | Seat | Backrest |
|------|------------------|------|----------|
| VIS1 | 2 | 1 | 1,75 |
| BAR | 3 | 1 | 2 |

CAL 133: Application of a non-flammable lining compliant with California Technical Bulletin 133 | See p. 10. (The non-flammable lining does not alone ensure the product certification).

Prices

VIS1

| Code | GRA | GR1 | GR2 | GR3 | GR4 | GR5 | GR6 | GR7 | GR8 | GR9 | GR10 | GR11 | GR12 | Cuir Leather |
|------|------|------|------|------|------|------|------|------|------|------|------|------|------|--------------|
| VIS1 | 1692 | 1728 | 1776 | 1823 | 1883 | 1943 | 2002 | 2061 | 2121 | 2181 | 2240 | 2359 | 2478 | 2378 |

BAR

| Code | GRA | GR1 | GR2 | GR3 | GR4 | GR5 | GR6 | GR7 | GR8 | GR9 | GR10 | GR11 | GR12 | Cuir Leather |
|------|------|------|------|------|------|------|------|------|------|------|------|------|------|--------------|
| BAR | 1906 | 1954 | 2020 | 2085 | 2167 | 2248 | 2331 | 2413 | 2494 | 2576 | 2657 | 2821 | 2985 | 2849 |

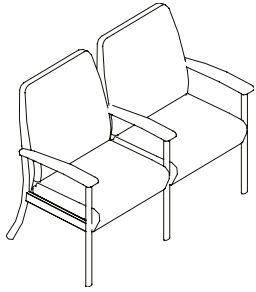
How to Order

| | | VIS BAR | Fabric 1 (seat) <i>See the Logiflex Graded-in List</i> | | | Fabric 2 (backrest) <i>See the Logiflex Graded-in List</i> | | | | | | | |
|----------------|-------|------------|---|---------|-------|---|---------|-------|------|---|-------|------|------|
| LL | - | MIK1 | - | - | - | - | - | - | | | | | |
| | serie | code | supplier | pattern | color | supplier | pattern | color | | | | | |
| Example | LL | - | MIK1 | - | VIS | - | ENNIS | LOFT | AQUA | - | ENNIS | LOFT | AQUA |

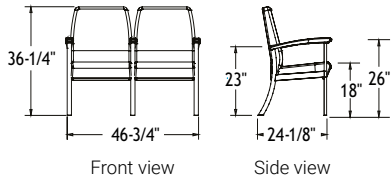
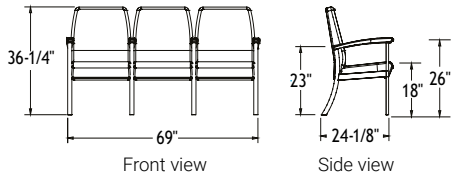
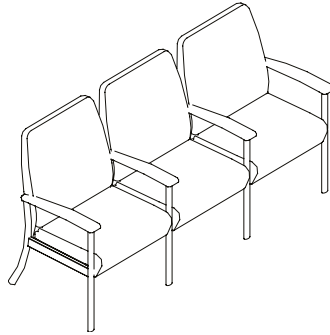
Seating

Mika - Tandem Seating

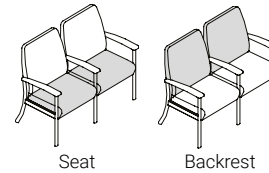
LFK VIS2A



LFK VIS3A



Combination of Colors



Manufacturing Standards

- Molded middle back;
- Seat with springs;
- Metal frame and polyurethane armrests;
- White nylon levelers on front legs.

Combination of fabrics: For two-tone upholstery, please use the higher grade pricing.

COM Fabrics: COM Fabrics are provided by the customer. For pricing please refer GR2 grade price.

COM Fabric: See Appendix B
Fabric combination possible. Number of yards required:

| Code | Total (1 fabric) | Seat | Backrest |
|-------|------------------|------|----------|
| VIS2A | 4 | 2 | 2 |
| VIS3A | 6 | 3 | 3 |

CAL 133: Application of a non-flammable lining compliant with California Technical Bulletin 133 | See p. 10. (The non-flammable lining does not alone ensure the product certification).

Prices

VIS2A - 2 seater

| Code | GRA | GR1 | GR2 | GR3 | GR4 | GR5 | GR6 | GR7 | GR8 | GR9 | GR10 | GR11 | GR12 | Cuir Leather |
|-------|------|------|------|------|------|------|------|------|------|------|------|------|------|--------------|
| VIS2A | 2845 | 2916 | 3011 | 3106 | 3225 | 3344 | 3463 | 3582 | 3701 | 3820 | 3939 | 4177 | 4415 | 4217 |

VIS3A - 3 seater

| Code | GRA | GR1 | GR2 | GR3 | GR4 | GR5 | GR6 | GR7 | GR8 | GR9 | GR10 | GR11 | GR12 | Cuir Leather |
|-------|------|------|------|------|------|------|------|------|------|------|------|------|------|--------------|
| VIS3A | 3987 | 4094 | 4237 | 4381 | 4559 | 4737 | 4915 | 5094 | 5273 | 5451 | 5629 | 5986 | 6343 | 6046 |

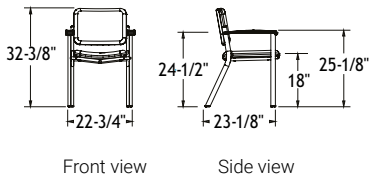
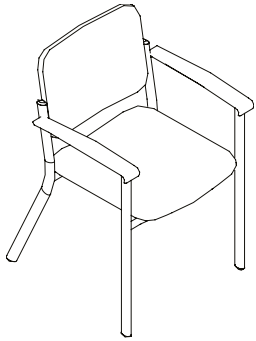
How to Order

| MIK2 MIK3 | | Fabric 1 (seat) <i>See the Logiflex Graded-in List</i> | | | | Fabric 2 (backrest) <i>See the Logiflex Graded-in List</i> | | | |
|----------------|-------|---|----------|---------|-------|---|---------|-------|------|
| LL | - | VISA | - | - | - | - | - | - | - |
| | serie | code | supplier | pattern | color | supplier | pattern | color | |
| Example | LL | MIK2 | VISA | ENNIS | LOFT | AQUA | ENNIS | LOFT | AQUA |

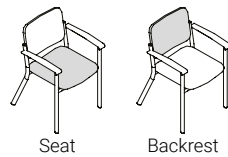
Seating

Mika - General Purpose Chairs

LFK SAM



Combination of Colors



Manufacturing Standards

- Molded middle back;
- Seat with springs;
- Metal frame and polyurethane armrests.

Combination of fabrics: For two-tone upholstery, please use the higher grade pricing.

COM Fabrics: COM Fabrics are provided by the customer. For pricing please refer GR2 grade price.

COM Fabric: [See Appendix B](#)

Fabric combination possible. Number of yards required:

| Code | Total (1 fabric) | Seat | Backrest |
|------|------------------|------|----------|
| SAM | 1,25 | 1 | 0,75 |

CAL 133: Application of a non-flammable lining compliant with California Technical Bulletin 133 | See p. 10. (The non-flammable lining does not alone ensure the product certification).

Prices

| Code | GRA | GR1 | GR2 | GR3 | GR4 | GR5 | GR6 | GR7 | GR8 | GR9 | GR10 | GR11 | GR12 | Cuir Leather |
|------|-----|-----|-----|-----|-----|-----|-----|-----|-----|-----|------|------|------|--------------|
| SAM | 722 | 741 | 764 | 788 | 819 | 848 | 879 | 907 | 937 | 967 | 997 | 1057 | 1117 | 1066 |

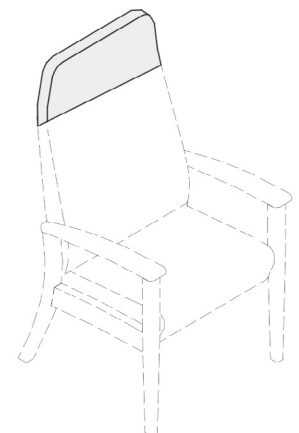
How to Order

| Fabric 1 (seat) See the Logiflex Graded-in List | | | | | | Fabric 2 (backrest) See the Logiflex Graded-in List | | | | | | | | | |
|--|----|-------|------|-----|------|--|-------|----------|---------|-------|-------|------|----------|---------|-------|
| LL | - | MIK1 | - | SAM | - | | | | | - | | | | | |
| | | serie | | | code | | | supplier | pattern | color | | | supplier | pattern | color |
| Example | LL | - | MIK1 | - | SAM | - | ENNIS | LOFT | AQUA | - | ENNIS | LOFT | AQUA | | |

Seating

Mika - Slip-on Head Cover

HT



Manufacturing Standards

- Removable slip-on head cover;
- For patient armchairs only;
- 11" height.

COM Fabrics: COM Fabrics are provided by the customer. For pricing please refer GR2 grade price.

COM Fabric: [See Appendix B](#)
Fabric combination possible. Number of yards required:

| Code | Head |
|------|------|
| HT | 0,5 |

Prices

| Code | GRA | GR1 | GR2 | GR3 | GR4 | GR5 | GR6 | GR7 | GR8 | GR9 | GR10 | GR11 | GR12 | Cuir Leather |
|------|-----|-----|-----|-----|-----|-----|-----|-----|-----|-----|------|------|------|--------------|
| HT | 70 | 79 | 91 | 103 | 117 | 133 | 147 | 163 | 177 | 193 | 207 | 237 | 266 | 241 |

How to Order

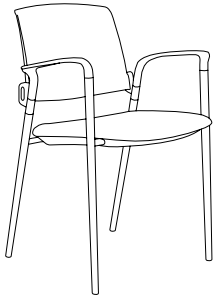
Fabric
[See the Logiflex Graded-in List](#)

| | | | | | | | | | | | |
|----------------|----|------|------|------------|-----|----------|---------|-------|-------|------|------|
| LL | - | HOS1 | - | RES | - | HT | - | | | | |
| serie | | code | | head cover | | supplier | pattern | color | | | |
| Example | LL | - | HOS1 | - | RES | - | HT | - | ENNIS | LOFT | AQUA |

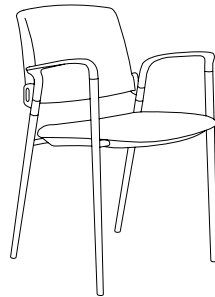
Seating

Stack6 - Visitor chair

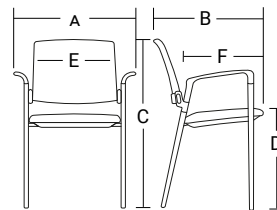
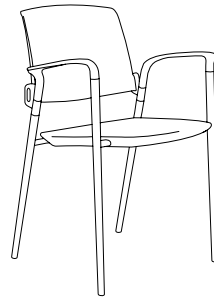
S6 - UP



S6 - UU



S6 - PP



| | |
|------------------|-------|
| A Chair width | 23,5" |
| B Chair depth | 21,5" |
| C Chair height | 31,5" |
| D Seat height | 17,5" |
| E Backrest width | 17" |
| F Seat depth | 17,5" |

Manufacturing Standards

Stack6 chair:

- 3 types of chairs:
 - UP: Plastic backrest, padded seat
 - UU: Backrest and padded seats
 - PP: Backrest and seat in plastic
- Seat with cascading edge;
- Black metal base (BL) with chrome details and black polyurethane armrests;
- Non-marking glides;
- Stackable up to 6;
- Weight and volume (for 3 chairs): 45 lbs / 16 ft³; Plastic finishes: Black (01) or Charcoal (10)

Fabric finishes: Selection of fabrics or vinyl by the customer from the supplier of their choice.

COM Fabrics: COM Fabrics are provided by the customer. For pricing please refer GR2 grade price.

Number of yards for COM Fabric:

[See Appendix B](#)

| Code | Total |
|------|-------|
| UP | 0,9 |
| UU | 0,9 |

Prices

S6

| Code | GRA | GR1 | GR2 | GR3 | GR4 | GR5 | GR6 | GR7 | GR8 | GR9 | GR10 | GR11 | GR12 | Cuir Leather |
|------|-----|-----|-----|-----|-----|-----|-----|-----|-----|-----|------|------|------|--------------|
| UP | 499 | 514 | 535 | 554 | 581 | 607 | 632 | 658 | 683 | 710 | 735 | 787 | 838 | 775 |
| UU | 587 | 609 | 636 | 663 | 697 | 733 | 767 | 801 | 835 | 869 | 903 | 973 | 1041 | 964 |

S6 - Plastic

| Code | |
|------|-----|
| PP | 403 |

How to Order

Combination of Colors

| LC | - | S6 | - | PP UP UU | - | 04 | - | FX | - | G | - | N | - | 01 10 | - | Fabric <i>See the Logiflex Graded-in List</i> | | |
|--------|---|------|---|----------------|---|------|---|------|---|------|---|--------------|---|----------------|---|--|---------|-------|
| series | | code | | structure | | base | | arms | | legs | | metal finish | | plastic finish | | supplier | pattern | color |

| | | | | | | | | | | | | | | | | | | | |
|----------------|----|---|----|---|----|---|----|---|----|---|---|---|---|---|----|---|-------|------|------|
| Example | LC | - | S6 | - | UU | - | 04 | - | FX | - | G | - | N | - | 10 | - | ENNIS | LOFT | AQUA |
|----------------|----|---|----|---|----|---|----|---|----|---|---|---|---|---|----|---|-------|------|------|



Lounge Seating

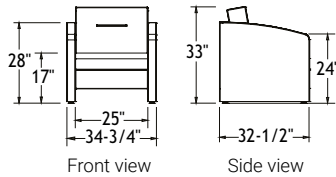
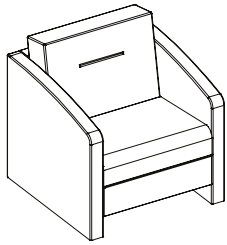
Lodging Furniture

Seating

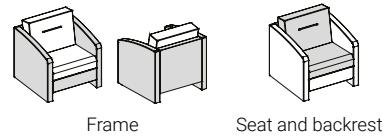
Flint - Armchair

FB1G

On levelers



Combination of Colors



Manufacturing Standards

- Single top stitching;
- 9 GA springs for the seat and 11 GA for the backrest;
- Medium-density foam on seat and backrest;
- Firm density foam on the top of the armrests;
- Hardwood plywood structure.

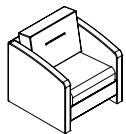
COM Fabrics: COM Fabrics are provided by the customer. For pricing please refer GR2 grade price.

Number of yards for COM fabric: [See Appendix B](#)

| Code | Total (1 fabric) | Frame | Seat and backrest |
|------|------------------|-------|-------------------|
| FB1G | 5,25 | 4,1 | 2 |

Options

Cleaning space



\$168

Prices

| Code | GRA | GR1 | GR2 | GR3 | GR4 | GR5 | GR6 | GR7 | GR8 | GR9 | GR10 | GR11 | GR12 | Cuir Leather |
|-------|------|------|------|------|------|------|------|------|------|------|------|------|------|--------------|
| FB1 G | 1698 | 1800 | 1938 | 2074 | 2245 | 2416 | 2587 | 2759 | 2929 | 3100 | 3271 | 3613 | 3955 | 3671 |

How to Order

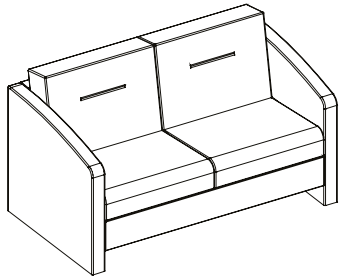
| | | | | | | | + | | | | | | | | |
|----------------|----|------|-----|------|---|----------------|----------|---|-------|----------|---|-------|-------|------|------|
| | | | | | | | SPEC | Fabric 1 (frame) See the Logiflex Graded-in List | | | Fabric 2 (seat and backrest) See the Logiflex Graded-in List | | | | |
| LL | - | FB1 | - | G | - | | - | | | | - | | | | |
| serie | | code | | legs | | cleaning space | supplier | pattern | color | supplier | pattern | color | | | |
| Example | LL | - | FB1 | - | G | - | SPEC | - | ENNIS | LOFT | AQUA | - | ENNIS | LOFT | AQUA |

Seating

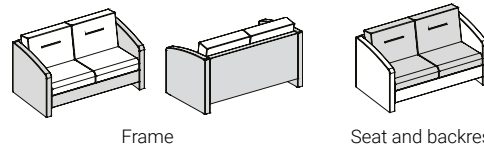
Flint - Loveseat

FB2G

On levelers



Combination of Colors



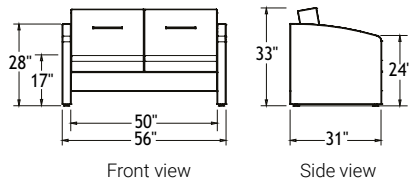
Manufacturing Standards

- Single top stitching;
- 9 GA springs for the seat and 11 GA for the backrest;
- Medium-density foam on seat and backrest;
- Firm density foam on the top of the armrests;
- Hardwood plywood structure.

COM Fabrics: COM Fabrics are provided by the customer. For pricing please refer GR2 grade price.

Number of yards for COM fabric: [See Appendix B](#)

| Code | Total (1 fabric) | Frame | Seat and backrest |
|------|------------------|-------|-------------------|
| FB2G | 7,4 | 4,3 | 3,6 |



Prices

| Code | GRA | GR1 | GR2 | GR3 | GR4 | GR5 | GR6 | GR7 | GR8 | GR9 | GR10 | GR11 | GR12 | Cuir Leather |
|-------|------|------|------|------|------|------|------|------|------|------|------|------|------|--------------|
| FB2 G | 2429 | 2568 | 2752 | 2937 | 3166 | 3397 | 3628 | 3858 | 4089 | 4320 | 4550 | 5011 | 5471 | 5087 |

How to Order

Fabric 1 (frame)
See the Logiflex Graded-in List

Fabric 2 (seat and backrest)
See the Logiflex Graded-in List

| LL | - | FB2 | - | G | - | | | | - | | | |
|-------|---|------|---|------|---|----------|---------|-------|---|----------|---------|-------|
| serie | | code | | legs | | supplier | pattern | color | | supplier | pattern | color |

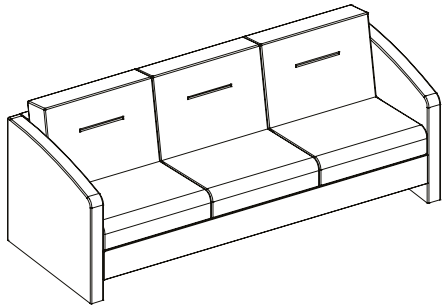
Example LL - FB2 - G - ENNIS LOFT AQUA - ENNIS LOFT AQUA

Seating

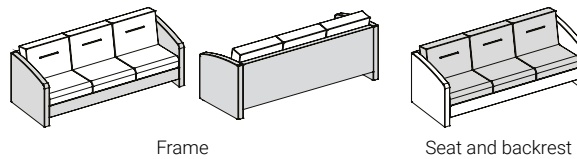
Flint - Sofa

FB3G

On levelers



Combination of Colors



Frame

Seat and backrest

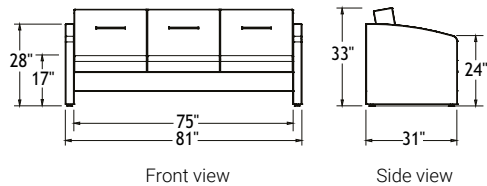
Manufacturing Standards

- Single top stitching;
- 9 GA springs for the seat and 11 GA for the backrest;
- Medium-density foam on seat and backrest;
- Firm density foam on the top of the armrests;
- Hardwood plywood structure.

COM Fabrics: COM Fabrics are provided by the customer. For pricing please refer GR2 grade price.

Number of yards for COM fabric: [See Appendix B](#)

| Code | Total (1 fabric) | Frame | Seat and backrest |
|------|------------------|-------|-------------------|
| FB3G | 9,8 | 5,2 | 5,7 |



Front view

Side view

Prices

| Code | GRA | GR1 | GR2 | GR3 | GR4 | GR5 | GR6 | GR7 | GR8 | GR9 | GR10 | GR11 | GR12 | Cuir Leather |
|-------|------|------|------|------|------|------|------|------|------|------|------|------|------|--------------|
| FB3 G | 3261 | 3447 | 3698 | 3948 | 4260 | 4572 | 4884 | 5196 | 5509 | 5822 | 6134 | 6758 | 7382 | 6862 |

How to Order

Fabric 1 (frame)
See the Logiflex Graded-in List

Fabric 2 (seat and backrest)
See the Logiflex Graded-in List

| | | | | | | | | | | | | | | |
|-------|---|------|---|------|---|----------|---------|-------|--|----------|---------|-------|--|--|
| LL | - | FB3 | - | G | - | | | | | | | | | |
| serie | | code | | legs | | supplier | pattern | color | | supplier | pattern | color | | |

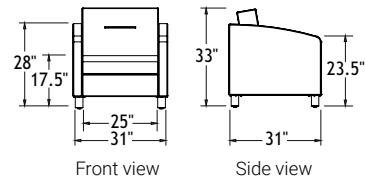
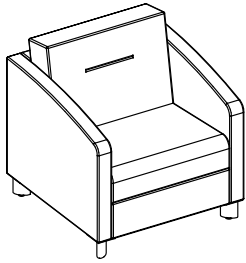
| | | | | | | | | | | | | | | |
|----------------|----|---|-----|---|---|---|-------|------|------|---|-------|------|------|--|
| Example | LL | - | FB3 | - | G | - | ENNIS | LOFT | AQUA | - | ENNIS | LOFT | AQUA | |
|----------------|----|---|-----|---|---|---|-------|------|------|---|-------|------|------|--|

Seating

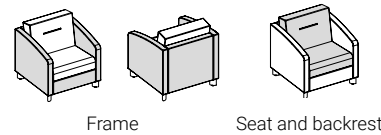
Flint - Armchair

FB1OVAM

4 oval metal corner legs on levelers



Combination of Colors



Manufacturing Standards

- Single top stitching;
- 9 GA springs for the seat and 11 GA for the backrest;
- Medium-density foam on seat and backrest;
- Firm density foam on the top of the armrests;
- Hardwood plywood structure.

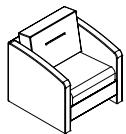
COM Fabrics: COM Fabrics are provided by the customer. For pricing please refer GR2 grade price.

Number of yards for COM fabric: [See Appendix B](#)

| Code | Total (1 fabric) | Frame | Seat and backrest |
|---------|------------------|-------|-------------------|
| FB1OVAM | 5,25 | 4,1 | 2 |

Options

Cleaning space



\$168

Prices

| Code | GRA | GR1 | GR2 | GR3 | GR4 | GR5 | GR6 | GR7 | GR8 | GR9 | GR10 | GR11 | GR12 | Cuir Leather |
|----------|------|------|------|------|------|------|------|------|------|------|------|------|------|--------------|
| FB1 OVAM | 1698 | 1800 | 1938 | 2074 | 2245 | 2416 | 2587 | 2759 | 2929 | 3100 | 3271 | 3613 | 3955 | 3671 |

How to Order



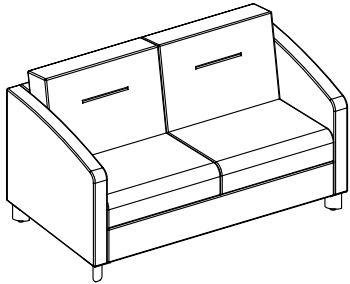
| BL SN (std) | | | | SPEC | | | Fabric 1 (frame) <i>See the Logiflex Graded-in List</i> | | | Fabric 2 (seat and backrest) <i>See the Logiflex Graded-in List</i> | | | | |
|----------------|---|-----------|---|------------|---|--------------------------|--|-----------|---------|--|----------|--------------|-------------|-------------|
| LL | - | FB1 | - | OVAM | - | | - | | - | | - | | | |
| serie | | code | | legs | | metal finish (App. A) | cleaning space | supplier | pattern | color | supplier | pattern | color | |
| Example | | LL | | FB1 | | OVAM | | SN | | SPEC | | ENNIS | LOFT | AQUA |

Seating

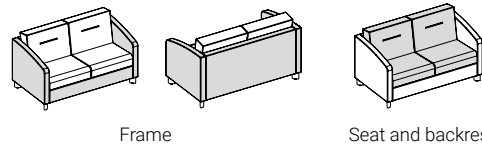
Flint - Loveseat

FB2OVAM

4 oval metal corner legs on levelers



Combination of Colors



Manufacturing Standards

- Single top stitching;
- 9 GA springs for the seat and 11 GA for the backrest;
- Medium-density foam on seat and backrest;
- Firm density foam on the top of the armrests;
- Hardwood plywood structure.

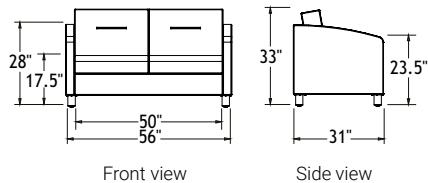
COM Fabrics: COM Fabrics are provided by the customer. For pricing please refer GR2 grade price.

Number of yards for COM fabric: [See Appendix B](#)

| Code | Total (1 fabric) | Frame | Seat and backrest |
|---------|------------------|-------|-------------------|
| FB2OVAM | 7,4 | 4,3 | 3,6 |

Prices

| Code | GRA | GR1 | GR2 | GR3 | GR4 | GR5 | GR6 | GR7 | GR8 | GR9 | GR10 | GR11 | GR12 | Cuir Leather |
|----------|------|------|------|------|------|------|------|------|------|------|------|------|------|--------------|
| FB2 OVAM | 2429 | 2568 | 2752 | 2937 | 3166 | 3397 | 3628 | 3858 | 4089 | 4320 | 4550 | 5011 | 5471 | 5087 |



How to Order

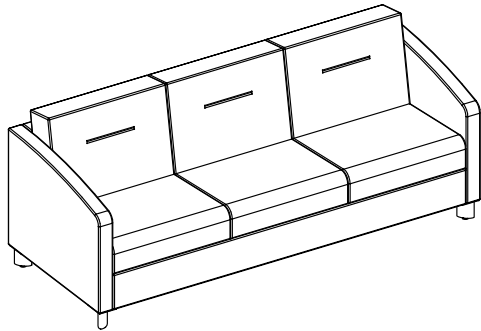
| | | | | BL SN (std) | Fabric 1 (frame) <i>See the Logiflex Graded-in List</i> | | | Fabric 2 (seat and backrest) <i>See the Logiflex Graded-in List</i> | | | | | | | | |
|----------------|---|------|---|----------------|--|--------------------------|----------|--|-------|----------|---------|-------|---|-------|------|------|
| LL | - | FB2 | - | OVAM | - | | | | - | | | | | | | |
| serie | | code | | legs | | metal finish (App. A) | supplier | pattern | color | supplier | pattern | color | | | | |
| Example | | LL | - | FB2 | - | OVAM | - | SN | - | ENNIS | LOFT | AQUA | - | ENNIS | LOFT | AQUA |

Seating

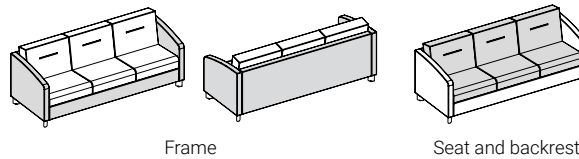
Flint - Sofa

FB3OVAM

4 oval metal corner legs on levelers



Combination of Colors



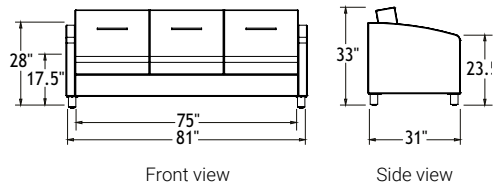
Manufacturing Standards

- Single top stitching;
- 9 GA springs for the seat and 11 GA for the backrest;
- Medium-density foam on seat and backrest;
- Firm density foam on the top of the armrests;
- Hardwood plywood structure.

COM Fabrics: COM Fabrics are provided by the customer. For pricing please refer GR2 grade price.

Number of yards for COM fabric: [See Appendix B](#)

| Code | Total (1 fabric) | Frame | Seat and backrest |
|---------|------------------|-------|-------------------|
| FB3OVAM | 9,8 | 5,2 | 5,7 |



Prices

| Code | GRA | GR1 | GR2 | GR3 | GR4 | GR5 | GR6 | GR7 | GR8 | GR9 | GR10 | GR11 | GR12 | Cuir Leather |
|----------|------|------|------|------|------|------|------|------|------|------|------|------|------|--------------|
| FB3 OVAM | 3261 | 3447 | 3698 | 3948 | 4260 | 4572 | 4884 | 5196 | 5509 | 5822 | 6134 | 6758 | 7382 | 6862 |

How to Order

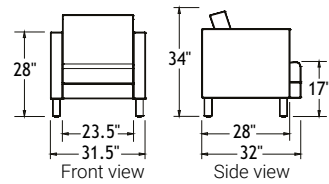
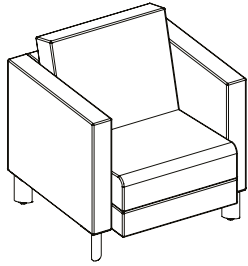
| LL | | FB3 | | OVAM | | Fabric 1 (frame) <i>See the Logiflex Graded-in List</i> | | | Fabric 2 (seat and backrest) <i>See the Logiflex Graded-in List</i> | | | | | | |
|---------|------|------|--------------------------|----------|---------|--|----------|---------|--|------|------|---|-------|------|------|
| serie | code | legs | metal finish (App. A) | supplier | pattern | color | supplier | pattern | color | | | | | | |
| Example | LL | - | FB3 | - | OVAM | - | SN | - | ENNIS | LOFT | AQUA | - | ENNIS | LOFT | AQUA |

Seating

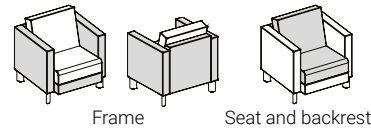
Taylor Armchair

TAY1

Armchair



Combination of Colors



Manufacturing Standards

- Elastic straps on seat;
- Medium-density foam;
- Frame made out of recycled and recyclable particles;
- Oval metal legs 6" H, satin nickel finish.

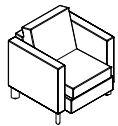
COM Fabrics: COM Fabrics are provided by the customer. For pricing please refer GR2 grade price.

Number of yards for COM Fabric: [See Appendix B](#)

| Code | Total | Frame | Seat and backrest |
|------|-------|-------|-------------------|
| TAY1 | 5,75 | 3,75 | 2 |

Options

Cleaning space



\$168

Prices

| Code | GRA | GR1 | GR2 | GR3 | GR4 | GR5 | GR6 | GR7 | GR8 | GR9 | GR10 | GR11 | GR12 | Cuir Leather |
|------|------|------|------|------|------|------|------|------|------|------|------|------|------|--------------|
| TAY1 | 1312 | 1383 | 1478 | 1574 | 1692 | 1812 | 1930 | 2050 | 2168 | 2288 | 2406 | 2644 | 2882 | 2684 |

How to Order

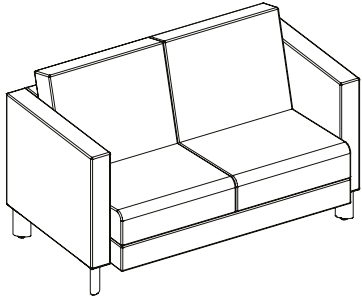
| | | | | + | Fabric 1 (frame) <i>See the Logiflex Graded-in List</i> | | | Fabric 2 (seat and backrest) <i>See the Logiflex Graded-in List</i> | | | | | |
|----------------|----|------|------|----------------|--|---------|-------|--|---------|-------|-------|------|------|
| LL | - | TAY1 | - | SPEC | - | | | | - | | | | |
| serie | | code | | cleaning space | supplier | pattern | color | supplier | pattern | color | | | |
| Example | LL | - | TAY1 | - | SPEC | - | ENNIS | LOFT | AQUA | - | ENNIS | LOFT | AQUA |

Seating

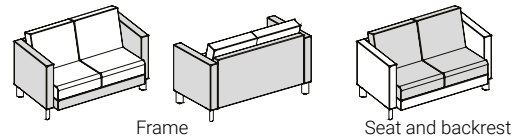
Taylor Loveseat

TAY2

Loveseat



Combination of Colors



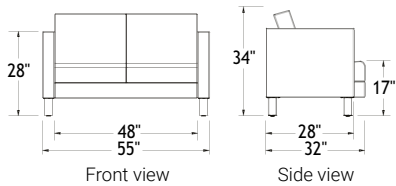
Manufacturing Standards

- Elastic straps on seat;
- Medium-density foam;
- Frame made out of recycled and recyclable particles;
- Oval metal legs 6" H, satin nickel finish.

COM Fabrics: COM Fabrics are provided by the customer. For pricing please refer GR2 grade price.

Number of yards for COM fabric: [See Appendix B](#)

| Code | Total | Frame | Seat and backrest |
|------|-------|-------|-------------------|
| TAY2 | 7 | 4 | 3 |



Prices

| Code | GRA | GR1 | GR2 | GR3 | GR4 | GR5 | GR6 | GR7 | GR8 | GR9 | GR10 | GR11 | GR12 | Cuir Leather |
|------|------|------|------|------|------|------|------|------|------|------|------|------|------|--------------|
| TAY2 | 1763 | 1861 | 1992 | 2123 | 2287 | 2450 | 2614 | 2777 | 2941 | 3105 | 3268 | 3595 | 3922 | 3650 |

How to Order

Fabric 1 (frame)
[See the Logiflex Graded-in List](#)

Fabric 2 (seat and backrest)
[See the Logiflex Graded-in List](#)

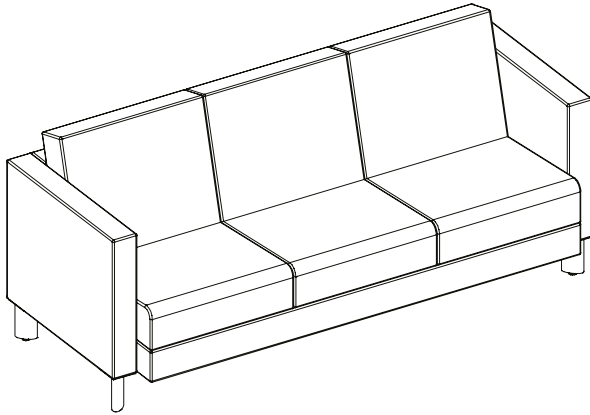
| LL | - | TAY2 | - | | | | - | | | |
|-------|---|------|---|----------|---------|-------|---|----------|---------|-------|
| serie | | code | | supplier | pattern | color | | supplier | pattern | color |

Example LL - TAY2 - ENNIS LOFT AQUA - ENNIS LOFT AQUA

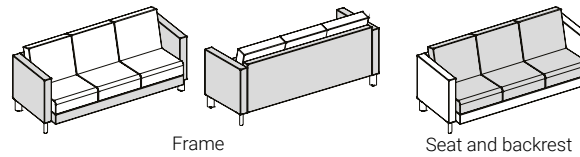
Seating

Taylor Sofa

TAY3

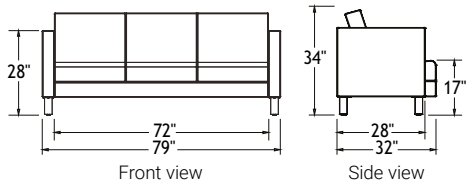


Combination of Colors



Frame

Seat and backrest



Manufacturing Standards

- Elastic straps on seat;
- Medium-density foam;
- Frame made out of recycled and recyclable particles;
- Oval metal legs 6" H, satin nickel finish.

COM Fabrics: COM Fabrics are provided by the customer. For pricing please refer GR2 grade price.

Number of yards for COM fabric: [See Appendix B](#)

| Code | Total | Frame | Seat and backrest |
|------|-------|-------|-------------------|
| TAY3 | 9,25 | 5 | 4,25 |

Prices

| Code | GRA | GR1 | GR2 | GR3 | GR4 | GR5 | GR6 | GR7 | GR8 | GR9 | GR10 | GR11 | GR12 | Cuir Leather |
|------|------|------|------|------|------|------|------|------|------|------|------|------|------|--------------|
| TAY3 | 2295 | 2457 | 2670 | 2884 | 3153 | 3420 | 3688 | 3955 | 4223 | 4491 | 4759 | 5294 | 5830 | 5383 |

How to Order

Fabric 1 (frame)
See the Logiflex Graded-in List

Fabric 2 (seat and backrest)
See the Logiflex Graded-in List

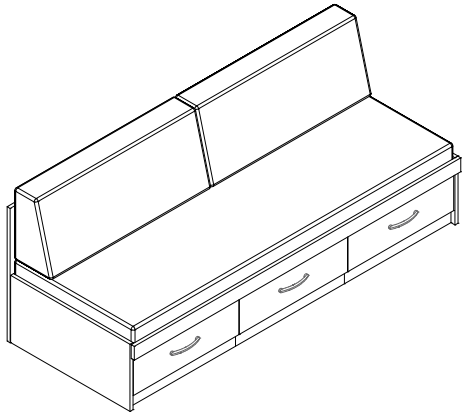
| | | | | | | | | | | |
|-------|---|------|---|----------|---------|-------|---|----------|---------|-------|
| LL | - | TAY3 | - | | | | - | | | |
| serie | | code | | supplier | pattern | color | | supplier | pattern | color |

Example LL - TAY3 - ENNIS LOFT AQUA - ENNIS LOFT AQUA

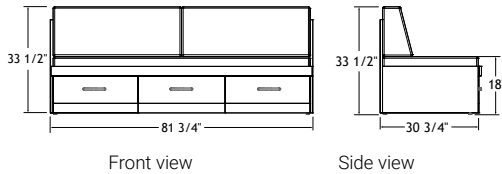
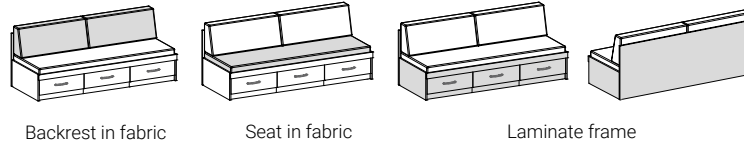
Seating

Day Bed

LFC SPEC (DBED)



Combination of Colors



Manufacturing Standards

- 3/4" laminate frame;
- Medium density foam;
- White nylon levelers;
- Handles H161.

Combination of fabrics: For two-tone upholstery, please use the higher grade pricing.

COM Fabrics: COM Fabrics are provided by the customer. For pricing please refer GR2 grade price.

COM Fabric: [See Appendix B](#)
Fabric combination possible. Number of yards required:

| Code | Total | Backrest | Seat |
|-------------|-------|----------|------|
| SPEC (DBED) | 7,25 | 2,5 | 4,75 |

Prices

| Code | GRA | GR1 | GR2 | GR3 | GR4 | GR5 | GR6 | GR7 | GR8 | GR9 | GR10 | GR11 | GR12 | Cuir Leather |
|------------|------|------|------|------|------|------|------|------|------|------|------|------|------|--------------|
| SPEC(DBED) | 4360 | 4490 | 4663 | 4835 | 5049 | 5265 | 5481 | 5697 | 5912 | 6127 | 6344 | 6774 | 7206 | 6847 |

How to Order

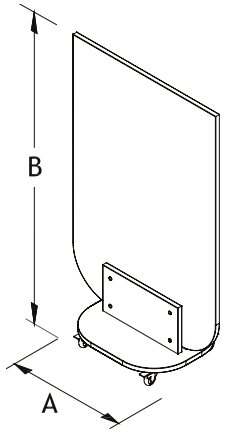
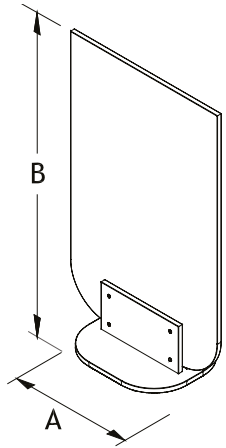
Fabric
[See the Logiflex Graded-in List](#)

| SS | SPEC(DBED) | | | |
|-------------------|-------------------|----------|---------|-------|
| series | code | supplier | pattern | color |
| Example SS | SPEC(DBED) | ENNIS | LOFT | AQUA |

Freestanding Screens

FS - on levelers

FSR - on casters



Manufacturing Standards

- Freestanding screen with:
- 1" melamine screen panel with rounded bottom corners;
- 1" melamine base with exposed mounting hardware;
- 20 "D x 24" W panel base with rounded corners;
- Assembly required.
-
- **FS:** Base on levelers.
- **FSR:** Base on translucent casters with brakes.

Prices

FS - Base on levelers

| Dimensions | |
|------------|-----|
| A | B |
| 36 | 60 |
| | 549 |

FSR - Base on casters

| Dimensions | |
|------------|-----|
| A | B |
| 36 | 60 |
| | 605 |

How to Order

| QSM | 36 | FS | 60 |
|--------|-------|---------|--------|
| series | width | product | height |
| QSM | 36 | FS | 60 |

Example QSM 36 FS 60

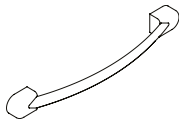
Accessories

Accessories

Handles

H160

Handle

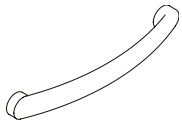


- Finish: Satin nickel;
- Drilling distance between holes: 160 mm c/c

| Code | \$ | Description |
|------|----|-------------|
| H160 | 20 | |

H161

Handle

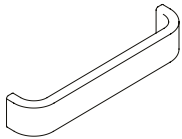


- Finish: Satin nickel;
- Drilling distance between holes: 160 mm c/c

| Code | \$ | Description |
|------|----|-------------|
| H160 | 20 | |

H162

Handle



- Finish: Satin nickel;
- Drilling distance between holes: 160 mm c/c

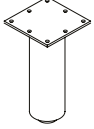
| Code | \$ | Description |
|------|----|-------------|
| H162 | 20 | |

Accessories

Legs

TU6SN

Legs

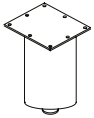


- 6" H tubular metal leg 1 3/4" diameter, satin nickel finish, with height adjustable, non-marking glides.

| Code | \$ |
|-------|------------------|
| TU6SN | Price on request |

OVAM6SN

Legs

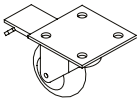


- 6" H metal oval leg, satin nickel finish, with height adjustable, non-marking glides.

| Code | \$ |
|---------|------------------|
| OVAM6SN | Price on request |

WF

Locking Casters



- Locking, swivel polyurethane casters (SX 64mm).

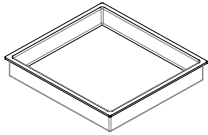
| Code | \$ |
|------|-------------|
| WF | 69 Set of 4 |

Accessories

Miscellaneous Accessories

BP

Drawer Liner

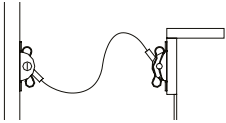


- White plastic drawer liner / For top drawer only.

| Code | \$ | Description |
|------|----|-------------|
| BP | | 114 |

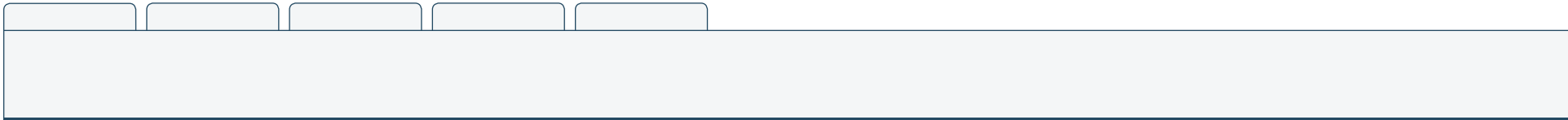
DECR

Anti-Tipping Kit



- Anti-tipping kit made from steel and galvanized steel cable;
- Aeronautical grade galvanized steel cable;
 - 6-7/8" cable length
 - 1/25" diameter cable
- Load capacity of 400 lbs;
- Equipped with pins to allow the furniture to be moved without damaging the DECR device;
- Tested according to ASTM test methods.

| Code | \$ | Description |
|------|----|-------------|
| DECR | 61 | |



As our product line is constantly evolving and expanding, we recommend that you visit logiflex.ca for updates.

logiflex

1235 St-Roch N., Sherbrooke QC J1N 0H2 Canada
T : 1.877.864.9323 | F : 1.800.474.7830 | logiflex.ca

